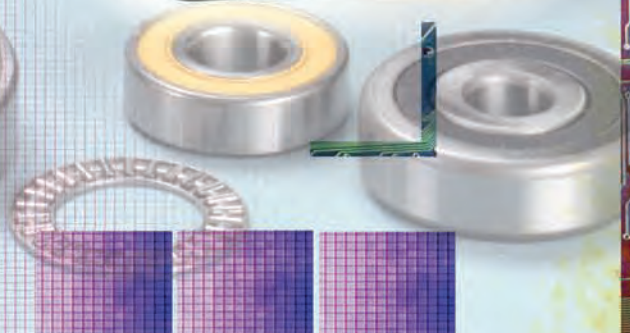
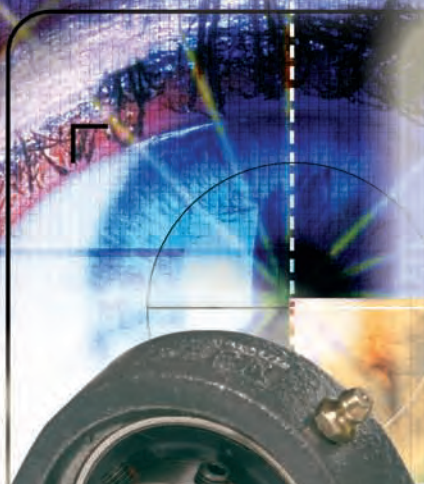


Mounted Ball Bearing Units

0101110110110110110110110
10101110110110110110110110
10101110110110110110110110
10101110110110110110110110



10101110110110110110110110
10101110110110110110110110
10101110110110110110110110
10101110110110110110110110



PEER Vision

PEER is a dynamic and customer focused bearing manufacturer delivering valued solutions to a global market...

- Valued bearing solutions for agricultural, electrical, fluid, HVAC, lawn & garden, material handling and transmission industries
- Global application engineering support
- TS-16949 certified manufacturing facilities
- Dedicated research and development center
- Testing capabilities include: fatigue life, noise/vibration, mud slurry and salt spray testing
- Flexible manufacturing to allow for low to high volume production
- Customer service excellence



Standard Mounted Units



Wash Down Units



Engineering

Introduction	GRIP-IT Highlights	2-3	Hanger Units	UCHA	80	
	HVAC Highlights	4-5		GRHA	81	
	AgXtreme Highlights	6-7	Cylindrical Cartridge	UCC	82	
	Corrosion Resistant Highlights	8-9		GRC	83	
Pillow Blocks	UCP	10-11	Bearing Inserts	Casted Specials	84	
	UCLP	12		Bearing/Seal Feature Chart	85	
	UCPX	13		UC	86-87	
	HCP	14-15		UCX	88-89	
	HCLP	16-17		HC/HCR	90-91	
	GRP	18-19		GR	92-93	
	GRLP	20-21		SER	94	
	FHSP-G	22		SER-ZSFF/SER-ZMKFF	95	
	FHP-G	23		GER	96	
	FHSLP-G	24		GER-ZSFF/GER-ZMKFF	97	
	FHLP-G	25		FHS-G/FHS	98	
	FHSPWC-G/FHPWC-G	26		FHSR	99	
	FHSPW-G/FHPW-G	27		FH-G/FH	100	
	UCPA	28		FHR	101	
	UCPAS	29		FHRL/FHL	102	
	FHSPRZ/FHPRZ	30				
	FHSPZ/FHPPZ	31				
	FHSPBPFZ/FHPBPFZ	32				
	SPECIALS	33				
	4-Bolt Flanges	UCF		34-35	Material Specs for Corrosion Resistant Units	
UCFX		36-37	All Stainless Steel	SSUCP Pillow Block	104	
HCFS		38-39		SSUCPAS Tapped Base Pillow Block	105	
GRF		40-41		SSUCF 4-Bolt Flange	106	
FHSF-G		42		SSUCFB 3-Bolt Flange	107	
FHF-G		43		SSUCFT 2-bolt Flange	108	
FHSFJ-G		44		SSUCHA Hanger Unit	109	
FHF4X-G/HCF4X		45		SSUCT Take Up Unit	109	
UCFC		46-47				
FHSPFZ		53		Stainless Insert Thermoplastic Housing	SUCP-PBT Pillow Block	110
FHPFZ		54			SUCPAS-PBT Tapped Base Pillow Block	111
					SUCF-PBT 4-Bolt Flange	112
					SUCFB-PBT 3-Bolt Flange	113
		SUCFT-PBT 2-Bolt Flange			114	
		SUCT-PBT Take Up Unit	115			
3-Bolt Flanges	UCFB	48	SUCHA-PBT Hanger Unit	115		
	GRFB	49	Zinc Insert Thermoplastic Housing	ZUCP-PBT Pillow Block	110	
	FHSF3X-G	50		ZUCPAS-PBT Tapped Base Pillow Block	111	
	FHF3X-G	51		ZUCF-PBT 4-Bolt Flange	112	
	FHSF3C-G/FHF3C-G	52		ZUCFB-PBT 3-Bolt Flange	113	
	FHSPFZ	53		ZUCFT-PBT 2-Bolt Flange	114	
	FHPFZ	54		ZUCT-PBT Take Up Unit	115	
FHSPFZ/FHPFZ	55	ZUCHA-PBT Hanger Unit		115		
2-Bolt Flanges	UCFT	56-57	Corrosion Resistant Inserts	SUC Stainless Steel Insert	117	
	UCFTX	58-59		ZUC Zinc Plated Insert	118	
	HCFTS	60-61		UC-BLK Black Oxide Plated Insert	119	
	GRFT	62-63		SSER Stainless Steel Insert	120	
	FHSFT-G	64		ZSER Zinc Plated Insert	120	
	FHFT-G	65				
	FHFTJ-G	66		Chemical Resistance Table		121
	FHSLF-G/FHFLF-G	67		Engineering Data	Engineering Data	122-147
	FHSFD-G/FHFD-G	68			Interchange	148-151
	FHSFLCTQ-G/FHFLCTQ-G	69				
	FHSFX-G/FHFX-G	70				
	FHSPFLZ/FHPFLZ	71				
	FHSR-4X700/FHR-4X700	72				
	FHSR-2FM/FHSR-2NCFM	73				
	RCSMRFZ-S/RCSMRFZ-L	74				
Rubber Cartridge	FHSBR/FHBR/LCR/LRCR/RCR	75				
	RCSM-S/RCSM-L/LRCSM-L	76				
	RCSM-UCR/RCSM-GRR	77				
Take Ups	UCT	78				
	GRT	79				

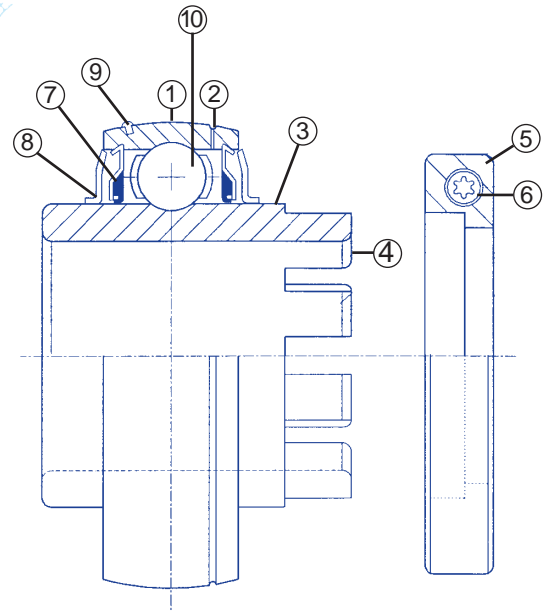
GRIP-IT

MEANS LONGER LASTING, IMPORTANT MAINTENANCE

PEER's GR Series

GRIP-IT bearings are ideal for bi-directional applications and can replace both set screw locking and eccentric collar locking bearings. Available in a full range of sizes, the new "GR" series self aligning bearings can be used in all standard cast iron, malleable and pressed steel housings making it a drop-in replacement for your current bearing unit.

- 1 Through hardened steel spherical outer ring
- 2 Grease relubrication groove and oil holes
- 3 Through hardened steel wide inner ring
- 4 Special heat treated gripping "Fingers"
- 5 Concentric split locking collar
- 6 Torx® style socket head cap screw
- 7 Full contact metal shroud seals
- 8 Metal slingers
- 9 Anti-Rotation pin
- 10 Standard load capacity steel balls

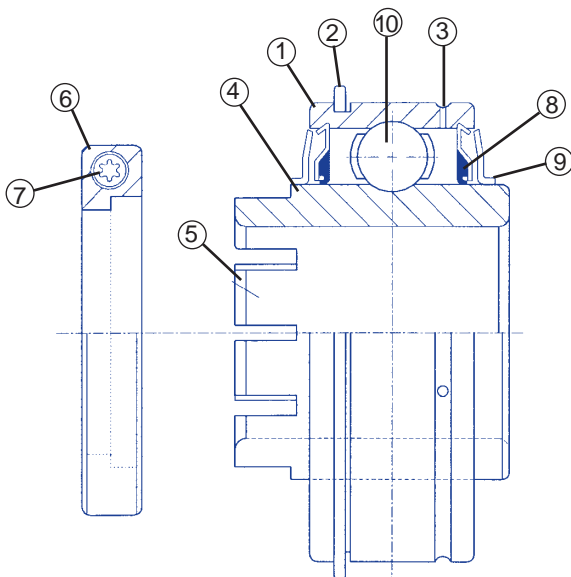


PEER's GR Series

PEER's GER Series

Replaces PEER'S popular SER series bearings. Cylindrical outer ring with snap ring makes this ideal for conveyor and printing roller applications. Also available with non contact "Z" shields for high speed, free-spinning applications.

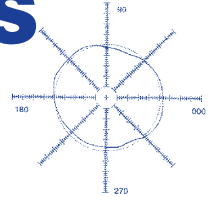
- 1 Through hardened steel spherical outer ring
- 2 Machined groove with steel snap ring
- 3 Grease relubrication groove and oil holes
- 4 Through hardened steel wide inner ring
- 5 Special heat treated gripping "Fingers"
- 6 Concentric split locking collar
- 7 Torx® style socket head cap screw
- 8 Full contact metal shroud seals
- 9 Metal slingers
- 10 Standard load capacity steel balls



PEER's GER Series

QUIETER BEARING UNITS... AND REPLACEMENT SAVINGS

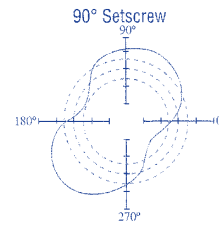
True center line
Using PEER'S GR Series Bearing.



How GRIP-IT ball bearings do it:

Forget the old-fashioned mechanism that pushes the shaft against one side of the bearing ring. (Figure A). PEER's GRIP-IT mounted units are designed to produce 360 degrees of equalized locking contact. (Figure B). The shaft is centered concentrically in the bore of the bearing and always runs true. Shaft offset is eliminated and premature locking failure is minimized. Since locking design is a major factor in mounted bearing performance, GRIP-IT stands out as a major advantage.

- Shaft offset eliminated
- Vibration and noise significantly reduced
- Rotational balance remains constant
- GRIP-ITs are easily removed or repositioned. Since they do not mar or score the shaft, they are easier and less expensive to service.



Offset using conventional
set screw locking.

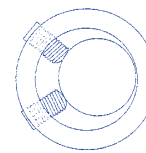


Figure A
Offset using
set screws

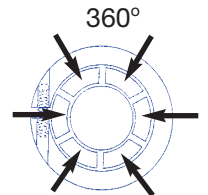


Figure B
True center line



Available in most standard,
medium and light duty
 housings.

Air Handling Mounted Units for use in

H V A C

Applications



- 100% noise tested on state-of-the-art Anderon Meter equipment to EMQ (electric motor quality) standards.
- Bearings and housings are individually matched to achieve an air handling fit, a unique set of tolerances to ensure easy alignment and prevent bearing pre-load when mounting on light steel and aluminum frames.
- Solid foot housing design is standard on all pillow blocks, 2-bolts and heavy duty 4-bolt flanges to offer greater mounting stability.
- Each bearing is manufactured with SAE52100 bearing steel with grade 10 or better balls. Our 62 degree set screw angle is proven to provide greater locking power between the bearing and shaft.
- Final assembly of each air handling unit is done at PEER's Waukegan, IL plant and each unit is then certified and labeled for air handling use.



Available in standard and medium duty sizes.



Everywhere you turn...

Tough Agricultural and Lawn & Garden



*PEER offers a wide range of
Agricultural Bearing Products*



applications rely on AGXTREME

...FOR THE HARSH AND SEVERE ENVIRONMENTS

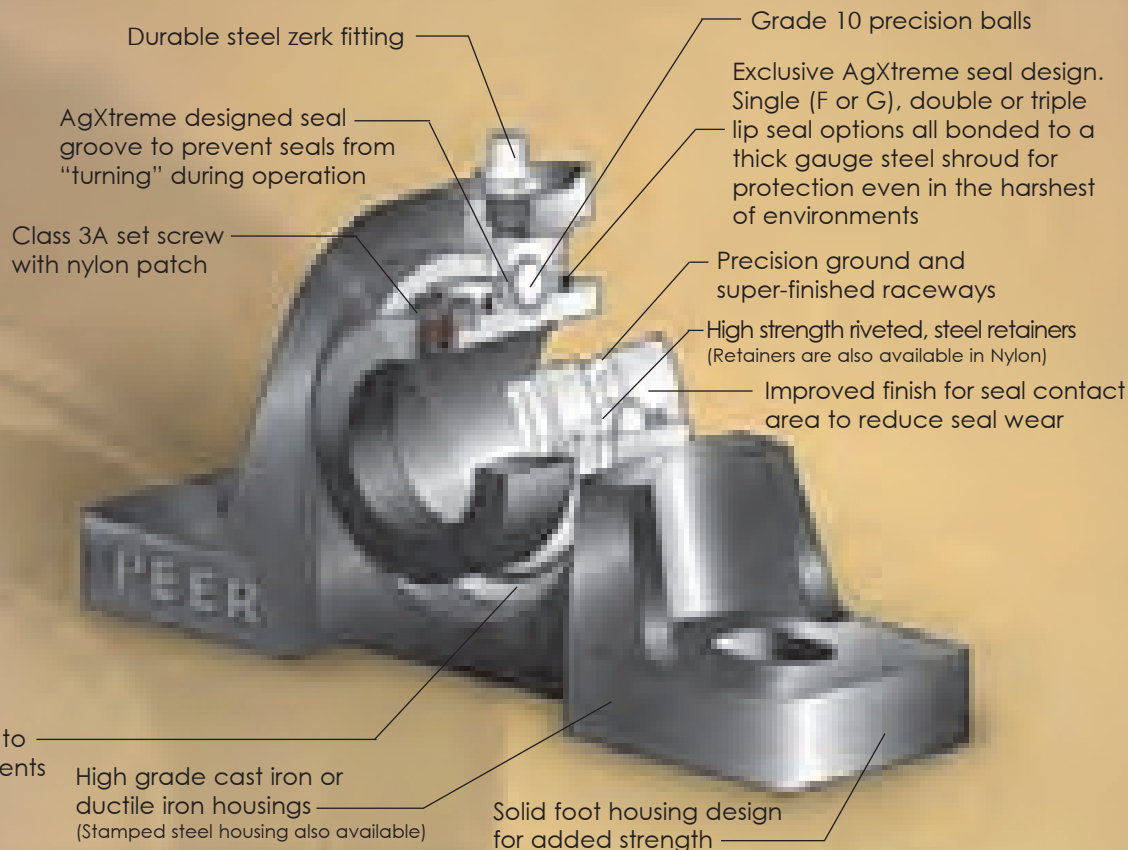
PEER developed AgXtreme bearing seals specifically for harsh and severe environments. The **AST** (Advanced Seal Technology) was designed for environments where a standard seal is not tough enough.

Applications Include:

Agriculture - Combines, Hay balers, Mower Conditioners, Cotton Strippers, Augers, Planters/grain drills

Lawn & Garden - Lawn Mowers

Conveyors - Grain, Aggregate



All bearings lubricated with brand name greases proven to perform in extreme environments

Field Testing

AgXtreme bearing seal designs have undergone independent field testing in a wide range of agricultural applications.

Lab Testing / Mud Slurry Testing

The test is performed to determine the effectiveness of the bearing sealing device to withstand contamination intrusion under aggressive environmental conditions. Seal designs are tested against competitive parts in side-by-side mud slurry testing. In this test, bearings are operated while submerged in a suspension containing Water, Arizona Coarse Test Dust (ISO 12103-1 A4 coarse test dust), Fertilizer, and Calcium Chloride.



MUD SLURRY TEST FIXTURE

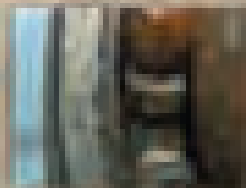
Test Results

"The test shows the PEER bearing seals performed significantly better than the name brand bearing seals. The lack of durability in the name brand seal design is evident, as the contamination levels of the bearing were high at the 75-hour mark. It is clear that the PEER bearing seals are superior to the name brand seals"

*Chris Napoleon,
Chief Engineer, Napoleon Engineering Services,
Independent Bearing Testing Facility*



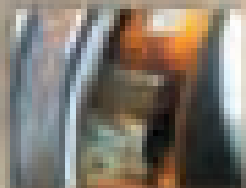
PEER AGXTREME AFTER 75 HOURS



NAME BRAND AFTER 75 HOURS



PEER AGXTREME AFTER 144 HOURS



NAME BRAND AFTER 144 HOURS



Corrosion Resistant Mounted Units...

Stainless steel units... the clear choice for **extreme** conditions with heavier loads.

Even under the harshest conditions - sulfuric, nitric or acetic acids and in contaminated or uncontaminated water conditions - PEER's all stainless steel units provide excellent corrosion resistance.

- Stainless steel housings are designed with solid bases/back and smooth surfaces to allow for complete and easy wash-down.
 - Stainless steel bearings are designed with extended inner rings for shaft stability and set screw locking for bi-directional applications.*
 - Standard closures include a stainless steel slinger over a full contact silicon seal to form a double barrier of protection during operation and wash-down.
 - Stainless steel bearings are filled with FDA/USDA (approved for incidental food contact) water/wash resistant, odorless, tasteless Mobilgrease FM102.
 - Stainless steel units are available from stock:*
 - Pillow blocks (P)
 - Tapped-base pillow blocks (PAS)
 - Two-bolt flange (FT)
 - Three-bolt-flange (FB)
 - Four-bolt flange (F).
- Stainless steel bearings are available in common inch and metric shaft sizes.



to operate in virtually any corrosive environment

PBT Thermoplastic Housings with Stainless Steel Bearings... or... PBT Thermoplastic Housings with Stainless/Zinc Chromate Bearings...

Two great options for **severe conditions**

PEER Thermoplastic housings will cope with severe wash-down conditions and temperatures to 285° F and have a tensile strength of 17,300 PSI (ASTM D638). They are resistant to moisture absorption and have high mechanical properties. These units maintain excellent chemical resistant ratings even in contact with hydrochloric, sulfuric, nitric and acetic acids. In addition, they can resist most hydroxides and alcohols.

- Housings are made from G.E. Valox® virgin PBT thermoplastic material and are designed with solid bases/back and smooth surfaces to allow for complete and easy wash-down.
- Stainless steel and stainless/zinc chromate bearings are designed with extended inner rings for shaft stability and set screw locking for bi-directional applications.*
- Standard closures include a stainless steel slinger over a full contact silicon seal to form a double barrier of protection during operation and wash-down.
- Stainless steel and stainless/zinc chromate bearings are filled with FDA/USDA (approved for incidental food contact) water/wash resistant, odorless, tasteless Mobilgrease FM102.
- Thermoplastic units are available from stock:*

 - Pillow blocks (P)
 - Tapped base pillow blocks (PAS)
 - Two-bolt flange (FT)
 - Three bolt-flange (FB)
 - Four-bolt flange (F)
 - Hanger (HA)
 - Take-up (T)

- Stainless steel and stainless/zinc chromate bearings are available in common inch and metric shaft sizes.



* For alternative locking devices, additional housings styles and bore sizes, please contact your PEER Bearing Co. sales representative.

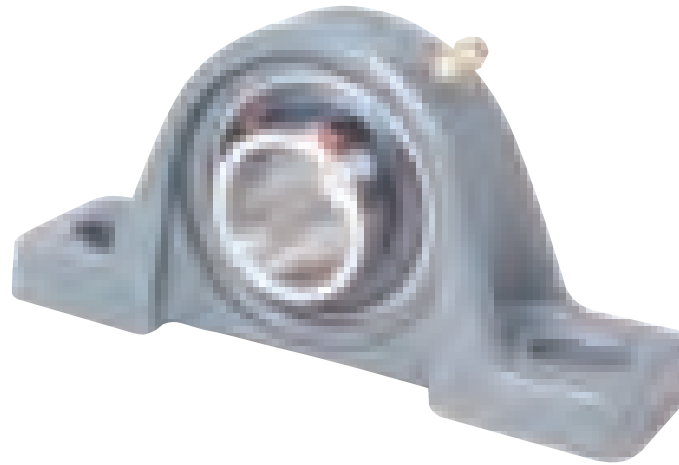


Pillow Blocks – Standard Shaft Height

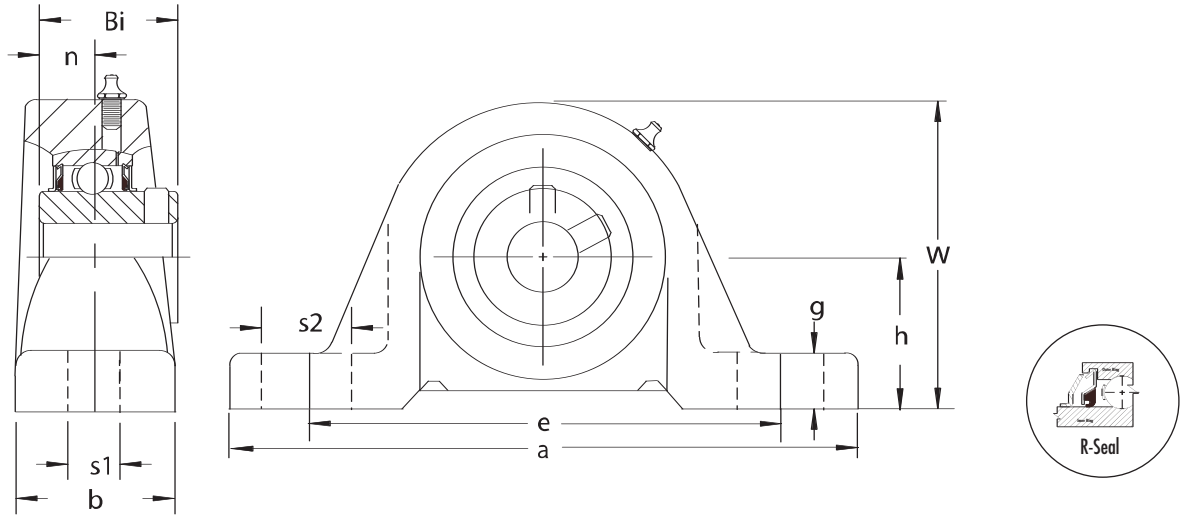
UCP200 Series Set Screw Locking

- Standard duty, high-grade cast iron
- Solid foot housing design
- Wide inner ring bearing
- Relubricatable unit with anti-rotation pin
- Standard seal: R-Seal

Triple lip seal and other options:
See page 85



Dimensions ⁱⁿ / _{mm}														
Unit No.	Shaft Diam.	h	a	e	b	s1	s2	g	w	Bi	n	Bolt Size In.	Bearing No.	Housing No.
UCSP201 -8 UCSP201 -12mm UCSP202 -9 UCSP202 -10 UCSP202 -15mm UCSP203 -11 UCSP203 -17mm	1/2 12mm 9/16 5/8 15mm 11/16 17mm	1 3/16 30.16	5 15/32 138.8	3 5/8 92.1	1 17/64 32.2	7/16 11.1	7/8 22.2	15/32 11.9	2 7/32 56.4	1.024 26.00	0.394 10.00	3/8	UCS201 -8 UCS201 -12mm UCS202 -9 UCS202 -10 UCS202 -15mm UCS203 -11 UCS203 -17mm	P-203S-HA
UCP201 -8 UCP201 -12mm UCP202 -9 UCP202 -10 UCP202 -15mm UCP203 -11 UCP203 -17mm	1/2 12mm 9/16 5/8 15mm 11/16 17mm	1 3/16 30.16	5 127.0	3 3/4 95.3	1 11/32 34.0	1/2 12.7	3/4 19.1	17/32 13.5	2 15/32 62.7	1.220 31.00	0.500 12.70	3/8	UC201 -8 UC201 -12mm UC202 -9 UC202 -10 UC202 -15mm UC203 -11 UC203 -17mm	P-203-HA
UCP204 -12 UCP204 -13 UCP204 -20mm	3/4 13/16 20mm	1 5/16 33.34	5 127.0	3 3/4 95.3	1 11/32 34.0	1/2 12.7	3/4 19.1	17/32 13.5	2 17/32 64.3	1.220 31.00	0.500 12.70	3/8	UC204 -12 UC204 -13 UC204 -20mm	P-204-HA
UCP205 -13 UCP205 -14 UCP205 -15 UCP205 -16 UCP205 -25mm	13/16 7/8 15/16 1 25mm	1 7/16 36.51	5 1/2 139.7	4 1/8 104.8	1 1/2 38.1	1/2 12.7	3/4 19.1	5/8 15.9	2 25/32 70.6	1.339 34.00	0.563 14.30	3/8	UC205 -13 UC205 -14 UC205 -15 UC205 -16 UC205 -25mm	P-205-HA
UCP206 -17 UCP206 -18 UCP206 -19 UCP206 -20 UCP206 -30mm	1 1/16 1 1/8 1 3/16 1 1/4(s) 30mm	1 11/16 42.86	6 1/2 165.1	4 3/4 120.7	1 3/4 44.6	21/32 16.7	13/16 20.6	21/32 16.7	3 9/32 83.3	1.500 38.10	0.626 15.90	1/2	UC206 -17 UC206 -18 UC206 -19 UC206 -20 UC206 -30mm	P-206-HA
UCP207 -20 UCP207 -21 UCP207 -22 UCP207 -23 UCP207 -35mm	1 1/4 1 5/16 1 3/8 1 7/16 35mm	1 7/8 47.63	6 9/16 166.7	5 127.0	1 13/16 45.8	21/32 16.7	13/16 20.6	23/32 18.3	3 11/16 93.7	1.689 42.90	0.689 17.50	1/2	UC207 -20 UC207 -21 UC207 -22 UC207 -23 UC207 -35mm	P-207-HA
UCP208 -24 UCP208 -25 UCP208 -40mm	1 1/2 1 9/16 40mm	1 15/16 49.21	7 1/4 184.2	5 13/32 137.3	1 59/64 48.8	21/32 16.7	13/16 20.6	13/16 20.6	4 101.6	1.937 49.20	0.748 19.00	1/2	UC208 -24 UC208 -25 UC208 -40mm	P-208-HA
UCP209 -26 UCP209 -27 UCP209 -28 UCP209 -45mm	1 5/8 1 11/16 1 3/4 45mm	2 1/8 53.89	7 15/32 189.7	5 3/4 146.1	2 1/64 51.2	21/32 16.7	13/16 20.6	3/4 19.1	4 1/4 107.1	1.937 49.20	0.748 19.00	1/2	UC209 -26 UC209 -27 UC209 -28 UC209 -45mm	P-209-HA



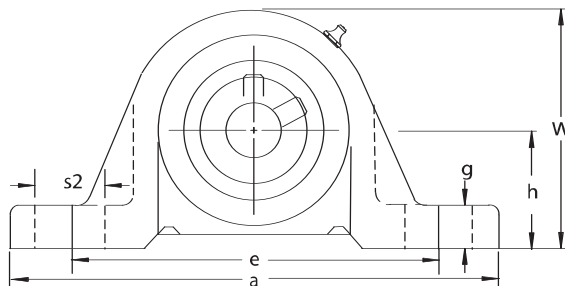
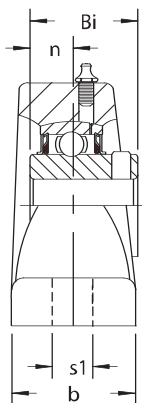
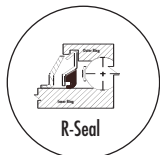
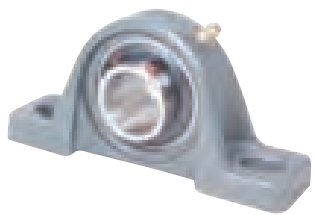
Dimensions ⁱⁿ / _{mm}														
Unit No.	Shaft Diam.	h	a	e	b	s1	s2	g	w	Bi	n	Bolt Size In.	Bearing No.	Housing No.
UCP210 -29	1 13/16												UC210 -29	P-210-HT
UCP210 -30	1 7/8												UC210 -30	
UCP210 -31	1 15/16	2 1/4	8 1/8	6 1/4	2 3/16	25/32	7/8	3/4	4 9/16	2.031	0.748	5/8	UC210 -31	
UCP210 -32	2(s)	57.15	206.4	158.8	55.6	19.8	22.2	19.1	115.9	51.60	19.00		UC210 -32	
UCP210 -50mm	50mm												UC210 -50mm	
UCP211 -32	2												UC211 -32	P-211-HT
UCP211 -33	2 1/16												UC211 -33	
UCP211 -34	2 1/8	2 1/2	8 5/8	6 23/32	2 5/16	25/32	7/8	7/8	4 31/32	2.189	0.874	5/8	UC211 -34	
UCP211 -35	2 3/16	63.50	219.1	170.7	58.9	19.8	22.2	22.2	126.2	55.60	22.20		UC211 -35	
UCP211 -55mm	55mm												UC211 -55mm	
UCP212 -36	2 1/4												UC212 -36	P-212-HT
UCP212 -37	2 5/16												UC212 -37	
UCP212 -38	2 3/8	2 3/4	9 7/16	7 1/4	2 27/64	25/32	1	7/8	5 9/16	2.563	1.000	5/8	UC212 -38	
UCP212 -39	2 7/16	69.85	239.7	184.2	61.6	19.8	25.4	22.2	141.3	65.10	25.40		UC212 -39	
UCP212 -60mm	60mm												UC212 -60mm	
UCP213 -40	2 1/2												UC213 -40	P-213-HT
UCP213 -41	2 9/16	3	10 7/16	8	2 53/64	1	1 3/16	1	6 3/64	2.563	1.000	3/4	UC213 -41	
UCP213 -65mm	65mm	76.20	265.1	203.2	71.9	25.4	30.2	25.4	153.6	65.10	25.40		UC213 -65mm	
UCP214 -42	2 5/8												UC214 -42	P-214-HT
UCP214 -43	2 11/16	3 1/8	10 15/32	8 9/32	2 27/32	1	1 3/16	1 7/64	6 9/32	2.937	1.189	3/4	UC214 -43	
UCP214 -44	2 3/4	79.38	265.9	210.3	72.1	25.4	30.2	28.2	159.5	74.60	30.20		UC214 -44	
UCP214 -70mm	70mm												UC214 -70mm	
UCP215 -45	2 13/16												UC215 -45	P-215-HT
UCP215 -46	2 7/8												UC215 -46	
UCP215 -47	2 15/16	3 1/4	10 13/16	8 17/32	2 7/8	1	1 3/16	1	6 5/8	3.063	1.311	3/4	UC215 -47	
UCP215 -48	3	82.55	274.6	216.7	73.0	25.4	30.2	25.4	168.3	77.80	33.30		UC215 -48	
UCP215 -75mm	75mm												UC215 -75mm	
UCP216 -50	3 1/8												UC216 -50	P-216-HT
UCP216 -80mm	80mm	3 1/2	11 1/2	9 1/8	3 1/16	1	1 3/8	1 11/32	6 15/16	3.252	1.311	3/4	UC216 -80mm	
UCP217 -52	3 1/4												UC217 -52	P-217-HT
UCP217 -55	3 7/16	3 3/4	12 7/32	9 23/32	3 17/64	1	1 9/16	1 7/16	7 7/16	3.374	1.343	3/4	UC217 -55	
UCP217 -85mm	85mm	95.25	310.4	246.9	83.2	25.4	39.7	36.5	188.9	85.70	34.10		UC217 -85mm	
UCP218 -56	3 1/2												UC218 -56	P-218-HT
UCP218 -90mm	90mm	4	12 7/8	10 5/16	3 1/2	1 1/16	1 25/32	1 39/64	7 31/32	3.780	1.563	7/8	UC218 -90mm	

Standard Mounted Units



Pillow Blocks – Low Shaft Heights

UCLP200 Series Set Screw Locking



- Standard duty, high-grade cast iron
- Solid foot housing design
- Wide inner ring bearing
- Relubricatable unit with anti-rotation pin
- Standard seal: R-Seal

Triple lip seal and other options:
See page 85

Dimensions in mm

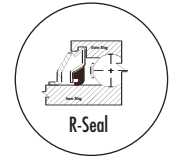
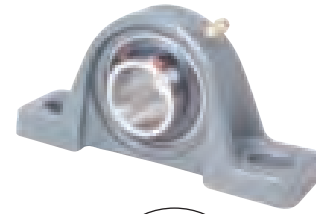
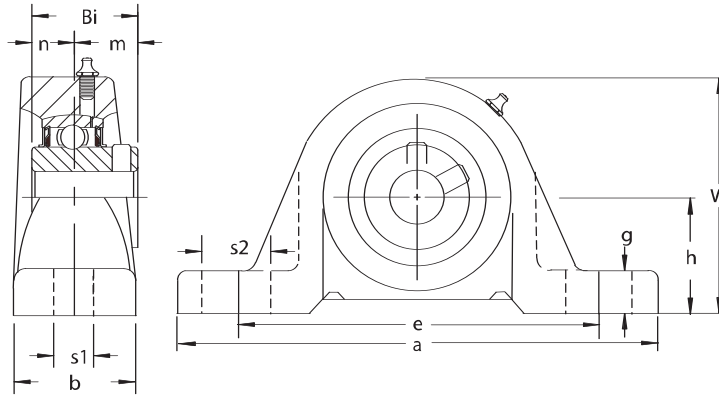
Unit No.	Shaft Diam.	h	a	e	b	s1	s2	g	w	Bi	n	Bolt Size In.	Bearing No.	Housing No.
UCSLP201 -8	1/2												UC201 -8	
UCSLP201 -12mm	12mm												UC201 -12mm	
UCSLP202 -9	9/16												UC202 -9	
UCSLP202 -10	5/8	1 1/16	5 15/32	3 5/8	1 17/64	7/16	7/8	11/32	2 3/32	1.024	0.394	3/8	UC202 -10	LP-203S-HA
UCSLP202 -15mm	15mm	26.99	138.8	92.1	32.2	11.1	22.2	8.7	53.2	26.00	10.00		UC202 -15mm	
UCSLP203 -11	11/16												UC203 -11	
UCSLP203 -17mm	17mm												UC203 -17mm	
UCLP201 -8	1/2												UC201 -8	
UCLP201 -12mm	12mm												UC201 -12mm	
UCLP202 -9	9/16												UC202 -9	
UCLP202 -10	5/8	1 1/4	5	3 3/4	1 11/32	1/2	3/4	15/32	2 15/32	1.220	0.500	3/8	UC202 -10	LP-204-HA
UCLP202 -15mm	15mm	31.75	127.0	95.3	34.0	12.7	19.1	11.9	62.7	31.00	12.70		UC202 -15mm	
UCLP203 -11	11/16												UC203 -11	
UCLP203 -17mm	17mm												UC203 -17mm	
UCLP204 -12	3/4												UC204 -12	
UCLP204 -13	13/16	1 1/4	5	3 3/4	1 11/32	1/2	3/4	15/32	2 15/32	1.220	0.500	3/8	UC204 -13	LP-204-HA
UCLP204 -20mm	20mm	31.75	127.0	95.3	34.0	12.7	19.1	11.9	62.7	31.00	12.70		UC204 -20mm	
UCLP205 -13	13/16												UC205 -13	
UCLP205 -14	7/8												UC205 -14	
UCLP205 -15	15/16	1 5/16	5 1/2	4 1/8	1 1/2	1/2	3/4	1/2	2 21/32	1.339	0.563	3/8	UC205 -15	LP-205-HA
UCLP205 -16	1	33.34	139.7	104.8	38.1	12.7	19.1	12.7	67.5	34.00	14.30		UC205 -16	
UCLP205 -25mm	25mm												UC205 -25mm	
UCLP206 -17	1 1/16												UC206 -17	
UCLP206 -18	1 1/8												UC206 -18	
UCLP206 -19	1 3/16	1 9/16	6 1/2	4 3/4	1 3/4	21/32	13/16	17/32	3 5/32	1.500	0.626	1/2	UC206 -19	LP-206-HA
UCLP206 -20	1 1/4(s)	39.69	165.1	120.7	44.6	16.7	20.6	13.5	80.2	38.10	15.90		UC206 -20	
UCLP206 -30mm	30mm												UC206 -30mm	
UCLP207 -20	1 1/4												UC207 -20	
UCLP207 -21	1 5/16												UC207 -21	
UCLP207 -22	1 3/8	1 13/16	6 9/16	5	1 13/16	21/32	13/16	21/32	3 5/8	1.689	0.689	1/2	UC207 -22	LP-207-HA
UCLP207 -23	1 7/16	46.04	166.7	127.0	45.8	16.7	20.6	16.7	92.1	42.90	17.50		UC207 -23	
UCLP207 -35mm	35mm												UC207 -35mm	
UCP208 -24	1 1/2												UC208 -24	
UCP208 -25	1 9/16	1 15/16	7 1/4	5 13/32	1 59/64	21/32	13/16	13/16	4	1.937	0.748	1/2	UC208 -25	P-208-HA
UCP208 -40mm	40mm	49.21	184.2	137.3	48.8	16.7	20.6	20.6	101.6	49.20	19.00		UC208 -40mm	
UCLP209 -26	1 5/8												UC209 -26	
UCLP209 -27	1 11/16												UC209 -27	
UCLP209 -28	1 3/4	2 1/16	7 15/32	5 3/4	2 1/64	21/32	13/16	11/16	4 3/16	1.937	0.748	1/2	UC209 -28	LP-209-HA
UCLP209 -45mm	45mm	52.39	189.7	146.1	51.2	16.7	20.6	17.5	106.4	49.20	19.00		UC209 -45mm	
UCLP210 -29	1 13/16												UC210 -29	
UCLP210 -30	1 7/8												UC210 -30	
UCLP210 -31	1 15/16	2 3/16	8 1/8	6 1/4	2 3/16	25/32	7/8	11/16	4 1/2	2.031	0.748	5/8	UC210 -31	LP-210-HT
UCLP210 -32	2(s)	55.56	206.4	158.8	55.6	19.8	22.2	17.5	114.3	51.60	19.00		UC210 -32	
UCLP210 -50mm	50mm												UC210 -50mm	
UCLP211 -32	2												UC211 -32	
UCLP211 -33	2 1/16												UC211 -33	
UCLP211 -34	2 1/8	2 7/16	8 5/8	6 29/32	2 5/16	25/32	1 1/16	13/16	4 29/32	2.189	0.874	5/8	UC211 -34	LP-211-HT
UCLP211 -35	2 3/16	61.91	219.1	175.4	58.9	19.8	26.9	20.6	124.6	55.60	22.20		UC211 -35	
UCLP211 -55mm	55mm												UC211 -55mm	
UCLP212 -36	2 1/4												UC212 -36	
UCLP212 -37	2 5/16												UC212 -37	
UCLP212 -38	2 3/8	2 11/16	9 1/2	7 13/32	2 27/64	25/32	1 5/32	13/16	5 1/2	2.563	1.000	5/8	UC212 -38	LP-212-HT
UCLP212 -39	2 7/16	68.26	241.3	188.2	61.6	19.8	29.4	20.6	139.7	65.10	25.40		UC212 -39	
UCLP212 -60mm	60mm												UC212 -60mm	

Pillow Blocks – Medium Duty UCPX00 Series Set Screw Locking



- Medium duty, high-grade cast iron
- Solid foot housing design
- Wide inner ring bearing
- Relubricatable unit with anti-rotation pin
- Standard seal: R-Seal

Triple lip seal and other options:
See page 85



Unit No.	Shaft Diam.	Dimensions <small>in mm</small>											Bolt Size In.	Bearing No.	Housing No.
		h	a	e	b	s1	s2	g	w	Bi	n	m			
UCPX05 -13 UCPX05 -14 UCPX05 -15 UCPX05 -16 UCPX05 -25mm	13/16 7/8 15/16 1 25mm	1 3/4 44.45	6 1/4 158.8	4 11/16 119.1	2 50.8	21/32 16.7	1 25.4	5/8 15.9	3 3/8 85.7	1.500 38.1	0.626 15.90	0.874 22.2	1/2	UCX05 -13 UCX05 -14 UCX05 -15 UCX05 -16 UCX05 -25mm	P-X05-HA
UCPX06 -17 UCPX06 -18 UCPX06 -19 UCPX06 -20 * UCPX06 -30mm	1 1/16 1 1/8 1 3/16 1 1/4 30mm	1 7/8 47.63	6 7/8 174.6	5 127.0	2 1/4 57.2	21/32 16.7	1 25.4	21/32 16.7	3 11/16 93.7	1.689 42.9	0.689 17.50	1.000 25.4	1/2	UCX06 -17 UCX06 -18 UCX06 -19 UCX06 -20 * UCX06 -30mm	P-X06-HA
UCPX07 -20 UCPX07 -21 UCPX07 -22 UCPX07 -23 UCPX07 -35mm	1 1/4 1 5/16 1 3/8 1 7/16 35mm	2 1/8 53.98	8 203.2	5 21/32 143.7	2 1/4 57.2	21/32 16.7	1 3/16 30.2	3/4 19.0	4 1/8 104.8	1.937 49.2	0.748 19.00	1.189 30.2	1/2	UCX07 -20 UCX07 -21 UCX07 -22 UCX07 -23 UCX07 -35mm	P-X07-HA
UCPX08 -24 UCPX08 -25 UCPX08 -40mm	1 1/2 1 9/16 40mm	2 5/16 58.74	8 3/4 222.3	6 5/32 156.4	2 5/8 66.7	25/32 19.8	1 1/4 31.8	13/16 20.6	4 1/2 114.3	1.937 49.2	0.748 19.00	1.189 30.2	5/8	UCX08 -24 UCX08 -25 UCX08 -40mm	P-X08-HA
UCPX09 -26 UCPX09 -27 UCPX09 -28 UCPX09 -45mm	1 5/8 1 11/16 1 3/4 45mm	2 5/16 58.74	8 3/4 222.3	6 5/32 156.4	2 5/8 66.7	25/32 19.8	1 5/16 33.3	13/16 20.6	4 9/16 115.9	2.031 51.6	0.748 19.00	1.283 32.6	5/8	UCX09 -26 UCX09 -27 UCX09 -28 UCX09 -45mm	P-X09-HT
UCPX10 -29 UCPX10 -30 UCPX10 -31 UCPX10 -32 ** UCPX10 -50mm	1 13/19 1 7/8 1 15/16 2 50mm	2 1/2 63.50	9 1/2 241.3	6 25/32 172.2	2 7/8 73.0	25/32 19.8	1 13/32 35.7	7/8 22.2	4 31/32 126.2	2.189 55.6	0.874 22.20	1.315 33.4	5/8	UCX10 -29 UCX10 -30 UCX10 -31 UCX10 -32 ** UCX10 -50mm	P-X10-HT
UCPX11 -32 UCPX11 -33 UCPX11 -34 UCPX11 -35 UCPX11 -36 *** UCPX11 -55mm	2 2 1/16 2 1/8 2 3/16 2 1/4 55mm	2 3/4 69.85	10 1/4 260.4	7 1/4 184.2	3 1/8 79.4	1 25.4	1 13/32 35.7	1 3/32 27.8	5 15/32 138.9	2.563 65.1	1.000 25.40	1.563 39.7	3/4	UCX11 -32 UCX11 -33 UCX11 -34 UCX11 -35 UCX11 -36 *** UCX11 -55mm	P-X11-HT
UCPX12 -37 UCPX12 -38 UCPX12 -39 UCPX12 -60mm	2 5/16 2 3/8 2 7/16 60mm	3 76.20	11 1/4 285.8	8 203.2	3 9/32 83.3	1 25.4	1 9/16 39.7	1 3/32 27.8	5 31/32 151.6	2.563 65.1	1.000 25.40	1.563 39.7	3/4	UCX12 -37 UCX12 -38 UCX12 -39 UCX12 -60mm	P-X12-HT
UCPX13 -40 UCPX13 -41 UCPX13 -65mm	2 1/2 2 9/16 65mm	3 76.20	11 1/4 285.8	8 203.2	3 9/32 83.3	1 25.4	1 9/16 39.7	1 3/32 27.8	6 3/32 154.8	2.937 74.6	1.189 30.20	1.748 44.4	3/4	UCX13 -40 UCX13 -41 UCX13 -65mm	P-X13-HT
UCPX14 -42 UCPX14 -43 UCPX14 -44 UCPX14 -70mm	2 5/8 2 11/16 2 3/4 70mm	3 1/2 88.90	13 330.2	9 1/32 229.4	3 1/2 88.9	1 1/16 26.9	1 31/32 50.0	1 1/4 31.8	6 23/32 170.7	3.063 77.8	1.311 33.30	1.752 44.5	7/8	UCX14 -42 UCX14 -43 UCX14 -44 UCX14 -70mm	P-X14-HT
UCPX15 -45 UCPX15 -46 UCPX15 -47 UCPX15 -48 UCPX15 -75mm	2 13/16 2 7/8 2 15/16 3 75mm	3 1/2 88.90	13 330.2	9 1/32 229.4	3 1/2 88.9	1 1/16 26.9	1 31/32 50.0	1 1/4 31.8	6 7/8 174.6	3.252 82.6	1.311 33.30	1.941 49.3	7/8	UCX15 -45 UCX15 -46 UCX15 -47 UCX15 -48 UCX15 -75mm	P-X15-HT
UCPX16 -50 UCPX16 -80mm	3 1/8 80mm	4 101.60	15 381.0	11 5/32 283.4	4 1/32 102.4	1 1/16 26.9	2 9/32 57.9	1 11/32 34.1	7 11/16 195.3	3.374 85.7	1.343 34.10	2.031 51.6	7/8	UCX16 -50 UCX16 -80mm	P-X16-HT
UCPX17 -52 UCPX17 -85mm	3 1/4 85mm	4 101.60	15 381.0	11 5/32 283.4	4 1/32 102.4	1 1/16 26.9	2 3/8 60.3	1 11/32 34.1	7 7/8 200.0	3.780 96.0	1.563 39.70	2.217 56.3	7/8	UCX17 -52 UCX17 -85mm	P-X17-HT

*UCPX06-20 uses standard UC207-20 insert bearing,
**UCPX10-32 uses standard UC211-32 insert bearing,
***UCPX11-36 uses standard UC212-36 insert bearing.

Medium Duty units are available with eccentric locking collar bearings. Example HCPX08-24

Standard Mounted Units



Pillow Blocks - Standard Shaft Height

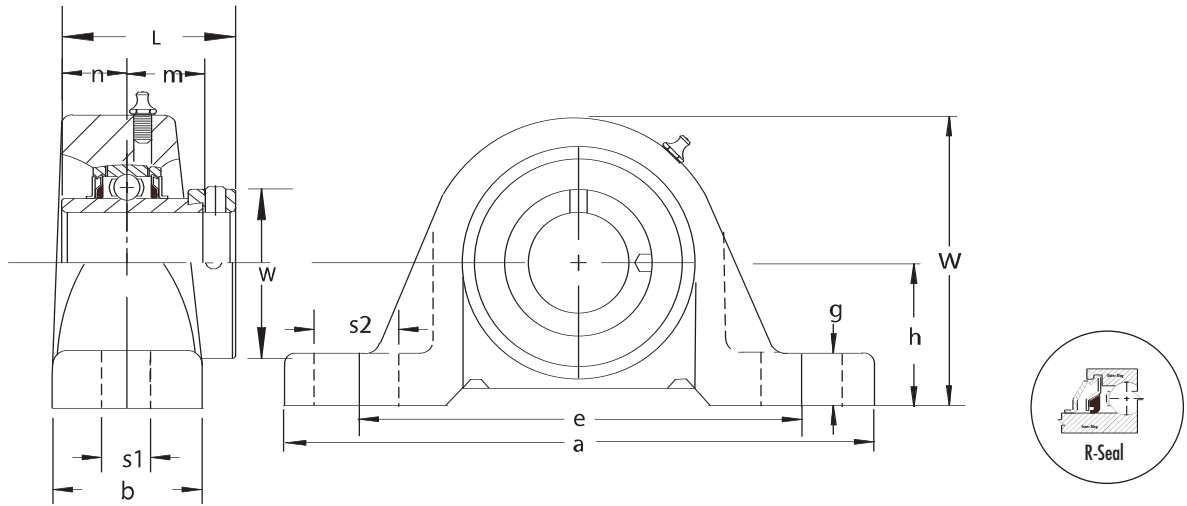
HCP200 Series Eccentric Locking Collar

- Standard duty, high-grade cast iron
- Solid foot housing design
- Wide inner ring bearing
- Relubricatable unit
- Standard seal: R-Seal

Triple lip seal and other options:
See page 85



Unit No.	Dimensions <small>in</small> mm														Bolt Size In.	Bearing No.	Housing No.	
	Shaft Diam.	h	a	e	b	s1	s2	g	w	L	n	m	W					
HCP201 -8	1/2																HCS201 -8 HCS201 -12mm HCS202 -9 HCS202 -10 HCS202 -15mm HCS203 -11 HCS203 -17mm	P-203S-HA
HCP201 -12mm	12mm																	
HCP202 -9	9/16	1 3/16	5 15/32	3 5/8	1 17/64	7/16	7/8	15/32	2 7/32	1.47	0.547	0.55	1.13	3/8				
HCP202 -10	5/8	30.16	138.8	92.1	32.2	11.1	22.2	11.9	56.4	37.30	13.90	13.90	28.60					
HCP202 -15mm	15mm																	
HCP203 -11	11/16																	
HCP203 -17mm	17mm																	
HCP201 -8	1/2																HC201 -8 HC201 -12mm HC202 -9 HC202 -10 HC202 -15mm HC203 -11 HC203 -17mm	P-203-HA
HCP201 -12mm	12mm																	
HCP202 -9	9/16	1 3/16	5	3 3/4	1 11/32	1/2	3/4	17/32	2 15/32	1.71	0.669	0.67	1.26	3/8				
HCP202 -10	5/8	30.16	127.0	95.3	34.0	12.7	19.1	13.5	62.7	43.50	17.00	17.00	32.00					
HCP202 -15mm	15mm																	
HCP203 -11	11/16																	
HCP203 -17mm	17mm																	
HCP204 -12	3/4	1 5/16	5	3 3/4	1 11/32	1/2	3/4	17/32	2 17/32	1.71	0.669	0.67	1.26	3/8		HC204 -12 HC204 -20mm	P-204-HA	
HCP204 -20mm	20mm	33.34	127.0	95.3	34.0	12.7	19.1	13.5	64.3	43.50	17.00	17.00	32.00					
HCP205 -13	13/16															HC205 -13 HC205 -14 HC205 -15 HC205 -16 HC205 -25mm	P-205-HA	
HCP205 -14	7/8	1 7/16	5 1/2	4 1/8	1 1/2	1/2	3/4	5/8	2 25/32	1.74	0.685	0.69	1.50	3/8				
HCP205 -15	15/16	36.51	139.7	104.8	38.1	12.7	19.1	15.9	70.6	44.30	17.40	17.40	38.10					
HCP205 -16	1																	
HCP205 -25mm	25mm																	
HCP206 -17	1 1/16															HC206 -17 HC206 -18 HC206 -19 HC206 -20 HC206 -30mm	P-206-HA	
HCP206 -18	1 1/8	1 11/16	6 1/2	4 3/4	1 3/4	21/32	13/16	21/32	3 9/32	1.90	0.717	0.72	1.75	1/2				
HCP206 -19	1 3/16	42.86	165.1	120.7	44.6	16.7	20.6	16.7	83.3	48.30	18.20	18.20	44.50					
HCP206 -20	1 1/4(s)																	
HCP206 -30mm	30mm																	
HCP207 -20	1 1/4															HC207 -20 HC207 -21 HC207 -22 HC207 -23 HC207 -35mm	P-207-HA	
HCP207 -21	1 5/16	1 7/8	6 9/16	5	1 13/16	21/32	13/16	23/32	3 11/16	2.01	0.740	0.74	2.19	1/2				
HCP207 -22	1 3/8	47.63	166.7	127.0	45.8	16.7	20.6	18.3	93.7	51.10	18.80	18.80	55.60					
HCP207 -23	1 7/16																	
HCP207 -35mm	35mm																	
HCP208 -24	1 1/2	1 15/16	7 1/4	5 13/32	1 59/64	21/32	13/16	13/16	4	2.22	0.843	0.84	2.37	1/2		HC208 -24 HC208 -25 HC208 -40mm	P-208-HA	
HCP208 -25	1 9/16	49.21	184.2	137.3	48.8	16.7	20.6	20.6	101.6	56.30	21.40	21.40	60.30					
HCP208 -40mm	40mm																	



Unit No.	Dimensions ⁱⁿ _{mm}													Bolt Size In.	Bearing No.	Housing No.
	Shaft Diam.	h	a	e	b	s1	s2	g	w	L	n	m	W			
HCP209 -26 HCP209 -27 HCP209 -28 HCP209 -45mm	1 5/8 1 11/16 1 3/4 45mm	2 1/8 53.89	7 15/32 189.7	5 3/4 146.1	2 1/64 51.2	2 1/32 16.7	13/16 20.6	3/4 19.1	4 1/4 108.0	2.22 56.30	0.843 21.40	0.84 21.40	2.50 63.50	1/2	HC209 -26 HC209 -27 HC209 -28 HC209 -45mm	P-209-HA
HCP210 -29 HCP210 -30 HCP210 -31 HCP210 -32 HCP210 -50mm	1 13/16 1 7/8 1 15/16 2(s) 50mm	2 1/4 57.15	8 1/8 206.4	6 1/4 158.8	2 3/16 55.6	25/32 19.8	7/8 22.2	3/4 19.1	4 9/16 115.9	2.47 62.70	0.969 24.60	0.97 24.60	2.75 69.90	5/8	HC210 -29 HC210 -30 HC210 -31 HC210 -32 HC210 -50mm	P-210-HT
HCP211 -32 HCP211 -33 HCP211 -34 HCP211 -35 HCP211 -55mm	2 2 1/16 2 1/8 2 3/16 55mm	2 1/2 63.50	8 5/8 219.1	6 23/32 170.7	2 5/16 58.9	25/32 19.8	7/8 22.2	7/8 22.2	4 31/32 126.2	2.81 71.40	1.090 27.70	1.09 27.70	3.00 76.20	5/8	HC211 -32 HC211 -33 HC211 -34 HC211 -35 HC211 -55mm	P-211-HT
HCP212 -36 HCP212 -37 HCP212 -38 HCP212 -39 HCP212 -60mm	2 1/4 2 5/16 2 3/8 2 7/16 60mm	2 3/4 69.85	9 7/16 239.7	7 1/4 184.2	2 27/64 61.6	25/32 19.8	1 25.4	7/8 22.2	5 9/16 141.3	3.06 77.80	1.217 30.90	1.22 30.90	3.31 84.10	5/8	HC212 -36 HC212 -37 HC212 -38 HC212 -39 HC212 -60mm	P-212-HT
HCP213 -40 HCP213 -41 HCP213 -65mm	2 1/2 2 9/16 65mm	3 76.20	10 7/16 265.1	8 203.2	2 53/64 71.9	1 25.4	1 3/16 30.2	1 25.4	6 3/64 153.6	3.37 85.70	1.343 34.10	1.34 34.10	3.39 86.00	3/4	HC213 -40 HC213 -41 HC213 -65mm	P-213-HT
HCP214 -42 HCP214 -43 HCP214 -44 HCP214 -70mm	2 5/8 2 11/16 2 3/4 70mm	3 1/8 79.38	10 15/32 265.9	8 9/32 210.3	2 27/32 72.1	1 25.4	1 3/16 30.2	1 7/64 28.2	6 9/32 159.5	3.37 85.70	1.343 34.10	1.34 34.10	3.54 90.00	3/4	HC214 -42 HC214 -43 HC214 -44 HC214 -70mm	P-214-HT
HCP215 -45 HCP215 -46 HCP215 -47 HCP215 -48 HCP215 -75mm	2 13/16 2 7/8 2 15/16 3 75mm	3 1/4 82.55	10 13/16 274.6	8 17/32 216.7	2 7/8 73.0	1 25.4	1 3/16 30.2	1 25.4	6 5/8 168.3	3.63 92.10	1.469 37.30	1.47 37.30	4.00 101.60	3/4	HC215 -45 HC215 -46 HC215 -47 HC215 -48 HC215 -75mm	P-215-HT

Standard Mounted Units



Pillow Blocks – Low Shaft Height HCLP200 Series Eccentric Locking Collar

- Standard duty, high-grade cast iron
- Solid foot housing design
- Wide inner ring bearing
- Relubricatable unit
- Standard seal: R-Seal

Triple lip seal and other options:
See page 85



Dimensions ⁱⁿ / _{mm}																
Unit No.	Shaft Diam.	h	a	e	b	s1	s2	g	w	L	n	m	W	Bolt Size In.	Bearing No.	Housing No.
HCSLP201 -8 HCSLP201 -12mm HCSLP202 -9 HCSLP202 -10 HCSLP202 -15mm HCSLP203 -11 HCSLP203 -17mm	1/2 12mm 9/16 5/8 15mm 11/16 17mm	1 1/16 26.99	5 15/32 138.8	3 5/8 92.1	1 17/64 32.2	7/16 11.1	7/8 22.2	11/32 8.7	2 3/32 53.2	1.47 37.30	0.547 13.90	0.55 13.90	1.13 28.60	3/8	HCS201 -8 HCS201 -12mm HCS202 -9 HCS202 -10 HCS202 -15mm HCS203 -11 HCS203 -17mm	LP-203S-HA
HCLP201 -8 HCLP201 -12mm HCLP202 -9 HCLP202 -10 HCLP202 -15mm HCLP203 -11 HCLP203 -17mm	1/2 12mm 9/16 5/8 15mm 11/16 17mm	1 1/4 31.75	5 127.0	3 3/4 95.3	1 11/32 34.0	1/2 12.7	3/4 19.1	15/32 11.9	2 15/32 62.7	1.71 43.50	0.669 17.00	0.67 17.00	1.26 32.00	3/8	HC201 -8 HC201 -12mm HC202 -9 HC202 -10 HC202 -15mm HC203 -11 HC203 -17mm	LP-204-HA
HCLP204 -12 HCLP204 -20mm	3/4 20mm	1 1/4 31.75	5 127.0	3 3/4 95.3	1 11/32 34.0	1/2 12.7	3/4 19.1	15/32 11.9	2 15/32 62.7	1.71 43.50	0.669 17.00	0.67 17.00	1.26 32.00	3/8	HC204 -12 HC204 -20mm	LP-204-HA
HCLP205 -13 HCLP205 -14 HCLP205 -15 HCLP205 -16 HCLP205 -25mm	13/16 7/8 15/16 1 25mm	1 5/16 33.34	5 1/2 139.7	4 1/8 104.8	1 1/2 38.1	1/2 12.7	3/4 19.1	1/2 12.7	2 21/32 67.5	1.74 44.30	0.685 17.40	0.69 17.40	1.50 38.10	3/8	HC205 -13 HC205 -14 HC205 -15 HC205 -16 HC205 -25mm	LP-205-HA
HCLP206 -17 HCLP206 -18 HCLP206 -19 HCLP206 -20 HCLP206 -30mm	1 1/16 1 1/8 1 3/16 1 1/4(s) 30mm	1 9/16 39.69	6 1/2 165.1	4 3/4 120.7	1 3/4 44.6	21/32 16.7	13/16 20.6	17/32 13.5	3 5/32 80.2	1.90 48.30	0.717 18.20	0.72 18.20	1.75 44.50	1/2	HC206 -17 HC206 -18 HC206 -19 HC206 -20 HC206 -30mm	LP-206-HA
HCLP207 -20 HCLP207 -21 HCLP207 -22 HCLP207 -23 HCLP207 -35mm	1 1/4 1 5/16 1 3/8 1 7/16 35mm	1 13/16 46.04	6 9/16 166.7	5 127.0	1 13/16 45.8	21/32 16.7	13/16 20.6	21/32 16.7	3 5/8 92.1	2.01 51.10	0.740 18.80	0.74 18.80	2.19 55.60	1/2	HC207 -20 HC207 -21 HC207 -22 HC207 -23 HC207 -35mm	LP-207-HA
HCP208 -24 HCP208 -25 HCP208 -40mm	1 1/2 1 9/16 40mm	1 15/16 49.21	7 1/4 184.2	5 13/32 137.3	1 59/64 48.8	21/32 16.7	13/16 20.6	13/16 20.6	4 101.6	2.22 56.30	0.843 21.40	0.84 21.40	2.37 60.30	1/2	HC208 -24 HC208 -25 HC208 -40mm	P-208-HA



Pillow Blocks – Standard Shaft Height

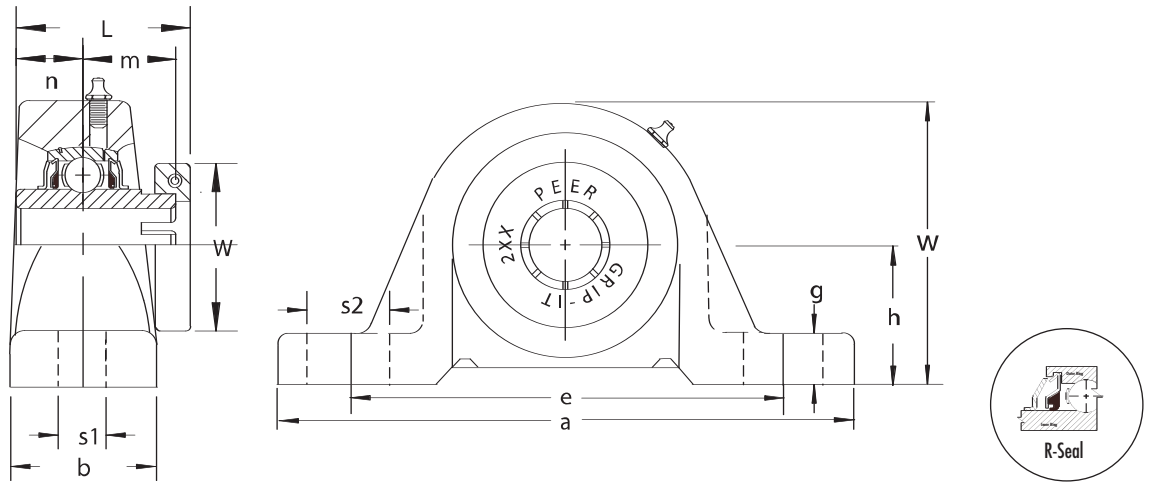
GRP200 Series GRIP-IT 360 Degree Locking

- Standard duty, high-grade cast iron
- Solid foot housing design
- Wide inner ring bearing
- Relubricatable unit with anti-rotation pin
- Black Oxide plated inner and outer rings
- Standard seal: R-Seal



Triple lip seal and other options:
See page 85

Unit No.	Dimensions ⁱⁿ / _{mm}													Bolt Size In.	Bearing No.	Housing No.
	Shaft Diam.	h	a	e	b	s1	s2	g	w	L	n	m	W			
GRP204 -12 GRP204 -13 GRP204 -20mm	3/4 13/16 20mm	1 5/16 33.340	5 127.0	3 3/4 95.3	1 11/32 34.0	1/2 12.7	3/4 19.1	17/32 13.5	2 17/32 64.3	1.37 34.90	0.500 12.70	0.72 18.30	1.76 44.60	3/8	GR204 -12 GR204 -13 GR204 -20mm	P-204-HA
GRP205 -13 GRP205 -14 GRP205 -15 GRP205 -16 GRP205 -25mm	13/16 7/8 15/16 1 25mm	1 7/16 36.510	5 1/2 139.7	4 1/8 104.8	1 1/2 38.1	1/2 12.7	3/4 19.1	5/8 15.9	2 25/32 70.6	1.51 38.40	0.563 14.30	0.80 20.20	1.94 49.20	3/8	GR205 -13 GR205 -14 GR205 -15 GR205 -16 GR205 -25mm	P-205-HA
GRP206 -17 GRP206 -18 GRP206 -19 GRP206 -20 GRP206 -30mm	1 1/16 1 1/8 1 3/16 1 1/4(s) 30mm	1 11/16 42.860	6 1/2 165.1	4 3/4 120.7	1 3/4 44.6	21/32 16.7	13/16 20.6	21/32 16.7	3 9/32 83.3	1.65 41.90	0.626 15.90	0.87 22.20	2.19 55.50	1/2	GR206 -17 GR206 -18 GR206 -19 GR206 -20 GR206 -30mm	P-206-HA
GRP207 -20 GRP207 -21 GRP207 -22 GRP207 -23 GRP207 -35mm	1 1/4 1 5/16 1 3/8 1 7/16 35mm	1 7/8 47.630	6 9/16 166.7	5 127.0	1 13/16 45.8	21/32 16.7	13/16 20.6	23/32 18.3	3 11/16 93.7	1.87 47.50	0.689 17.50	1.00 25.40	2.57 65.40	1/2	GR207 -20 GR207 -21 GR207 -22 GR207 -23 GR207 -35mm	P-207-HA
GRP208 -24 GRP208 -25 GRP208 -40mm	1 1/2 1 9/16 40mm	1 15/16 49.210	7 1/4 184.2	5 13/32 137.3	1 59/64 48.8	21/32 16.7	13/16 20.6	13/16 20.6	4 101.6	2.11 53.70	0.748 19.00	1.19 30.20	2.69 68.40	1/2	GR208 -24 GR208 -25 GR208 -40mm	P-208-HA
GRP209 -26 GRP209 -27 GRP209 -28 GRP209 -45mm	1 5/8 1 11/16 1 3/4 45mm	2 1/8 53.890	7 15/32 189.7	5 3/4 146.1	2 1/64 51.2	21/32 16.7	13/16 20.6	3/4 19.1	4 1/4 108.0	2.12 53.90	0.748 19.00	1.19 30.20	2.93 74.50	1/2	GR209 -26 GR209 -27 GR209 -28 GR209 -45mm	P-209-HA
GRP210 -29 GRP210 -30 GRP210 -31 GRP210 -32 GRP210 -50mm	1 13/16 1 7/8 1 15/16 2(s) 50mm	2 1/4 57.150	8 1/8 206.4	6 1/4 158.8	2 3/16 55.6	25/32 19.8	7/8 22.2	3/4 19.1	4 9/16 115.9	2.27 57.60	0.748 19.00	1.28 32.60	3.39 86.00	5/8	GR210 -29 GR210 -30 GR210 -31 GR210 -32 GR210 -50mm	P-210-HT



Unit No.	Dimensions ⁱⁿ _{mm}													Bolt Size In.	Bearing No.	Housing No.
	Shaft Diam.	h	a	e	b	s1	s2	g	w	L	n	m	W			
GRP211 -32	2														GR211 -32	P-211-HT
GRP211 -33	2 1/16													GR211 -33		
GRP211 -34	2 1/8	63.500	8 5/8	6 23/32	2 5/16	25/32	7/8	7/8	4 31/32	2.43	0.874	1.31	3.50	GR211 -34		
GRP211 -35	2 3/16		219.1	170.7	58.9	19.8	22.2	22.2	126.2	61.70	22.20	33.40	89.00	GR211 -35		
GRP211 -55mm	55mm													GR211 -55mm		
GRP212 -36	2 1/4													GR212 -36	P-212-HT	
GRP212 -37	2 5/16													GR212 -37		
GRP212 -38	2 3/8	69.850	9 7/16	7 1/4	2 27/64	25/32	1	7/8	5 9/16	2.85	1.000	1.56	4.06	GR212 -38		
GRP212 -39	2 7/16		239.7	184.2	61.6	19.8	25.4	22.2	141.3	72.30	25.40	39.70	103.00	GR212 -39		
GRP212 -60mm	60mm													GR212 -60mm		
GRP213 -40	2 1/2													GR213 -40	P-213-HT	
GRP213 -41	2 9/16													GR213 -41		
GRP213 -65mm	65mm	3	10 7/16	8	2 53/64	1	1 3/16	1	6 3/64	2.85	1.000	1.56	4.11	GR213 -65mm		
GRP214 -42	2 5/8													GR214 -42	P-214-HT	
GRP214 -43	2 11/16													GR214 -43		
GRP214 -44	2 3/4	3 1/8	10 15/32	8 9/32	2 27/32	1	1 3/16	1 7/64	6 9/32	3.22	1.189	1.75	4.39	GR214 -44		
GRP214 -70mm	70mm	79.380	265.9	210.3	72.1	25.4	30.2	28.2	159.5	81.80	30.20	44.40	111.50	GR214 -70mm		
GRP215 -45	2 13/16													GR215 -45	P-215-HT	
GRP215 -46	2 7/8													GR215 -46		
GRP215 -47	2 15/16	3 1/4	10 13/16	8 17/32	2 7/8	1	1 3/16	1	6 5/8	3.36	1.311	1.75	4.65	GR215 -47		
GRP215 -48	3	82.550	274.6	216.7	73.0	25.4	30.2	25.4	168.3	85.30	33.30	44.50	118.00	GR215 -48		
GRP215 -75mm	75mm													GR215 -75mm		
GRP216 -50	3 1/8													GR216 -50	P-216-HT	
GRP216 -80mm	80mm	88.900	292.1	231.8	77.8	25.4	34.9	34.1	176.2	90.10	33.30	49.30	123.70	GR216 -80mm		

Standard Mounted Units

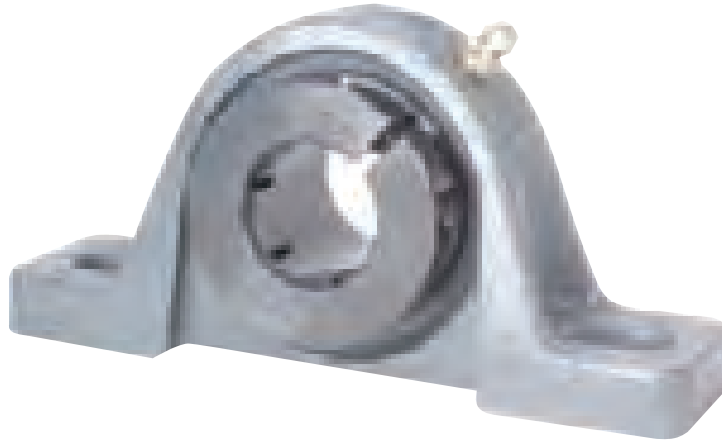


Pillow Blocks – Low Shaft Height

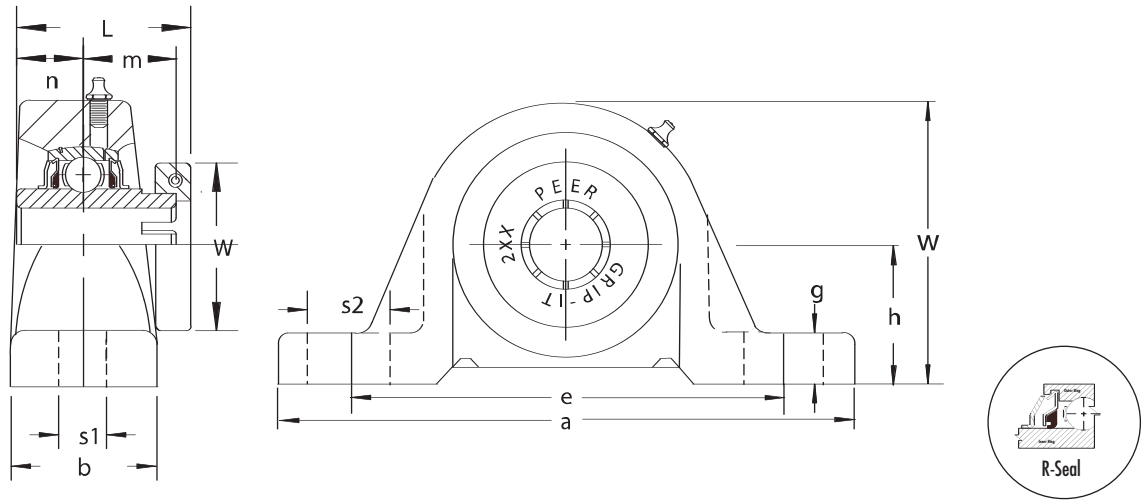
GRLP200 Series GRIP-IT 360 Degree Locking

- Standard duty, high-grade cast iron
- Solid foot housing design
- Wide inner ring bearing
- Relubricatable unit with anti-rotation pin
- Black Oxide plated inner and outer rings
- Standard seal: R-Seal

Triple lip seal and other options:
See page 85



Unit No.	Dimensions <small>in mm</small>													Bolt Size In.	Bearing No.	Housing No.
	Shaft Diam.	h	a	e	b	s1	s2	g	w	L	n	m	W			
GRLP204 -12 GRLP204 -13 GRLP204 -20mm	3/4 13/16 20mm	1 1/4 31.75	5 127.00	3 3/4 95.25	1 11/32 34.00	1/2 12.70	3/4 19.05	15/32 11.91	2 15/32 62.71	1.37 34.90	0.500 12.70	0.72 18.30	1.76 44.60	3/8	GR204 -12 GR204 -13 GR204 -20mm	LP-204-HA
GRLP205 -13 GRLP205 -14 GRLP205 -15 GRLP205 -16 GRLP205 -25mm	13/16 7/8 15/16 1 25mm	1 5/16 33.34	5 1/2 139.70	4 1/8 104.78	1 1/2 38.10	1/2 12.70	3/4 19.05	1/2 12.70	2 21/32 67.47	1.51 38.40	0.563 14.30	0.80 20.20	1.94 49.20	3/8	GR205 -13 GR205 -14 GR205 -15 GR205 -16 GR205 -25mm	LP-205-HA
GRLP206 -17 GRLP206 -18 GRLP206 -19 GRLP206 -20 GRLP206 -30mm	1 1/16 1 1/8 1 3/16 1 7/4(s) 30mm	1 9/16 39.69	6 1/2 165.10	4 3/4 120.65	1 3/4 44.60	21/32 16.67	13/16 20.64	17/32 13.49	3 5/32 80.17	1.65 41.90	0.626 15.90	0.87 22.20	2.19 55.50	1/2	GR206 -17 GR206 -18 GR206 -19 GR206 -20 GR206 -30mm	LP-206-HA
GRLP207 -20 GRLP207 -21 GRLP207 -22 GRLP207 -23 GRLP207 -35mm	1 1/4 1 5/16 1 3/8 1 7/16 35mm	1 13/16 46.04	6 9/16 166.69	5 127.00	1 13/16 45.80	21/32 16.67	13/16 20.64	21/32 16.67	3 5/8 92.08	1.87 47.50	0.689 17.50	1.00 25.40	2.57 65.40	1/2	GR207 -20 GR207 -21 GR207 -22 GR207 -23 GR207 -35mm	LP-207-HA
GRP208 -24 GRP208 -25 GRP208 -40mm	1 1/2 1 9/16 40mm	1 15/16 49.210	7 1/4 184.150	5 13/32 137.320	1 59/64 48.80	21/32 16.670	13/16 20.640	13/16 20.640	4 101.60	2.11 53.70	0.748 19.00	1.19 30.20	2.69 68.40	1/2	GR208 -24 GR208 -25 GR208 -40mm	P-208-HA

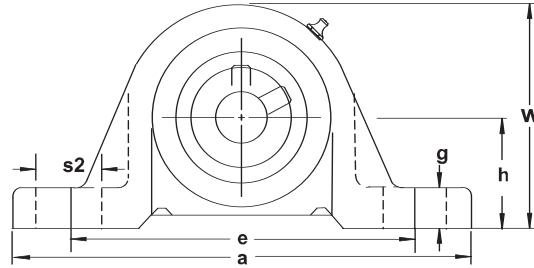
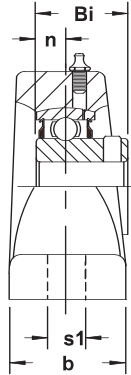
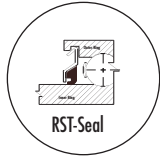


Unit No.	Dimensions <small>in mm</small>													Bolt Size In.	Bearing No.	Housing No.	
	Shaft Diam.	h	a	e	b	s1	s2	g	w	L	n	m	W				
GRIP209 -26	1 5/8														1/2	GR209 -26 GR209 -27 GR209 -28 GR209 -45mm	LP-209-HA
GRIP209 -27	1 11/16	2 1/16	7 15/32	5 3/4	2 1/64	21/32	13/16	11/16	4 3/16	2.12	0.748	1.19	2.93				
GRIP209 -28	1 3/4	52.39	189.71	146.05	51.20	16.67	20.64	17.46	106.36	53.90	19.00	30.20	74.50				
GRIP209 -45mm	45mm																
GRIP210 -29	1 13/16													5/8	GR210 -29 GR210 -30 GR210 -31 GR210 -32 GR210 -50mm	LP-210-HT	
GRIP210 -30	1 7/8	2 3/16	8 1/8	6 1/4	2 3/16	25/32	7/8	11/16	4 1/2	2.27	0.748	1.28	3.39				
GRIP210 -31	1 15/16	55.56	206.38	158.75	55.60	19.84	22.23	17.46	114.30	57.60	19.00	32.60	86.00				
GRIP210 -32	2(s)																
GRIP210 -50mm	50mm																
GRIP211 -32	2													5/8	GR211 -32 GR211 -33 GR211 -34 GR211 -35 GR211 -55mm	LP-211-HT	
GRIP211 -33	2 1/16	2 7/16	8 5/8	6 29/32	2 5/16	25/32	1 1/16	13/16	4 29/32	2.43	0.874	1.31	3.50				
GRIP211 -34	2 1/8	61.91	219.08	175.35	58.90	19.84	26.88	20.64	124.62	61.70	22.20	33.40	89.00				
GRIP211 -35	2 3/16																
GRIP211 -55mm	55mm																
GRIP212 -36	2 1/4													5/8	GR212 -36 GR212 -37 GR212 -38 GR212 -39 GR212 -60mm	LP-212-HT	
GRIP212 -37	2 5/16	2 11/16	9 1/2	7 13/32	2 27/64	25/32	1 5/32	13/16	5 1/2	2.85	1.000	1.56	4.06				
GRIP212 -38	2 3/8	68.26	241.30	188.15	61.60	19.84	29.38	20.64	139.70	72.30	25.40	39.70	103.00				
GRIP212 -39	2 7/16																
GRIP212 -60mm	60mm																

Standard Mounted Units



Pillow Blocks – Standard Shaft Height FHSP200-G Series Set Screw Locking



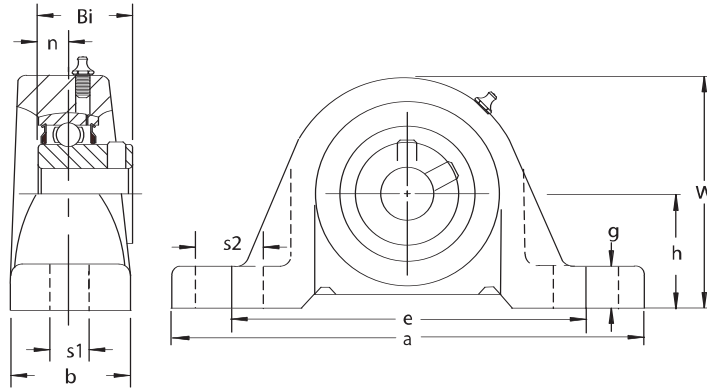
- Standard duty, high-grade cast iron
- Solid foot housing design
- Narrow inner ring bearing
- Relubricatable unit (shown)
- Non-relubricatable unit available (omit "G" from unit part number)
- Standard seal: RST tight riding, full cover, metal shroud seals

Optional seals: See page 85

Dimensions ⁱⁿ / _{mm}														
Unit No.	Shaft Diam.	h	a	e	b	s1	s2	g	w	Bi	n	Bolt Size In.	Bearing No.	Housing No.
FHSP201 -8G FHSP201 -12mmG FHSP202 -9G FHSP202 -10G FHSP202 -15mmG FHSP203 -11G FHSP203 -17mmG	1/2 12mm 9/16 5/8 15mm 11/16 17mm	1 3/16 30.16	5 15/32 138.8	3 5/8 92.1	1 17/64 32.2	7/16 11.1	7/8 22.2	15/32 11.9	2 7/32 56.4	0.89 22.50	0.256 6.50	3/8	FHS201 -8G FHS201 -12mmG FHS202 -9G FHS202 -10G FHS202 -15mmG FHS203 -11G FHS203 -17mmG	P-203S-HA
FHSP204 -12G FHSP204 -13G FHSP204 -20mmG	3/4 13/16 20mm	1 5/16 33.34	5 127.0	3 3/4 95.3	1 11/32 34.0	1/2 12.7	3/4 19.1	17/32 13.5	2 17/32 64.3	0.98 25.00	0.295 7.50	3/8	FHS204 -12G FHS204 -13G FHS204 -20mmG	P-204-HA
FHSP205 -12G FHSP205 -13G FHSP205 -14G FHSP205 -15G FHSP205 -16G FHSP205 -25mmG	3/4 13/16 7/8 15/16 1 25mm	1 7/16 36.51	5 1/2 139.7	4 1/8 104.8	1 1/2 38.1	1/2 12.7	3/4 19.1	5/8 15.9	2 25/32 70.6	1.06 27.00	0.295 7.50	3/8	FHS205 -12G FHS205 -13G FHS205 -14G FHS205 -15G FHS205 -16G FHS205 -25mmG	P-205-HA
FHSP206 -17G FHSP206 -18G FHSP206 -19G FHSP206 -20G FHSP206 -30mmG	1 1/16 1 1/8 1 3/16 1 1/4(s) 30mm	1 11/16 42.86	6 1/2 165.1	4 3/4 120.7	1 3/4 44.6	21/32 16.7	13/16 20.6	21/32 16.7	3 9/32 83.3	1.18 30.00	0.354 9.00	1/2	FHS206 -17G FHS206 -18G FHS206 -19G FHS206 -20G FHS206 -30mmG	P-206-HA
FHSP207 -20G FHSP207 -21G FHSP207 -22G FHSP207 -23G FHSP207 -35mmG	1 1/4 1 5/16 1 3/8 1 7/16 35mm	1 7/8 47.63	6 9/16 166.7	5 127.0	1 13/16 45.8	21/32 16.7	13/16 20.6	23/32 18.3	3 11/16 93.7	1.26 32.00	0.374 9.50	1/2	FHS207 -20G FHS207 -21G FHS207 -22G FHS207 -23G FHS207 -35mmG	P-207-HA
FHSP208 -24G FHSP208 -25G FHSP208 -40mmG	1 1/2 1 9/16 40mm	1 15/16 49.21	7 1/4 184.2	5 13/32 137.3	1 59/64 48.8	21/32 16.7	13/16 20.6	13/16 20.6	4 101.6	1.50 38.00	0.433 11.00	1/2	FHS208 -24G FHS208 -25G FHS208 -40mmG	P-208-HA
FHSP209 -27G FHSP209 -28G FHSP209 -45mmG	1 11/16 1 3/4 45mm	2 1/8 53.89	7 15/32 189.7	5 3/4 146.1	2 1/64 51.2	21/32 16.7	13/16 20.6	3/4 19.1	4 1/4 108.0	1.56 39.50	0.433 11.00	1/2	FHS209 -27G FHS209 -28G FHS209 -45mmG	P-209-HA
FHSP210 -29G FSHP210 -30G FHSP210 -31G FHSP210 -32G FHSP210 -50mmG	1 13/16 1 7/8 1 15/16 2 50mm	2 1/4 57.15	8 1/8 206.4	6 1/4 158.8	2 3/16 55.6	25/32 19.8	7/8 22.2	3/4 19.1	4 9/16 115.9	1.72 43.60	0.433 11.00	5/8	FHS210 -29G FHS210 -30G FHS210 -31G FHS210 -32G FHS210 -50mmG	P-210-HT
FHSP211 -32G FSHP211 -33G FSHP211 -34G FHSP211 -35G FHSP211 -55mmG	2 2 1/16 2 1/8 2 3/16 55mm	2 1/2 63.50	8 5/8 219.1	6 23/32 170.7	2 5/16 58.9	25/32 19.8	7/8 22.2	7/8 22.2	4 31/32 126.2	1.81 45.90	0.492 12.50	5/8	FHS211 -32G FHS211 -33G FHS211 -34G FHS211 -35G FHS211 -55mmG	P-211-HT



Pillow Blocks – Low Shaft Height FHSLP200-G Series Set Screw Locking



- Standard duty, high-grade cast iron
- Solid foot housing design
- Narrow inner ring bearing
- Relubricatable unit (shown)
- Non-relubricatable unit available (omit "G" from unit part number)
- Standard seal: RST tight riding, full cover, metal shroud seals

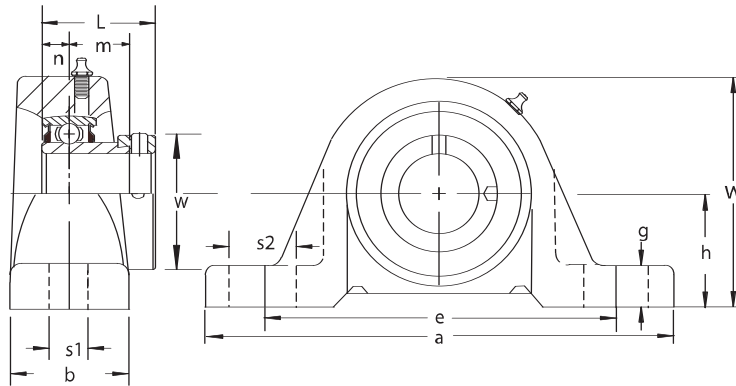
Optional seals: See page 85

Dimensions ⁱⁿ / _{mm}															
Unit No.	Shaft Diam.	h	a	e	b	s1	s2	g	w	Bi	n	Bolt Size In.	Bearing No.	Housing No.	
FHSLP201 -8G FHSLP201 -12mmG	1/2 12mm												FHS201 -8G FHS201 -12mmG	LP-203S-HA	
FHSLP202 -9G FHSLP202 -10G	9/16 5/8	1 1/16 26.99	5 15/32 138.8	3 5/8 92.1	1 17/64 32.2	7/16 11.1	7/8 22.2	11/32 8.7	2 3/32 53.2	0.89 22.50	0.256 6.50	3/8	FHS202 -9G FHS202 -10G		
FHSLP203 -15mmG FHSLP203 -11G FHSLP203 -17mmG	15mm 11/16 17mm												FHS203 -15mmG FHS203 -11G FHS203 -17mmG		
FHSLP204 -12G FHSLP204 -13G FHSLP204 -20mmG	3/4 13/16 20mm	1 1/4 31.75	5 127.0	3 3/4 95.3	1 11/32 34.0	1/2 12.7	3/4 19.1	15/32 11.9	2 15/32 62.7	0.98 25.00	0.295 7.50	3/8	FHS204 -12G FHS204 -13G FHS204 -20mmG		LP-204-HA
FHSLP205 -12G FHSLP205 -13G FHSLP205 -14G FHSLP205 -15G FHSLP205 -16G FHSLP205 -25mmG	3/4 13/16 7/8 15/16 1 25mm	1 5/16 33.34	5 1/2 139.7	4 1/8 104.8	1 1/2 38.1	1/2 12.7	3/4 19.1	1/2 12.7	2 21/32 67.5	1.06 27.00	0.30295 7.50	3/8	FHS205 -12G FHS205 -13G FHS205 -14G FHS205 -15G FHS205 -16G FHS205 -25mmG		LP-205-HA
FHSLP206 -17G FHSLP206 -18G FHSLP206 -19G FHSLP206 -20G FHSLP206 -30mmG	1 1/16 1 1/8 1 3/16 1 1/4(s) 30mm	1 9/16 39.69	6 1/2 165.1	4 3/4 120.7	1 3/4 44.6	21/32 16.7	13/16 20.6	17/32 13.5	3 5/32 80.2	1.18 30.00	0.354 9.00	1/2	FHS206 -17G FHS206 -18G FHS206 -19G FHS206 -20G FHS206 -30mmG	LP-206-HA	
FHSLP207 -20G FHSLP207 -21G FHSLP207 -22G FHSLP207 -23G FHSLP207 -35mmG	1 1/4 1 5/16 1 3/8 1 7/16 35mm	1 13/16 46.04	6 9/16 166.7	5 127.0	1 13/16 45.8	21/32 16.7	13/16 20.6	21/32 16.7	3 5/8 92.1	1.26 32.00	0.374 9.50	1/2	FHS207 -20G FHS207 -21G FHS207 -22G FHS207 -23G FHS207 -35mmG	LP-207-HA	
FHSP208 -24G FHSP208 -25G FHSP208 -40mmG	1 1/2 1 9/16 40mm	1 15/16 49.21	7 1/4 184.2	5 13/32 137.3	1 59/64 48.8	21/32 16.7	13/16 20.6	13/16 20.6	4 101.6	1.50 38.00	0.433 11.00	1/2	FHS208 -24G FHS208 -25G FHS208 -40mmG	P-208-HA	
FHSLP209 -26G FHSLP209 -27G FHSLP209 -28G FHSLP209 -45mmG	1 5/8 1 11/16 1 3/4 45mm	2 1/16 52.39	7 15/32 189.7	5 3/4 146.1	2 1/64 51.2	21/32 16.7	13/16 20.6	11/16 17.5	4 3/16 106.4	1.56 39.50	0.433 11.00	1/2	FHS209 -26G FHS209 -27G FHS209 -28G FHS209 -45mmG	LP-209-HA	
FHSLP210 -29G FHSLP210 -30G FHSLP210 -31G FHSLP210 -32G FHSLP210 -50mmG	1 13/16 1 7/8 1 15/16 2 50mm	2 3/16 55.56	8 1/8 206.4	6 1/4 158.8	2 3/16 55.6	25/32 19.8	7/8 22.2	11/16 17.5	4 1/2 114.3	1.72 43.60	0.433 11.00	5/8	FHS210 -29G FHS210 -30G FHS210 -31G FHS210 -32G FHS210 -50mmG	LP-210-HT	
FHSLP211 -32G FHSLP211 -33G FHSLP211 -34G FHSLP211 -35G FHSLP211 -55mmG	2 2 1/16 2 1/8 2 3/16 55mm	2 7/16 61.91	8 5/8 219.1	6 29/32 175.4	2 5/16 58.9	25/32 19.8	1 1/16 26.9	13/16 20.6	4 29/32 124.6	1.81 45.90	0.492 12.50	5/8	FHS211 -32G FHS211 -33G FHS211 -34G FHS211 -35G FHS211 -55mmG	LP-211-HT	

Pillow Blocks – Low Shaft Height FHLP200-G Series Eccentric Locking Collar



- Standard duty, high-grade cast iron
- Solid foot housing design
- Narrow inner ring bearing
- Relubricatable unit (shown)
- Non-relubricatable unit available (omit "G" from unit part number)
- Standard seal: RST tight riding, full cover, metal shroud seals



Optional seals: See page 85

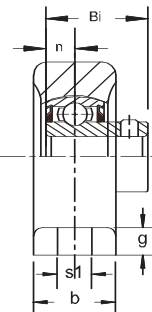
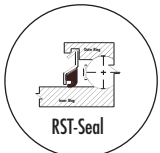
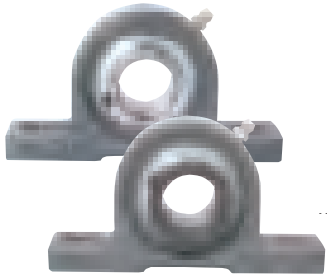
Unit No.	Shaft Diam.	Dimensions ⁱⁿ / _{mm}											Bolt Size In.	Bearing No.	Housing No.				
		h	a	e	b	s1	s2	g	w	L	n	m				W			
FHLP201 -8G	1/2																		
FHLP201 -12mmG	12mm																		
FHLP202 -9G	9/16	1 1/16	5 15/32	3 5/8	1 17/64	7/16	7/8	11/32	2 3/32	1.13	0.256	0.49	1.13	3/8	FH201 -8G FH201 -12mmG FH202 -9G FH202 -10G FH202 -15mmG FH203 -11G FH203 -17mmG	LP-203S-HA			
FHLP202 -10G	5/8	26.99	138.8	92.1	32.2	11.1	22.2	8.7	53.2	28.60	6.50	12.55	28.60						
FHLP202 -15mmG	15mm																		
FHLP203 -11G	11/16																		
FHLP203 -17mmG	17mm																		
FHLP204 -12G	3/4	1 1/4	5	3 3/4	1 11/32	1/2	3/4	15/32	2 15/32	1.22	0.295	0.55	1.26	3/8	FH204 -12G FH204 -20mmG	LP-204-HA			
FHLP204 -20mmG	20mm	31.75	127.0	95.3	34.0	12.7	19.1	11.9	62.7	31.00	7.50	13.91	32.00						
FHLP205 -13G	13/16																		
FHLP205 -14G	7/8	1 5/16	5 1/2	4 1/8	1 1/2	1/2	3/4	1/2	2 21/32	1.22	0.295	0.55	1.50	3/8	FH205 -13G FH205 -14G FH205 -15G FH205 -16G FH205 -25mmG	LP-205-HA			
FHLP205 -15G	15/16	33.34	139.7	104.8	38.1	12.7	19.1	12.7	67.5	31.00	7.50	14.00	38.10						
FHLP205 -16G	1																		
FHLP205 -25mmG	25mm																		
FHLP206 -17G	1 1/16																		
FHLP206 -18G	1 1/8	1 9/16	6 1/2	4 3/4	1 3/4	21/32	13/16	17/32	3 5/32	1.41	0.354	0.58	1.75	1/2	FH206 -17G FH206 -18G FH206 -19G FH206 -20G FH206 -30mmG	LP-206-HA			
FHLP206 -19G	1 3/16	39.69	165.1	120.7	44.6	16.7	20.6	13.5	80.2	35.70	9.00	14.82	44.50						
FHLP206 -20G	1 1/4(s)																		
FHLP206 -30mmG	30mm																		
FHLP207 -20G	1 1/4																		
FHLP207 -21G	1 5/16	1 13/16	6 9/16	5	1 13/16	21/32	13/16	21/32	3 5/8	1.53	0.374	0.63	2.19	1/2	FH207 -20G FH207 -21G FH207 -22G FH207 -23G FH207 -35mmG	LP-207-HA			
FHLP207 -22G	1 3/8	46.04	166.7	127.0	45.8	16.7	20.6	16.7	92.1	38.90	9.50	15.90	55.60						
FHLP207 -23G	1 7/16																		
FHLP207 -35mmG	35mm																		
FHP208 -24G	1 1/2	1 15/16	7 1/4	5 13/32	1 59/64	21/32	13/16	13/16	4	1.72	0.433	0.76	2.38	1/2	FH208 -24G FH208 -25G FH208 -40mmG	P-208-HA			
FHP208 -25G	1 9/16	49.21	184.2	137.3	48.8	16.7	20.6	20.6	101.6	43.70	11.00	19.18	60.40						
FHP208 -40mmG	40mm																		
FHLP209 -26G	1 5/8																		
FHLP209 -27G	1 11/16	2 1/16	7 15/32	5 3/4	2 1/64	21/32	13/16	11/16	4 3/16	1.72	0.433	0.76	2.50	1/2	FH209 -26G FH209 -27G FH209 -28G FH209 -45mmG	LP-209-HA			
FHLP209 -28G	1 3/4	52.39	189.7	146.1	51.2	16.7	20.6	17.5	106.4	43.70	11.00	19.18	63.50						
FHLP209 -45mmG	45mm																		
FHLP210 -29G	1 13/16																		
FHLP210 -30G	1 7/8	2 3/16	8 1/8	6 1/4	2 3/16	25/32	7/8	11/16	4 1/2	1.72	0.433	0.76	2.75	5/8	FH210 -29G FH210 -30G FH210 -31G FH210 -32G FH210 -50mmG	LP-210-HT			
FHLP210 -31G	1 15/16	55.56	206.4	158.8	55.6	19.8	22.2	17.5	114.3	43.70	11.00	19.18	69.90						
FHLP210 -32G	2(s)																		
FHLP210 -50mmG	50mm																		
FHLP211 -32G	2																		
FHLP211 -33G	2 1/16	2 7/16	8 5/8	6 29/32	2 5/16	25/32	1 1/16	13/16	4 29/32	1.91	0.492	0.79	3.00	5/8	FH211 -32G FH211 -33G FH211 -34G FH211 -35G FH211 -55mmG	LP-211-HT			
FHLP211 -34G	2 1/8	61.91	219.1	175.4	58.9	19.8	26.9	20.6	124.6	48.40	12.50	20.00	76.20						
FHLP211 -35G	2 3/16																		
FHLP211 -55mmG	55mm																		
FHLP212 -36G	2 1/4																		
FHLP212 -37G	2 5/16	2 11/16	9 1/2	7 13/32	2 27/64	25/32	1 5/32	13/16	5 1/2	1.94	0.532	0.79	3.31	5/8	FH212 -36G FH212 -37G FH212 -38G FH212 -39G FH212 -60mmG	LP-212-HT			
FHLP212 -38G	2 3/8	68.26	241.3	188.2	61.6	19.8	29.4	20.6	139.7	49.30	13.50	20.00	84.20						
FHLP212 -39G	2 7/16																		
FHLP212 -60mmG	60mm																		

Standard Mounted Units

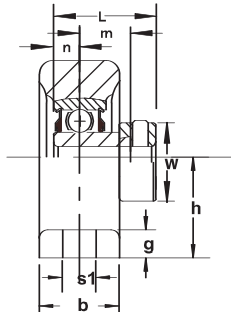


Pillow Blocks – Cast Iron, Light Duty

FHSPWC200-G / FHPWC200-G Series



FHSPWC200-G



FHPWC200-G

- Light duty, high-grade cast iron
- Solid foot housing design
- Narrow inner ring bearing
- Relubricatable unit (shown)
- Non-relubricatable unit available (omit "G" from unit part number)
- Standard seal: RST tight riding, full cover, metal shroud seals

Optional seals: See page 85

FHSPWC200-G Set Screw Locking

Unit No.	Dimensions <small>in</small> <small>mm</small>													Bearing No.	Housing No.
	Shaft Diam.	h	a	e	b	s1	s2	g	w	Bi	n	Bolt Size In.			
FHSPWC204 -12G FHSPWC204 -13G FHSPWC204 -20mmG	3/4 13/16 20mm	1 15/16 33.34	4 29/32 124.6	3 13/16 96.8	1 1/16 26.9	7/16 11.1	5/8 15.9	1/2 12.7	2 9/16 65.1	0.98 25.00	0.295 7.50	3/8	FHS204 -12G FHS204 -13G FHS204 -20mmG	PWC-204-HA	
FHSPWC205 -12G FHSPWC205 -13G FHSPWC205 -14G FHSPWC205 -15G FHSPWC205 -16G FHSPWC205 -25mmG	3/4 13/16 7/8 15/16 1 25mm	1 7/16 36.51	5 1/8 130.2	3 15/16 100.0	1 5/32 29.4	7/16 11.1	5/8 15.9	1/2 12.7	2 25/32 70.6	1.06 27.00	0.295 7.50	3/8	FHS205 -12G FHS205 -13G FHS205 -14G FHS205 -15G FHS205 -16G FHS205 -25mmG	PWC-205-HA	
FHSPWC206 -17G FHSPWC206 -18G FHSPWC206 -19G FHSPWC206 -20G FHSPWC206 -30mmG	1 1/16 1 1/8 1 3/16 1 1/4(s) 30mm	1 11/16 42.86	6 1/8 155.6	4 23/32 119.9	1 3/16 30.2	9/16 14.3	13/16 20.6	19/32 15.1	3 1/4 82.6	1.18 30.00	0.354 9.00	1/2	FHS206 -17G FHS206 -18G FHS206 -19G FHS206 -20G FHS206 -30mmG	PWC-206-HA	
FHSPWC207 -20G FHSPWC207 -21G FHSPWC207 -22G FHSPWC207 -23G FHSPWC207 -35mmG	1 1/4 1 5/16 1 3/8 1 7/16 35mm	1 7/8 47.63	6 1/2 165.1	5 127.0	1 3/8 34.9	9/16 14.3	13/16 20.6	5/8 15.9	3 21/32 92.9	1.26 32.00	0.374 9.50	1/2	FHS207 -20G FHS207 -21G FHS207 -22G FHS207 -23G FHS207 -35mmG	PWC-207-HA	

FHPWC200-G Eccentric Locking Collar

Unit No.	Dimensions <small>in</small> <small>mm</small>														Bolt Size In.	Bearing No.	Housing No.
	Shaft Diam.	h	a	e	b	s1	s2	g	w	L	n	m	i	W			
FHPWC204 -12G FHPWC204 -20mmG	3/4 20mm	1 15/16 33.34	4 29/32 124.6	3 13/16 96.8	1 1/16 26.9	7/16 11.1	5/8 15.9	1/2 12.7	2 9/16 65.1	1.22 31.00	0.295 7.50	0.55 13.91	0.3776 9.59	1.26 32.00	3/8	FH204 -12G FH204 -20mmG	PWC-204-HA
FHPWC205 -13G FHPWC205 -14G FHPWC205 -15G FHPWC205 -16G FHPWC205 -25mmG	13/16 7/8 15/16 1 25mm	1 7/16 36.51	5 1/8 130.2	3 15/16 100.0	1 5/32 29.4	7/16 11.1	5/8 15.9	1/2 12.7	2 25/32 70.6	1.22 31.00	0.295 7.50	0.55 14.00	0.3740 9.50	1.50 38.10	3/8	FH205 -13G FH205 -14G FH205 -15G FH205 -16G FH205 -25mmG	PWC-205-HA
FHPWC206 -17G FHPWC206 -18G FHPWC206 -19G FHPWC206 -20G FHPWC206 -30mmG	1 1/16 1 1/8 1 3/16 1 1/4(s) 30mm	1 11/16 42.86	6 1/8 155.6	4 23/32 119.9	1 3/16 30.2	9/16 14.3	13/16 20.6	19/32 15.1	3 1/4 82.6	1.41 35.70	0.354 9.00	0.58 14.82	0.4677 11.88	1.75 44.50	1/2	FH206 -17G FH206 -18G FH206 -19G FH206 -20G FH206 -30mmG	PWC-206-HA
FHPWC207 -20G FHPWC207 -21G FHPWC207 -22G FHPWC207 -23G FHPWC207 -35mmG	1 1/4 1 5/16 1 3/8 1 7/16 35mm	1 7/8 47.63	6 1/2 165.1	5 127.0	1 3/8 34.9	9/16 14.3	13/16 20.6	5/8 15.9	3 21/32 92.9	1.53 38.90	0.374 9.50	0.63 15.90	0.5315 13.50	2.19 55.60	1/2	FH207 -20G FH207 -21G FH207 -22G FH207 -23G FH207 -35mmG	PWC-207-HA

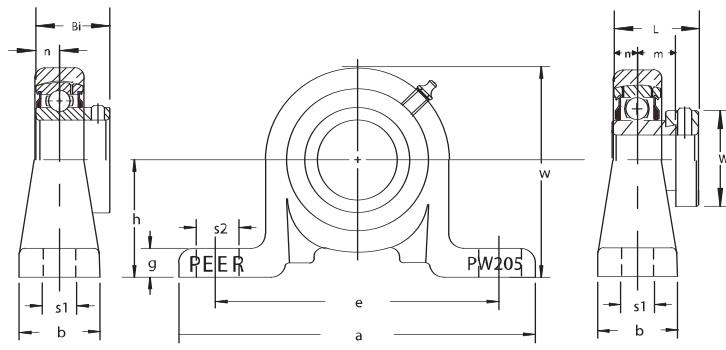
Pillow Blocks – Ductile, Light Duty

FHSPW200-G / FHPW200-G Series



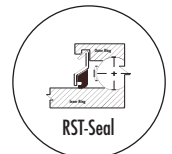
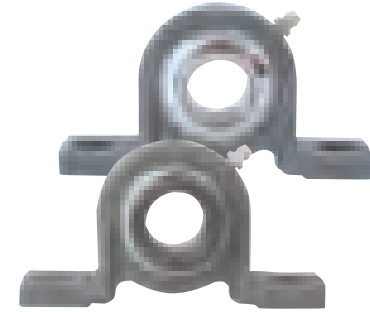
- Light duty, high strength ductile iron
- Solid foot housing design
- Narrow inner ring bearing
- Relubricatable unit (shown)
- Non-relubricatable unit available (omit "G" from unit part number)
- Standard seal: RST tight riding, full cover, metal shroud seals

Optional seals: See page 85



FHSPW200-G

FHPW200G



FHSPW200-G Set Screw Locking

Dimensions in mm														
Unit No.	Shaft Diam.	h	a	e	b	s1	s2	g	w	Bi	n	Bolt Size In.	Bearing No.	Housing No.
FHSPW201 -8G FHSPW201 -12mmG FHSPW202 -9G FHSPW202 -10G FHSPW202 -15mmG FHSPW203 -11G FHSPW203 -17mmG	1/2 12mm 9/16 5/8 15mm 11/16 17mm	1 3/16 30.16	4 7/16 112.7	3 7/16 87.3	1 25.4	7/16 11.1	5/8 15.9	11/32 8.7	2 5/32 54.8	0.89 22.50	0.256 6.50	3/8	FHS201 -8G FHS201 -12mmG FHS202 -9G FHS202 -10G FHS202 -15mmG FHS203 -11G FHS203 -17mmG	PW-203-HA
FHSPW204 -12G FHSPW204 -13G FHSPW204 -20mmG	3/4 13/16 20mm	1 5/16 33.34	4 3/4 120.7	3 13/16 96.8	1 1/16 26.9	7/16 11.1	5/8 15.9	3/8 9.5	2 7/16 61.9	0.98 25.00	0.295 7.50	3/8	FHS204 -12G FHS204 -13G FHS204 -20mmG	PW-204-HA
FHSPW205 -12G FHSPW205 -13G FHSPW205 -14G FHSPW205 -15G FHSPW205 -16G FHSPW205 -25mmG	3/4 13/16 7/8 15/16 1 25mm	1 7/16 36.51	5 127.0	3 15/16 100.0	1 1/8 28.6	7/16 11.1	5/8 15.9	13/32 10.3	2 11/16 68.3	1.06 27.00	0.295 7.50	3/8	FHS205 -12G FHS205 -13G FHS205 -14G FHS205 -15G FHS205 -16G FHS205 -25mmG	PW-205-HA
FHSPW206 -17G FHSPW206 -18G FHSPW206 -19G FHSPW206 -20G FHSPW206 -30mmG	1 1/16 1 1/8 1 3/16 1 1/4(s) 30mm	1 11/16 42.86	5 15/16 150.8	4 23/32 119.8	1 5/16 33.3	9/16 14.3	13/16 20.6	7/16 11.1	3 5/32 80.2	1.18 30.00	0.354 9.00	1/2	FHS206 -17G FHS206 -18G FHS206 -19G FHS206 -20G FHS206 -30mmG	PW-206-HA
FHSPW207 -20G FHSPW207 -21G FHSPW207 -22G FHSPW207 -23G FHSPW207 -35mmG	1 1/4 1 5/16 1 3/8 1 7/16 35mm	1 7/8 47.63	6 1/4 158.8	5 127.0	1 3/8 34.9	9/16 14.3	13/16 20.6	7/16 11.1	3 9/16 90.5	1.26 32.00	0.374 9.50	1/2	FHS207 -20G FHS207 -21G FHS207 -22G FHS207 -23G FHS207 -35mmG	PW-207-HA

Standard Mounted Units

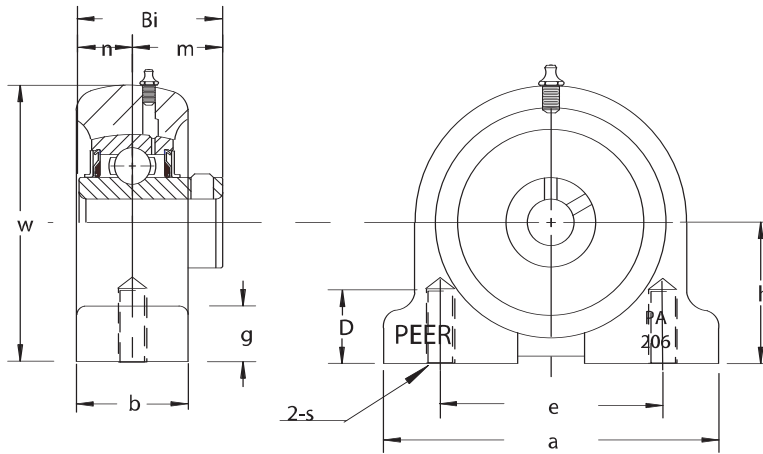
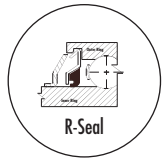
FHPW200-G Eccentric Locking Collar

Dimensions in mm																	
Unit No.	Shaft Diam.	h	a	e	b	s1	s2	g	w	L	n	m	i	W	Bolt Size In.	Bearing No.	Housing No.
FHPW201 -8G FHPW201 -12mmG FHPW202 -9G FHPW202 -10G FHPW202 -15mmG FHPW203 -11G FHPW203 -17mmG	1/2 12mm 9/16 5/8 15mm 11/16 17mm	1 3/16 30.16	4 7/16 112.7	3 7/16 87.3	1 25.4	7/16 11.1	5/8 15.9	11/32 8.7	2 5/32 54.8	1.13 28.60	0.256 6.50	0.49 12.55	0.3760 9.55	1.13 28.60	3/8	FH201 -8G FH201 -12mmG FH202 -9G FH202 -10G FH202 -15mmG FH203 -11G FH203 -17mmG	PW-203-HA
FHPW204 -12G FHPW204 -20mmG	3/4 20mm	1 5/16 33.34	4 3/4 120.7	3 13/16 96.8	1 1/16 26.9	7/16 11.1	5/8 15.9	3/8 9.5	2 7/16 61.9	1.22 31.00	0.295 7.50	0.55 13.91	0.3776 9.59	1.26 32.00	3/8	FH204 -12G FH204 -20mmG	PW-204-HA
FHPW205 -13G FHPW205 -14G FHPW205 -15G FHPW205 -16G FHPW205 -25mmG	13/16 7/8 15/16 1 25mm	1 7/16 36.51	5 127.0	3 15/16 100.0	1 1/8 28.6	7/16 11.1	5/8 15.9	13/32 10.3	2 11/16 68.3	1.22 31.00	0.295 7.50	0.55 14.00	0.3740 9.50	1.50 38.10	3/8	FH205 -13G FH205 -14G FH205 -15G FH205 -16G FH205 -25mmG	PW-205-HA
FHPW206 -17G FHPW206 -18G FHPW206 -19G FHPW206 -20G FHPW206 -30mmG	1 1/16 1 1/8 1 3/16 1 1/4(s) 30mm	1 11/16 42.86	5 15/16 150.8	4 23/32 119.8	1 5/16 33.3	9/16 14.3	13/16 20.6	7/16 11.1	3 5/32 80.2	1.41 35.70	0.354 9.00	0.58 14.82	0.4677 11.88	1.75 44.50	1/2	FH206 -17G FH206 -18G FH206 -19G FH206 -20G FH206 -30mmG	PW-206-HA
FHPW207 -20G FHPW207 -21G FHPW207 -22G FHPW207 -23G FHPW207 -35mmG	1 1/4 1 5/16 1 3/8 1 7/16 35mm	1 7/8 47.63	6 1/4 158.8	5 127.0	1 3/8 34.9	9/16 14.3	13/16 20.6	7/16 11.1	3 9/16 90.5	1.53 38.90	0.374 9.50	0.63 15.90	0.5315 13.50	2.19 55.60	1/2	FH207 -20G FH207 -21G FH207 -22G FH207 -23G FH207 -35mmG	PW-207-HA



Pillow Blocks – Tapped Base

UCPA200 Series Set Screw Locking



- Standard duty, high-grade cast iron
- Solid foot housing design
- Wide inner ring bearing
- Relubricatable unit with anti-rotation pin
- Standard seal: R-Seal

Triple lip seal and other options: See page 85

Dimensions in mm

Unit No.	Shaft Diam.	h	a	e	b	S UNC	w	g	D	Bi	n	m	Bolt Size In.	Bearing No.	Housing No.
UCPA201 -8 UCPA201 -12mm UCPA202 -9 UCPA202 -10 UCPA202 -15mm UCPA203 -11 UCPA203 -17mm	1/2 12mm 9/16 5/8 15mm 11/16 17mm	1 3/16 30.2	3 76.2	2 3/64 51.9	1 9/16 39.7	3/8-16	2 7/16 61.9	7/16 11.1	1/2 12.7	1.22 31.00	0.500 12.70	0.720 18.30	3/8	UC201 -8 UC201 -12mm UC202 -9 UC202 -10 UC202 -15mm UC203 -11 UC203 -17mm	PA-204-HT
UCPA204 -12 UCPA204 -13 UCPA204 -20mm	3/4 13/16 20mm	1 3/16 30.2	3 76.2	2 3/64 51.9	1 9/16 39.7	3/8-16	2 7/16 61.9	7/16 11.1	1/2 12.7	1.22 31.00	0.500 12.70	0.720 18.30	3/8	UC204 -12 UC204 -13 UC204 -20mm	PA-204-HT
UCPA205 -13 UCPA205 -14 UCPA205 -15 UCPA205 -16 UCPA205 -25mm	13/16 7/8 15/16 1 25mm	1 7/16 36.5	3 5/16 84.1	2 13/64 55.9	1 25/32 45.2	3/8-16	2 27/32 72.2	15/32 11.9	1/2 12.7	1.34 34.00	0.563 14.30	0.776 19.70	3/8	UC205 -13 UC205 -14 UC205 -15 UC205 -16 UC205 -25mm	PA-205-HT
UCPA206 -17 UCPA206 -18 UCPA206 -19 UCPA206 -20 UCPA206 -30mm	1 1/16 1 1/8 1 3/16 1 1/4(s) 30mm	1 11/16 42.8	3 11/16 93.7	2 19/32 65.9	1 31/32 50.0	7/16-14	3 5/16 84.1	15/32 11.9	5/8 15.9	1.50 38.10	0.626 15.90	0.874 22.20	7/16	UC206 -17 UC206 -18 UC206 -19 UC206 -20 UC206 -30mm	PA-206-HT
UCPA207 -20 UCPA207 -21 UCPA207 -22 UCPA207 -23 UCPA207 -35mm	1 1/4 1 5/16 1 3/8 1 7/16 35mm	1 7/8 47.6	4 11/32 110.3	3 5/32 80.2	2 5/32 54.8	1/2-13	3 3/4 95.3	1/2 12.7	3/4 19.1	1.69 42.90	0.689 17.50	1.000 25.40	1/2	UC207 -20 UC207 -21 UC207 -22 UC207 -23 UC207 -35mm	PA-207-HT
UCPA208 -24 UCPA208 -25 UCPA208 -40mm	1 1/2 1 9/16 40mm	1 15/16 49.2	4 9/16 115.9	3 5/16 84.1	2 9/32 57.9	1/2-13	3 15/16 100.0	1/2 12.7	3/4 19.1	1.94 49.20	0.748 19.00	1.189 30.20	1/2	UC208 -24 UC208 -25 UC208 -40mm	PA-208-HT
UCPA209 -26 UCPA209 -27 UCPA209 -28 UCPA209 -45mm	1 5/8 1 11/16 1 3/4 45mm	2 9/64 54.4	4 23/32 119.8	3 35/64 90.1	2 3/8 60.3	1/2-13	4 1/4 107.9	1/2 12.7	3/4 19.1	1.94 49.20	0.748 19.00	1.189 30.20	1/2	UC209 -26 UC209 -27 UC209 -28 UC209 -45mm	PA-209-HT
UCPA210 -29 UCPA210 -30 UCPA210 -31 UCPA210 -32 UCPA210 -50mm	1 13/16 1 7/8 1 15/16 2(s) 50mm	2 1/4 57.2	5 1/8 130.2	3 45/64 94.1	2 17/32 64.3	5/8-11	4 9/16 115.9	9/16 14.3	7/8 22.2	2.03 51.60	0.748 19.00	1.283 32.60	5/8	UC210 -29 UC210 -30 UC210 -31 UC210 -32 UC210 -50mm	PA-210-HT

1. Coarse threads are standard. Special threading is available upon request.
2. PA series can also be combined with the following inserts: HC, FH, FHS and GR series bearings

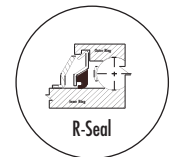
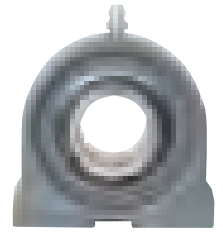
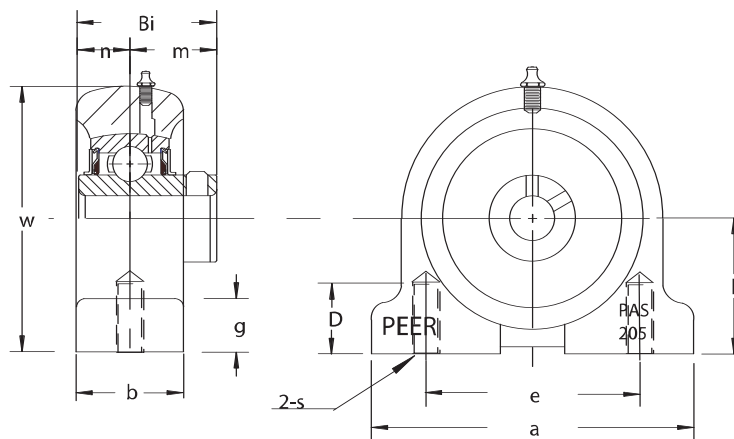
Pillow Blocks – Tapped Base

UCPAS200 Series Set Screw Locking



- Similar to our PA series, but follows USA/Domestic dimensions
- Standard duty, high-grade cast iron
- Solid foot housing design
- Wide inner ring bearing
- Relubricatable unit with anti-rotation pin
- Standard seal: R-Seal

Triple lip seal and other options: See page 85



Unit No.	Shaft Diam.	Dimensions ⁱⁿ / _{mm}											Bolt Size In.	Bearing No.	Housing No.			
		h	a	e	b	S UNC	g	w	D	Bi	n	m						
UCPAS201 -8	1/2																	
UCPAS201 -12mm	12mm																	
UCPAS202 -9	9/16	1 5/16	3 1/8	2	1 1/2	3/8-16	7/16	2 9/16	1/2	1.22	0.500	0.720	3/8	UC201 -8	PAS-204-HT			
UCPAS202 -10	5/8	33.3	79.4	50.8	38.1		11.1	65.1	12.7	31.00	12.70	18.30	UC201 -12mm					
UCPAS202 -15mm	15mm													UC202 -9				
UCPAS203 -11	11/16													UC202 -10				
UCPAS203 -17mm	17mm													UC202 -15mm				
UCPAS204 -12	3/4	1 5/16	3 1/8	2	1 1/2	3/8-16	7/16	2 9/16	1/2	1.22	0.500	0.720	3/8	UC203 -11	PAS-204-HT			
UCPAS204 -13	13/16	33.3	79.4	50.8	38.1		11.1	65.1	12.7	31.00	12.70	18.30	UC203 -17mm					
UCPAS204 -20mm	20mm													UC204 -12				
UCPAS205 -13	13/16													UC204 -13	PAS-205-HT			
UCPAS205 -14	7/8	1 7/16	3	2	1 1/2	3/8-16	15/32	2 13/16	1/2	1.34	0.563	0.776	3/8	UC204 -20mm				
UCPAS205 -15	15/16	36.5	76.2	50.8	38.1		11.9	71.4	12.7	34.00	14.30	19.70	UC205 -13					
UCPAS205 -16	1													UC205 -14				
UCPAS205 -25mm	25mm													UC205 -15				
UCPAS206 -17	1 1/16	1 11/16	4	3	1 1/2	7/16-14	15/32	3 3/8	5/8	1.50	0.626	0.874	7/16	UC205 -16	PAS-206-HT			
UCPAS206 -18	1 1/8	42.9	101.6	76.2	38.1		11.9	85.7	15.9	38.10	15.90	22.20	UC205 -25mm					
UCPAS206 -19	1 3/16													UC206 -17				
UCPAS206 -20	1 1/4(s)													UC206 -18				
UCPAS206 -30mm	30mm													UC206 -19				
UCPAS207 -20	1 1/4	1 7/8	4 1/4	3 1/4	1 7/8	1/2-13	1/2	3 3/4	3/4	1.69	0.689	1.000	1/2	UC206 -20	PAS-207-HT			
UCPAS207 -21	1 5/16	47.6	107.9	82.5	47.6		12.7	95.3	19.1	42.90	17.50	25.40	UC206 -30mm					
UCPAS207 -22	1 3/8													UC207 -20				
UCPAS207 -23	1 7/16													UC207 -21				
UCPAS207 -35mm	35mm													UC207 -22				
UCPAS208 -24	1 1/2	1 15/16	4 5/8	3 1/2	1 7/8	1/2-13	1/2	3 15/16	3/4	1.94	0.748	1.189	1/2	UC207 -23	PAS-208-HT			
UCPAS208 -25	1 9/16	49.2	117.5	88.9	47.6		12.7	100.0	19.1	49.20	19.00	30.20	UC207 -35mm					
UCPAS208 -40mm	40mm													UC208 -24				
UCPAS209 -26	1 5/8	2 1/8	5	3 3/4	2	1/2-13	1/2	4 1/4	3/4	1.94	0.748	1.189	1/2	UC208 -25	PAS-209-HT			
UCPAS209 -27	1 11/16	54.0	127.0	95.3	50.8		12.7	107.9	19.1	49.20	19.00	30.20	UC208 -40mm					
UCPAS209 -28	1 3/4													UC209 -26				
UCPAS209 -45mm	45mm													UC209 -27				
UCPAS210 -29	1 13/16													UC209 -28				
UCPAS210 -30	1 7/8	2 1/4	5 1/2	4	2	5/8-11	9/16	4 5/8	7/8	2.03	0.748	1.283	5/8	UC209 -45mm	PAS-210-HT			
UCPAS210 -31	1 15/16	57.1	139.7	101.6	50.8		14.3	117.5	22.2	51.60	19.00	32.60	UC210 -29					
UCPAS210 -32	2(s)													UC210 -30				
UCPAS210 -50mm	50mm													UC210 -31				
														UC210 -32				

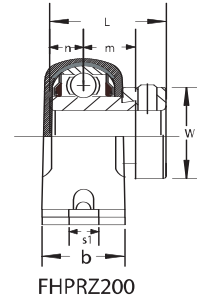
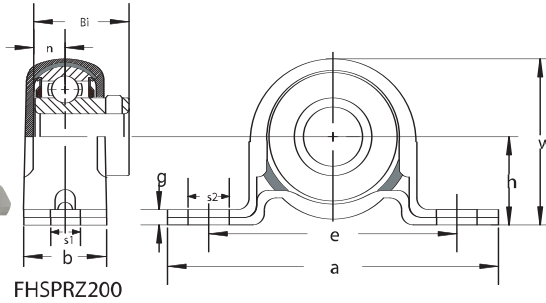
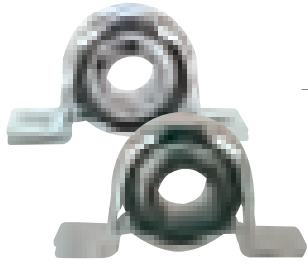
Standard Mounted Units

1. Coarse threads are standard. Special threading is available upon request.
 2. PAS series can also be combined with the following inserts: HC, FH, FHS and GR series bearings



Pillow Blocks – Rubber Cushioned Pressed Steel

FHSPRZ200 / FHPRZ200 Series



- Light duty, self-aligning pressed steel housings
- Conductive rubber bearing liner reduces noise/vibration and static electricity
- Two piece housing units are available with inter-locking feature (IL suffix shown) or non-locking (NL suffix)
- Narrow inner ring bearing
- Standard seal: RST tight riding, full cover, metal shroud seals

Optional seals: See page 85

FHSPRZ200 Set Screw Locking

Dimensions in mm																
Unit No.	Shaft Diam.	h	a	e	b	s1	s2	g	w	Bi	n	Bolt Size In.	Bearing No.	Rubber Ring No.	Housing No.	
FHSPRZ201 -8-IL FHSPRZ201 -12m-IL FHSPRZ202 -9-IL FHSPRZ202 -10-IL FHSPRZ202 -15m-IL FHSPRZ203 -11-IL FHSPRZ203 -17m-IL	1/2 12mm 9/16 5/8 15mm 11/16 17mm	1 25.40	4 1/8 104.76	3 76.2	1 25.40	13/32 10.32	1/2 12.70	.148 3.76	2 1/16 52.39	0.89 22.50	0.256 6.50	5/16	FHS201 -8 FHS201 -12mm FHS202 -9 FHS202 -10 FHS202 -15mm FHS203 -11 FHS203 -17mm	RUBBER-4	PP-4Z-SETS-IL	
FHSPRZ204 -12-IL FHSPRZ204 -13-IL FHSPRZ204 -20m-IL	3/4 13/16 20mm	1 1/8 28.58	4 19/64 109.14	3 3/8 85.73	1 25.40	7/16 11.11	7/16 11.11	.127 3.23	2 7/32 56.36	0.98 25.00	0.295 7.50	3/8	FHS204 -12 FHS204 -13 FHS204 -20mm	RUBBER-5	PP-5Z-SETS-IL	
FHSPRZ205 -12-IL FHSPRZ205 -13-IL FHSPRZ205 -14-IL FHSPRZ205 -15-IL FHSPRZ205 -16-IL FHSPRZ205 -25m-IL	3/4 13/16 7/8 15/16 1 25mm	1 5/16 33.34	4 7/8 123.83	3 3/4 95.25	1 1/4 31.75	13/32 10.32	9/16 14.29	.238 6.05	2 5/8 66.68	1.06 27.00	0.295 7.50	3/8	FHS205 -12 FHS205 -13 FHS205 -14 FHS205 -15 FHS205 -16 FHS205 -25mm	RUBBER-6	PP-6Z-SETS-IL	
FHSPRZ206 -17-IL FHSPRZ206 -18-IL FHSPRZ206 -19-IL FHSPRZ206 -20-IL FHSPRZ206 -30m-IL	1 1/16 1 1/8 1 3/16 1 1/4(s) 30mm	1 9/16 39.69	5 3/4 146.05	4 1/4 107.95	1 1/4 31.75	17/32 13.49	3/4 19.05	.238 6.05	3 1/8 79.38	1.18 30.00	0.354 9.00	3/8	FHS206 -17 FHS206 -18 FHS206 -19 FHS206 -20 FHS206 -30mm	RUBBER-7	PP-7Z-SETS-IL	

FHPRZ200 Eccentric Locking Collar

Dimensions in mm																		
Unit No.	Shaft Diam.	h	a	e	b	s1	s2	g	w	L	n	m	i	W	Bolt Size In.	Bearing No.	Rubber Ring No.	Housing No.
FHPRZ201 -8-IL FHPRZ201 -12mm-IL FHPRZ202 -9-IL FHPRZ202 -10-IL FHPRZ202 -15mm-IL FHPRZ203 -11-IL FHPRZ203 -17mm-IL	1/2 12mm 9/16 5/8 15mm 11/16 17mm	1 25.40	4 1/8 104.76	3 76.2	1 25.40	13/32 10.32	1/2 12.70	.148 3.76	2 1/16 52.39	1.13 28.60	0.256 6.50	0.49 12.55	0.3760 9.55	1.13 28.60	5/16	FH201 -8 FH201 -12mm FH202 -9 FH202 -10 FH202 -15mm FH203 -11 FH203 -17mm	RUBBER-4	PP-4Z-SETS-IL
FHPRZ204 -12-IL FHPRZ204 -20mm-IL	3/4 20mm	1 1/8 28.58	4 19/64 109.14	3 3/8 85.73	1 25.40	7/16 11.11	7/16 11.11	.127 3.23	2 7/32 56.36	1.22 31.00	0.295 7.50	0.55 13.91	0.3776 9.59	1.26 32.00	3/8	FH204 -12 FH204 -20mm	RUBBER-5	PP-5Z-SETS-IL
FHPRZ205 -13-IL FHPRZ205 -14-IL FHPRZ205 -15-IL FHPRZ205 -16-IL FHPRZ205 -25mm-IL	13/16 7/8 15/16 1 25mm	1 5/16 33.34	4 7/8 123.83	3 3/4 95.25	1 1/4 31.75	13/32 10.32	9/16 14.29	.238 6.05	2 5/8 66.68	1.22 31.00	0.295 7.50	0.55 14.00	0.3740 9.50	1.50 38.10	3/8	FH205 -13 FH205 -14 FH205 -15 FH205 -16 FH205 -25mm	RUBBER-6	PP-6Z-SETS-IL
FHPRZ206 -17-IL FHPRZ206 -18-IL FHPRZ206 -19-IL FHPRZ206 -20-IL FHPRZ206 -30mm-IL	1 1/16 1 1/8 1 3/16 1 1/4(s) 30mm	1 9/16 39.69	5 3/4 146.05	4 1/4 107.95	1 1/4 31.75	17/32 13.49	3/4 19.05	.238 6.05	3 1/8 79.38	1.41 35.70	0.354 9.00	0.58 14.82	0.4677 11.88	1.75 44.50	3/8	FH206 -17 FH206 -18 FH206 -19 FH206 -20 FH206 -30mm	RUBBER-7	PP-7Z-SETS-IL

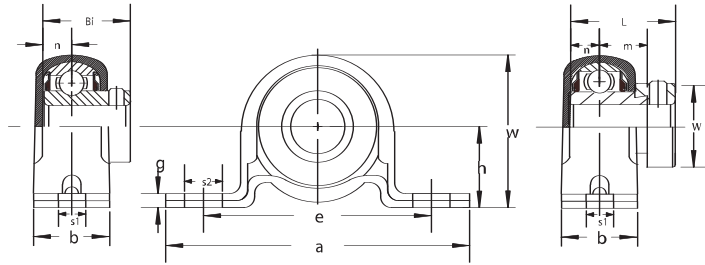
Standard housing could be made in AISI 304 Stainless Steel. Combine with Stainless Steel bearing for maximum corrosion resistance. Example: SSFHSPR206-20-IL

Pillow Blocks – Pressed Steel

FHSPZ200 / FHPPZ200 Series

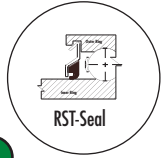
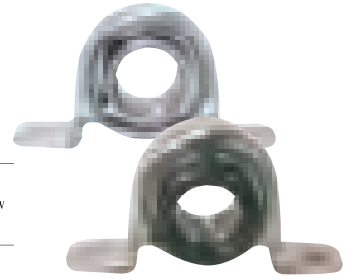


- Light duty, self-aligning pressed steel housings
- Two piece housing units are available with inter-locking feature (IL suffix shown) or non-locking (NL suffix)
- Narrow inner ring bearing
- Standard seal: RST tight riding, full cover, metal shroud seals



FHSPZ200

FHPPZ200



Optional seals: See page 85

FHSPZ200 Set Screw Locking

Unit No.	Dimensions <small>in mm</small>											Bolt Size In.	Bearing No.	Housing No.	
	Shaft Diam.	h	a	e	b	s1	s2	g	w	Bi	n				
FHSPZ201 -8-IL FHSPZ201 -12m-IL FHSPZ202 -9-IL FHSPZ202 -10-IL FHSPZ202 -15m-IL FHSPZ203 -11-IL FHSPZ203 -17m-IL	1/2 12mm 9/16 5/8 15mm 11/16 17mm		7/8 22.50	3 5/8 92.08	2 5/8 67.00	1 25.50	11/32 8.80	1/2 12.70	.148 3.60	1 13/16 46.5	0.89 22.50	0.256 6.50	5/16	FHS201 -8 FHS201 -12mm FHS202 -9 FHS202 -10 FHS202 -15mm FHS203 -11 FHS203 -17mm	PP-3Z-SETS-IL
FHSPZ204 -12-IL FHSPZ204 -13-IL FHSPZ204 -20m-IL	3/4 13/16 20mm	1 25.40	4 1/8 104.76	3 76.2	1 25.40	13/32 10.32	1/2 12.70	.148 3.76	2 1/16 52.39	0.98 25.00	0.295 7.50	5/16	FHS204 -12 FHS204 -13 FHS204 -20mm	PP-4Z-SETS-IL	
FHSPZ205 -12-IL FHSPZ205 -13-IL FHSPZ205 -14-IL FHSPZ205 -15-IL FHSPZ205 -16-IL FHSPZ205 -25m-IL	3/4 13/16 7/8 15/16 1 25mm	1 1/8 28.58	4 19/64 109.14	3 3/8 85.73	1 25.40	7/16 11.11	7/16 11.11	.127 3.23	2 7/32 56.36	1.06 27.00	0.295 7.50	3/8	FHS205 -12 FHS205 -13 FHS205 -14 FHS205 -15 FHS205 -16 FHS205 -25mm	PP-5Z-SETS-IL	
FHSPZ206 -17-IL FHSPZ206 -18-IL FHSPZ206 -19-IL FHSPZ206 -20-IL FHSPZ206 -30m-IL	1 1/16 1 1/8 1 3/16 1 1/4(s) 30mm	1 5/16 33.34	4 7/8 123.83	3 3/4 95.25	1 1/4 31.75	13/32 10.32	9/16 14.29	.238 6.05	2 5/8 66.68	1.18 30.00	0.354 9.00	3/8	FHS206 -17 FHS206 -18 FHS206 -19 FHS206 -20 FHS206 -30mm	PP-6Z-SETS-IL	
FHSPZ207 -20-IL FHSPZ207 -21-IL FHSPZ207 -22-IL FHSPZ207 -23-IL FHSPZ207 -35m-IL	1 1/4 1 5/16 1 3/8 1 7/16 35mm	1 9/16 39.69	5 3/4 146.05	4 1/4 107.95	1 1/4 31.75	17/32 13.49	3/4 19.05	.238 6.05	3 1/8 79.38	1.26 32.00	0.374 9.50	3/8	FHS207 -20 FHS207 -21 FHS207 -22 FHS207 -23 FHS207 -35mm	PP-7Z-SETS-IL	

FHPPZ200 Eccentric Locking Collar

Unit No.	Dimensions <small>in mm</small>														Bolt Size In.	Bearing No.	Housing No.	
	Shaft Diam.	h	a	e	b	s1	s2	g	w	L	n	m	i	W				
FHPPZ201 -8-IL FHPPZ201 -12mm-IL FHPPZ202 -9-IL FHPPZ202 -10-IL FHPPZ202 -15mm-IL FHPPZ203 -11-IL FHPPZ203 -17mm-IL	1/2 12mm 9/16 5/8 15mm 11/16 17mm		7/8 22.50	3 5/8 92.08	2 5/8 67.00	1 25.50	11/32 8.80	1/2 12.70	.148 3.60	1 13/16 46.5	1.13 28.60	0.256 6.50	0.49 12.55	0.3760 9.55	1.13 28.60	5/16	FH201 -8 FH201 -12mm FH202 -9 FH202 -10 FH202 -15mm FH203 -11 FH203 -17mm	PP-3Z-SETS-IL
FHPPZ204 -12-IL FHPPZ204 -20mm-IL	3/4 20mm	1 25.40	4 1/8 104.76	3 76.20	1 25.40	13/32 10.32	1/2 12.70	.148 3.76	2 1/16 52.39	1.22 31.00	0.295 7.50	0.55 13.91	0.3776 9.59	1.26 32.00	5/16	FH204 -12 FH204 -20mm	PP-4Z-SETS-IL	
FHPPZ205 -13-IL FHPPZ205 -14-IL FHPPZ205 -15-IL FHPPZ205 -16-IL FHPPZ205 -25mm-IL	13/16 7/8 15/16 1 25mm	1 1/8 28.58	4 19/64 109.14	3 3/8 85.73	1 25.40	7/16 11.11	7/16 11.11	.127 3.23	2 7/32 56.36	1.22 31.00	0.295 7.50	0.55 14.00	0.3740 9.50	1.50 38.10	3/8	FH205 -13 FH205 -14 FH205 -15 FH205 -16 FH205 -25mm	PP-5Z-SETS-IL	
FHPPZ206 -17-IL FHPPZ206 -18-IL FHPPZ206 -19-IL FHPPZ206 -20-IL FHPPZ206 -30mm-IL	1 1/16 1 1/8 1 3/16 1 1/4(s) 30mm	1 5/16 33.34	4 7/8 123.83	3 3/4 95.25	1 1/4 31.75	13/32 10.32	9/16 14.29	.238 6.05	2 5/8 66.68	1.41 35.70	0.354 9.00	0.58 14.82	0.4677 11.88	1.75 44.50	3/8	FH206 -17 FH206 -18 FH206 -19 FH206 -20 FH206 -30mm	PP-6Z-SETS-IL	
FHPPZ207 -20-IL FHPPZ207 -21-IL FHPPZ207 -22-IL FHPPZ207 -23-IL FHPPZ207 -35mm-IL	1 1/4 1 5/16 1 3/8 1 7/16 35mm	1 9/16 39.69	5 3/4 146.05	4 1/4 107.95	1 1/4 31.75	17/32 13.49	3/4 19.05	.238 6.05	3 1/8 79.38	1.53 38.90	0.374 9.50	0.63 15.90	0.5315 13.50	2.19 55.60	3/8	FH207 -20 FH207 -21 FH207 -22 FH207 -23 FH207 -35mm	PP-7Z-SETS-IL	

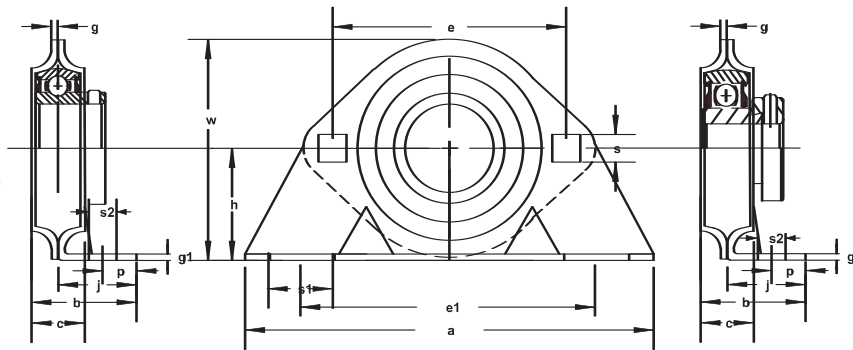
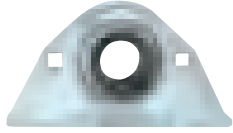
Stamped housings could be made in AISI 304 stainless steel. Combine with stainless steel bearing for maximum corrosion resistance. Example: SSFHSPZ206-20-IL

Standard Mounted Units



Pillow Blocks – Pressed Steel Stand

FHSPBPFLZ200 / FHPBPFLZ200 Series



FHSPBPFLZ200

FHPBPFLZ200 Series

- Light duty, self-aligning pressed steel housings
- Unit assembled with one piece 2-bolt flange housing (PFL) bolted to the side of a one piece stand up housing (PB)
- Narrow inner ring bearing
- Standard seal: RST tight riding, full cover, metal shroud seals

Optional seals: See page 85

FHSPBPFLZ200 Set Screw Locking

Unit No.	Shaft Diam.	Dimensions in mm														Bearing No.	Stand Housing No.	Flange No.		
		h	a	e	e1	b	s1	s2	g	g1	w	f	c	p	j				s	
FHSPBPFLZ201 -8	1/2																	FHS201 -8	PB-3Z	PFL-3Z
FHSPBPFLZ201 -12mm	12mm																	FHS201 -12mm		
FHSPBPFLZ202 -9	9/16																	FHS202 -9		
FHSPBPFLZ202 -10	5/8	13/16	47/8	21/2	35/8	19/32	5/8	13/32	.075	.104	211/32	115/16	9/16	13/32	1	9/32	7.14	FHS202 -10		
FHSPBPFLZ202 -15mm	15mm	30.16	123.83	63.50	92.08	32.54	15.89	10.32	1.91	2.64	59.53	49.21	14.29	10.32	25.40	7.14	FHS202 -15mm			
FHSPBPFLZ203 -11	11/16																	FHS203 -11	PB-4Z	PFL-4Z
FHSPBPFLZ203 -17mm	17mm																	FHS203 -17mm		
FHSPBPFLZ204 -12	3/4																	FHS204 -12		
FHSPBPFLZ204 -13	13/16	15/16	5	213/16	313/16	15/16	5/8	13/32	.083	.119	211/16	23/16	5/8	13/32	1	11/32	8.73	FHS204 -13		
FHSPBPFLZ204 -20mm	20mm	33.34	127.00	71.44	96.84	33.33	15.89	10.32	2.11	3.02	68.26	55.56	15.89	10.32	25.40	8.73	FHS204 -20mm			
FHSPBPFLZ205 -12	3/4																	FHS205 -12	PB-5Z	PFL-5Z
FHSPBPFLZ205 -13	13/16																	FHS205 -13		
FHSPBPFLZ205 -14	7/8	17/16	51/4	3	33/4	111/32	13/16	7/16	.083	.134	227/32	23/8	11/16	7/16	1	11/32	8.73	FHS205 -14		
FHSPBPFLZ205 -15	15/16	36.51	133.35	76.20	95.25	34.13	20.64	11.11	2.11	3.40	72.23	60.33	17.46	11.11	25.40	8.73	FHS205 -15			
FHSPBPFLZ205 -16	1																	FHS205 -16		
FHSPBPFLZ205 -25mm	25mm																	FHS205 -25mm		
FHSPBPFLZ206 -17	11/16																	FHS206 -17	PB-6Z	PFL-6Z
FHSPBPFLZ206 -18	11/8																	FHS206 -18		
FHSPBPFLZ206 -19	13/16	111/16	61/4	39/16	411/16	117/32	7/8	9/16	.104	.134	311/32	213/16	11/16	9/16	13/32	13/32	4.76	FHS206 -19		
FHSPBPFLZ206 -20	11/4(s)	42.86	158.75	90.49	119.06	38.89	22.23	14.29	2.64	3.40	84.93	71.44	17.46	14.29	4.76	10.32	FHS206 -20			
FHSPBPFLZ206 -30mm	30mm																	FHS206 -30mm		
FHSPBPFLZ207 -20	11/4																	FHS207 -20	PB-7Z	PFL-7Z
FHSPBPFLZ207 -21	15/16																	FHS207 -21		
FHSPBPFLZ207 -22	13/8	17/8	61/2	315/16	5	113/16	7/8	9/16	.104	.149	323/32	33/16	7/8	9/16	13/8	13/32	10.32	FHS207 -22		
FHSPBPFLZ207 -23	17/16	47.63	165.10	100.01	127.00	46.04	22.23	14.29	2.64	3.78	94.46	80.96	22.23	14.29	34.93	10.32	FHS207 -23			
FHSPBPFLZ207 -35mm	35mm																	FHS207 -35mm		

FHPBPFLZ200 Eccentric Locking Collar

Unit No.	Shaft Diam.	Dimensions in mm														Bearing No.	Stand Housing No.	Flange No.		
		h	a	e	e1	b	s1	s2	g	g1	w	f	c	p	j				s	
FHPBPFLZ201 -8	1/2																	FH201 -8	PB-3Z	PFL-3Z
FHPBPFLZ201 -12mm	12mm																	FH201 -12mm		
FHPBPFLZ202 -9	9/16																	FH202 -9		
FHPBPFLZ202 -10	5/8	13/16	47/8	21/2	35/8	19/32	5/8	13/32	.075	.104	211/32	115/16	9/16	13/32	1	9/32	7.14	FH202 -10		
FHPBPFLZ202 -15mm	15mm	30.16	123.83	63.50	92.08	32.54	15.89	10.32	1.91	2.64	59.53	49.21	14.29	10.32	25.40	7.14	FH202 -15mm			
FHPBPFLZ203 -11	11/16																	FH203 -11	PB-4Z	PFL-4Z
FHPBPFLZ203 -17mm	17mm																	FH203 -17mm		
FHPBPFLZ204 -12	3/4																	FH204 -12		
FHPBPFLZ204 -20mm	20mm	15/16	5	213/16	313/16	15/16	5/8	13/32	.083	.119	211/16	23/16	5/8	13/32	1	11/32	8.73	FH204 -20mm		
FHPBPFLZ205 -13	13/16																	FH205 -13	PB-5Z	PFL-5Z
FHPBPFLZ205 -14	7/8	17/16	51/4	3	33/4	111/32	13/16	7/16	.083	.134	227/32	23/8	11/16	7/16	1	11/32	8.73	FH205 -14		
FHPBPFLZ205 -15	15/16	36.51	133.35	76.20	95.25	34.13	20.64	11.11	2.11	3.40	72.23	60.33	17.46	11.11	25.40	8.73	FH205 -15			
FHPBPFLZ205 -16	1																	FH205 -16		
FHPBPFLZ205 -25mm	25mm																	FH205 -25mm		
FHPBPFLZ206 -17	11/16																	FH206 -17	PB-6Z	PFL-6Z
FHPBPFLZ206 -18	11/8																	FH206 -18		
FHPBPFLZ206 -19	13/16	111/16	61/4	39/16	411/16	117/32	7/8	9/16	.104	.134	311/32	213/16	11/16	9/16	13/32	13/32	4.76	FH206 -19		
FHPBPFLZ206 -20	11/4(s)	42.86	158.75	90.49	119.06	38.89	22.23	14.29	2.64	3.40	84.93	71.44	17.46	14.29	4.76	10.32	FH206 -20			
FHPBPFLZ206 -30mm	30mm																	FH206 -30mm		
FHPBPFLZ207 -20	11/4																	FH207 -20	PB-7Z	PFL-7Z
FHPBPFLZ207 -21	15/16																	FH207 -21		
FHPBPFLZ207 -22	13/8	17/8	61/2	315/16	5	113/16	7/8	9/16	.104	.149	323/32	33/16	7/8	9/16	13/8	13/32	10.32	FH207 -22		
FHPBPFLZ207 -23	17/16	47.63	165.10	100.01	127.00	46.04	22.23	14.29	2.64	3.78	94.46	80.96	22.23	14.29	34.93	10.32	FH207 -23			
FHPBPFLZ207 -35mm	35mm																	FH207 -35mm		

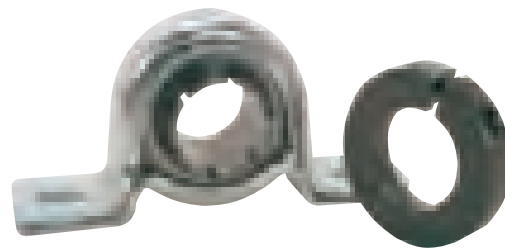
PILLOW BLOCK “SPECIALS”



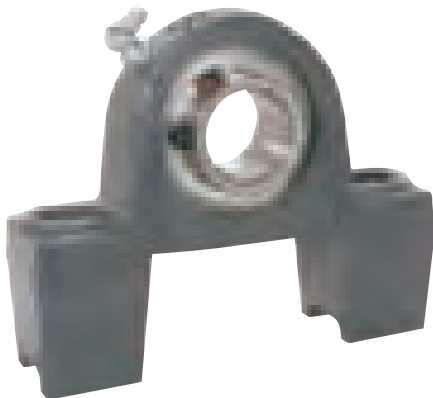
PEER offers many options and modifications on pillow blocks. In addition, PEER offers custom pillow blocks made to exact customer specifications. Below are just a few examples. Contact your sales representative for further information.



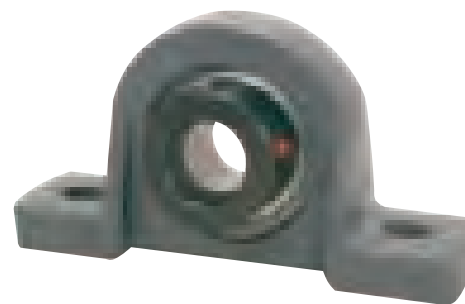
Pedestal Pillow Blocks
Cast iron UCPH series for applications requiring very high center heights



Special designed Pressed Steel Pillow Blocks
with Grip-it style bearings (GRPPZ) specially designed for air handling applications



Specially designed pillow blocks
for any application



Pillow Blocks, Modified
Example of a solid base cast iron pillow block made to customer specification. Unlike standard slotted bolt hole, this unit has round bolt holes.

Standard
Mounted Units

*Private labeling available
See page 84 for Flange & Casted specials*

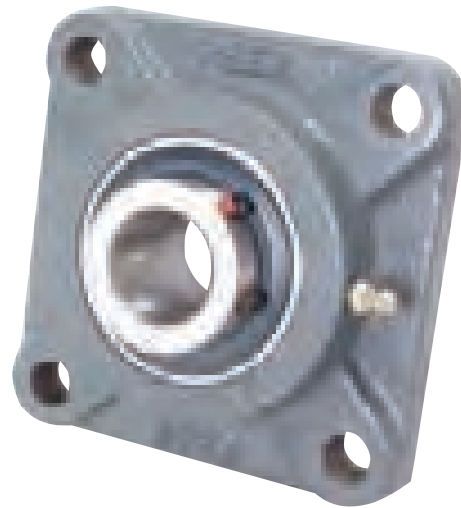


Flange Units – Standard 4 Bolt

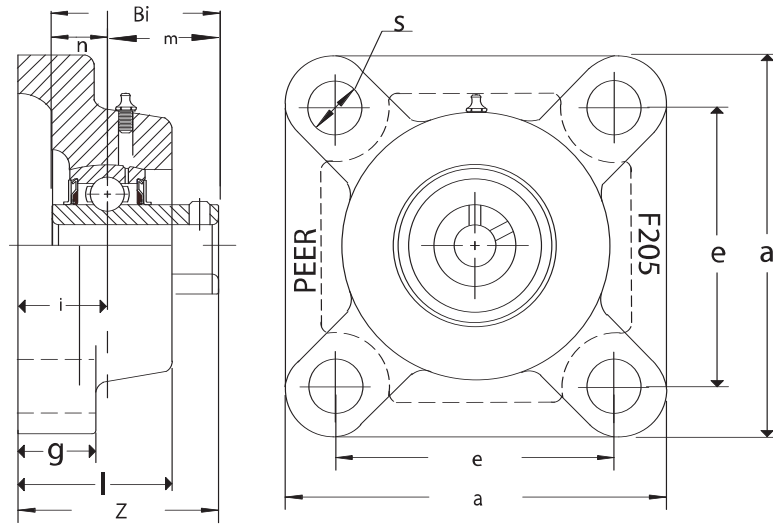
UCF200 Series Set Screw Locking

- Standard duty, high-grade cast iron
- Wide inner ring bearing
- Relubricatable unit with anti-rotation pin
- Standard seal: R-Seal

Triple lip seal and other options: See page 85



Unit No.	Shaft Diam.	Dimensions ⁱⁿ / _{mm}										Bolt Size In.	Bearing No.	Housing No.
		a	e	i	g	l	s	Z	Bi	n	m			
UCF201 -8 UCF201 -12mm UCF202 -9 UCF202 -10 UCF202 -15mm UCF203 -11 UCF203 -17mm	1/2 12mm 9/16 5/8 15mm 11/16 17mm	3 76.2	2 1/8 54.0	.592 15.00	3/8 9.5	1 25.4	27/64 11.0	1.31 33.3	1.220 31.00	0.500 12.70	0.72 18.30	3/8	UC201 -8 UC201 -12mm UC202 -9 UC202 -10 UC202 -15mm UC203 -11 UC203 -17mm	F-203-H
UCF204 -12 UCF204 -13 UCF204 -20mm	3/4 13/16 20mm	3 3/8 85.7	2 1/2 63.5	.592 15.00	7/16 11.1	1 25.4	27/64 11.0	1.31 33.3	1.220 31.00	0.500 12.70	0.72 18.30	3/8	UC204 -12 UC204 -13 UC204 -20mm	F-204-H
UCF205 -13 UCF205 -14 UCF205 -15 UCF205 -16 UCF205 -25mm	13/16 7/8 15/16 1 25mm	3 3/4 95.3	2 3/4 69.9	.631 16.00	1/2 12.7	1 1/16 26.9	15/32 12.0	1.41 35.7	1.339 34.00	0.563 14.30	0.78 19.70	3/8	UC205 -13 UC205 -14 UC205 -15 UC205 -16 UC205 -25mm	F-205-H
UCF206 -17 UCF206 -18 UCF206 -19 UCF206 -20 UCF206 -30mm	1 1/16 1 1/8 1 3/16 1 1/4(s) 30mm	4 1/4 108.0	3 1/4 82.6	.720 18.30	9/16 14.3	1 5/64 27.3	15/32 12.0	1.59 40.5	1.500 38.10	0.626 15.90	0.87 22.20	3/8	UC206 -17 UC206 -18 UC206 -19 UC206 -20 UC206 -30mm	F-206-H
UCF207 -20 UCF207 -21 UCF207 -22 UCF207 -23 UCF207 -35mm	1 1/4 1 5/16 1 3/8 1 7/16 35mm	4 19/32 116.7	3 5/8 92.1	.750 19.10	19/32 15.1	1 3/16 30.1	17/32 13.5	1.75 44.5	1.689 42.90	0.689 17.50	1.00 25.40	7/16	UC207 -20 UC207 -21 UC207 -22 UC207 -23 UC207 -35mm	F-207-H
UCF208 -24 UCF208 -25 UCF208 -40mm	1 1/2 1 9/16 40mm	5 1/8 130.2	4 101.6	.834 21.20	19/32 15.1	1 13/32 35.7	37/64 15.0	2.02 51.4	1.937 49.20	0.748 19.00	1.19 30.20	1/2	UC208 -24 UC208 -25 UC208 -40mm	F-208-H



Unit No.	Shaft Diam.	Dimensions ⁱⁿ / _{mm}										Bolt Size In.	Bearing No.	Housing No.
		a	e	i	g	l	s	Z	Bi	n	m			
UCF209 -26 UCF209 -27 UCF209 -28 UCF209 -45mm	1 5/8 1 11/16 1 3/4 45mm	5 3/8 136.5	4 1/8 105.0	.874 22.20	5/8 15.9	1 1/2 38.1	37/64 15.0	2.06 52.4	1.937 49.20	0.748 19.00	1.19 30.20	1/2	UC209 -26 UC209 -27 UC209 -28 UC209 -45mm	F-209-H
UCF210 -29 UCF210 -30 UCF210 -31 UCF210 -32 UCF210 -50mm	1 13/16 1 7/8 1 15/16 2(s) 50mm	5 5/8 142.9	4 3/8 111.1	.873 22.20	5/8 15.9	1 9/16 39.7	37/64 15.0	2.16 54.8	2.031 51.60	0.748 19.00	1.28 32.60	1/2	UC210 -29 UC210 -30 UC210 -31 UC210 -32 UC210 -50mm	F-210-H
UCF211 -32 UCF211 -33 UCF211 -34 UCF211 -35 UCF211 -55mm	2 2 1/16 2 1/8 2 3/16 55mm	6 3/8 161.9	5 1/8 130.2	.998 25.30	23/32 18.3	1 11/16 42.9	45/64 18.0	2.31 58.7	2.189 55.60	0.874 22.20	1.31 33.40	5/8	UC211 -32 UC211 -33 UC211 -34 UC211 -35 UC211 -55mm	F-211-H
UCF212 -36 UCF212 -37 UCF212 -38 UCF212 -39 UCF212 -60mm	2 1/4 2 5/16 2 3/8 2 7/16 60mm	6 7/8 174.6	5 5/8 142.9	1.156 29.40	23/32 18.3	1 7/8 47.6	45/64 18.0	2.72 69.1	2.563 65.10	1.000 25.40	1.56 39.70	5/8	UC212 -36 UC212 -37 UC212 -38 UC212 -39 UC212 -60mm	F-212-H
UCF213 -40 UCF213 -41 UCF213 -65mm	2 1/2 2 9/16 65mm	7 3/8 187.3	5 7/8 149.0	1.187 30.10	7/8 22.2	1 31/32 50.0	45/64 18.0	2.75 69.8	2.563 65.10	1.000 25.40	1.56 39.70	5/8	UC213 -40 UC213 -41 UC213 -65mm	F-213-H
UCF214 -42 UCF214 -43 UCF214 -44 UCF214 -70mm	2 5/8 2 11/16 2 3/4 70mm	7 19/32 192.9	6 152.4	1.221 31.0	7/8 22.2	2 1/8 53.9	45/64 18.0	2.97 75.4	2.937 74.60	1.189 30.20	1.75 44.40	5/8	UC214 -42 UC214 -43 UC214 -44 UC214 -70mm	F-214-H
UCF215 -45 UCF215 -46 UCF215 -47 UCF215 -48 UCF215 -75mm	2 13/16 2 7/8 2 15/16 3 75mm	7 7/8 200.0	6 1/4 158.8	1.342 34.10	7/8 22.2	2 7/32 56.4	45/64 18.0	3.09 78.6	3.063 77.80	1.311 33.30	1.75 44.50	5/8	UC215 -45 UC215 -46 UC215 -47 UC215 -48 UC215 -75mm	F-215-H
UCF216 -50 UCF216 -80mm	3 1/8 80mm	8 3/16 207.9	6 1/2 165.1	1.340 34.00	7/8 22.2	2 9/32 57.9	55/64 22.0	3.28 83.3	3.252 82.60	1.311 33.30	1.94 49.30	3/4	UC216 -50 UC216 -80mm	F-216-H
UCF217 -52 UCF217 -55 UCF217 -85mm	3 1/4 3 7/16 85mm	8 21/32 219.9	6 57/64 175.0	1.406 35.70	15/16 23.8	2 15/32 62.7	55/64 22.0	3.44 87.3	3.374 85.70	1.343 34.10	2.03 51.60	3/4	UC217 -52 UC217 -55 UC217 -85mm	F-217-H
UCF218 -56 UCF218 -90mm	3 1/2 90mm	9 1/4 234.9	7 23/64 186.9	1.565 39.80	1 25.4	2 11/16 68.3	55/64 22.0	3.78 96.1	3.780 96.00	1.563 39.70	2.22 56.30	3/4	UC218 -56 UC218 -90mm	F-218-H

Bolt hole diameter ('s' dimension) can be drilled to your specifications

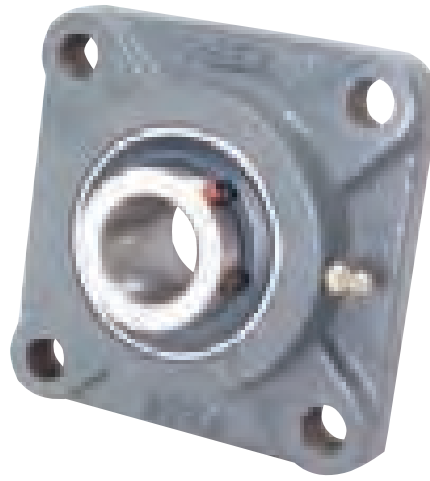
Standard Mounted Units



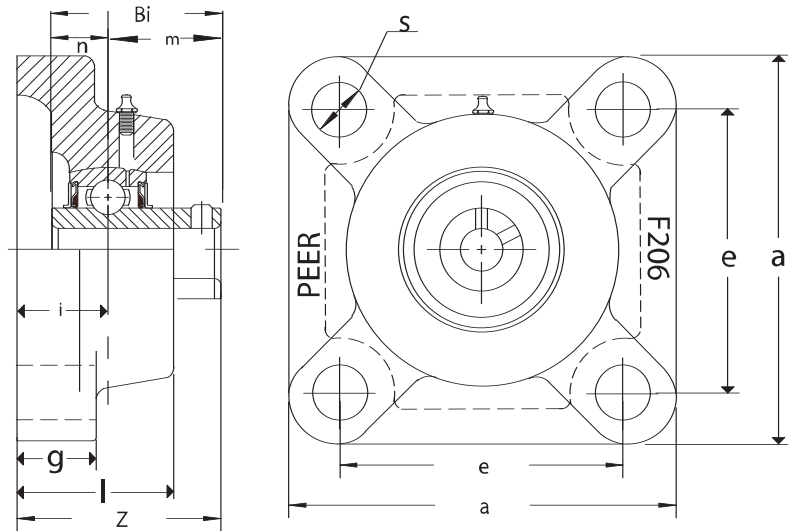
Flange Units – Medium Duty 4 Bolt UCFX00 Series Set Screw Locking

- Medium duty, high-grade cast iron
- Wide inner ring bearing
- Relubricatable unit with anti-rotation pin
- Standard seal: R-Seal

Triple lip seal and other options: See page 85



Unit No.	Dimensions ⁱⁿ / _{mm}											Bolt Size In.	Bearing No.	Housing No.
	Shaft Diam.	a	e	i	g	l	s	Z	Bi	n	m			
UCFX05 -13 UCFX05 -14 UCFX05 -15 UCFX05 -16 UCFX05 -25mm	13/16 7/8 15/16 1 25mm	4 1/4 108.0	3 1/4 82.6	.720 18.30	9/16 14.3	1 5/64 27.3	15/32 12.0	1.59 40.5	1.500 38.10	0.626 15.90	0.87 22.20	3/8	UCX05 -13 UCX05 -14 UCX05 -15 UCX05 -16 UCX05 -25mm	F-206-H
UCFX06 -17 UCFX06 -18 UCFX06 -19 UCFX06 -20 * UCFX06 -30mm	1 1/16 1 1/8 1 3/16 1 1/4 30mm	4 19/32 116.7	3 5/8 92.1	.750 19.1	19/32 15.1	1 3/16 30.1	17/32 13.5	1.75 44.5	1.689 42.90	0.689 17.50	1.00 25.40	7/16	UCX06 -17 UCX06 -18 UCX06 -19 UC207 -20 * UCX06 -30mm	F-207-H
UCFX07 -20 UCFX07 -21 UCFX07 -22 UCFX07 -23 UCFX07 -35mm	1 1/4 1 5/16 1 3/8 1 7/16 35mm	5 1/8 130.2	4 101.6	.834 21.2	19/32 15.1	1 13/32 35.7	37/64 15.0	2.02 51.4	1.937 49.20	0.748 19.00	1.19 30.20	1/2	UCX07 -20 UCX07 -21 UCX07 -22 UCX07 -23 UCX07 -35mm	F-208-H
UCFX08 -24 UCFX08 -25 UCFX08 -40mm	1 1/2 1 9/16 40mm	5 3/8 136.5	4 1/8 105.0	.874 22.2	5/8 15.9	1 1/2 38.1	37/64 15.0	2.06 52.4	1.937 49.20	0.748 19.00	1.19 30.20	1/2	UCX08 -24 UCX08 -25 UCX08 -40mm	F-209-H
UCFX09 -26 UCFX09 -27 UCFX09 -28 UCFX09 -45mm	1 5/8 1 11/16 1 3/4 45mm	5 5/8 142.9	4 3/8 111.1	.873 22.2	5/8 15.9	1 9/16 39.7	37/64 15.0	2.16 54.8	2.031 51.60	0.748 19.00	1.28 32.60	1/2	UCX09 -26 UCX09 -27 UCX09 -28 UCX09 -45mm	F-210-H
UCFX10 -29 UCFX10 -30 UCFX10 -31 UCFX10 -32 ** UCFX10 -50mm	1 13/19 1 7/8 1 15/16 2 50mm	6 3/8 161.9	5 1/8 130.2	.998 25.3	23/32 18.3	1 11/16 42.9	45/64 18.0	2.31 58.7	2.189 55.60	0.874 22.20	1.31 33.40	5/8	UCX10 -29 UCX10 -30 UCX10 -31 UC211 -32 ** UCX10 -50mm	F-211-H



Unit No.	Shaft Diam.	Dimensions <small>in</small> <small>mm</small>										Bolt Size In.	Bearing No.	Housing No.			
		a	e	i	g	l	s	Z	Bi	n	m						
UCFX11 -32	2																
UCFX11 -33	2 1/16																
UCFX11 -34	2 1/8																
UCFX11 -35	2 3/16																
UCF212 -36 ***	2 1/4																
UCFX11 -55mm	55mm	6 7/8 174.6	5 5/8 142.9	1.156 29.40	23/32 18.3	1 7/8 47.6	45/64 18.0	2.72 69.1	2.563 65.10	1.000 25.40	1.56 39.70	5/8	UCX11 -32 UCX11 -33 UCX11 -34 UCX11 -35 UC212 -36 *** UCX11 -55mm	F-212-H			
UCFX12 -37	2 5/16																
UCFX12 -38	2 3/8																
UCFX12 -39	2 7/16																
UCFX12 -60mm	60mm	7 3/8 187.3	5 7/8 149.0	1.187 30.10	7/8 22.2	1 31/32 50.0	45/64 18.0	2.75 69.8	2.563 65.10	1.000 25.40	1.56 39.70	5/8	UCX12 -37 UCX12 -38 UCX12 -39 UCX12 -60mm	F-213-H			
UCFX13 -40	2 1/2																
UCFX13 -41	2 9/16																
UCFX13 -65mm	65mm	7 19/32 192.9	6 152.4	1.221 31.00	7/8 22.2	2 1/8 53.9	45/64 18.0	2.97 75.4	2.937 74.60	1.189 30.20	1.75 44.40	5/8	UCX13 -40 UCX13 -41 UCX13 -65mm	F-214-H			
UCFX14 -42	2 5/8																
UCFX14 -43	2 11/16																
UCFX14 -44	2 3/4																
UCFX14 -70mm	70mm	7 7/8 200.0	6 1/4 158.8	1.342 34.10	7/8 22.2	2 7/32 56.4	45/64 18.0	3.09 78.6	3.063 77.80	1.311 33.30	1.75 44.50	5/8	UCX14 -42 UCX14 -43 UCX14 -44 UCX14 -70mm	F-215-H			
UCFX15 -45	2 13/16																
UCFX15 -46	2 7/8																
UCFX15 -47	2 15/16																
UCFX15 -48	3																
UCFX15 -75mm	75mm	8 3/16 207.9	6 1/2 165.1	1.340 34.00	7/8 22.2	2 9/32 57.9	55/64 22.0	3.28 83.3	3.252 82.60	1.311 33.30	1.94 49.30	3/4	UCX15 -45 UCX15 -46 UCX15 -47 UCX15 -48 UCX15 -75mm	F-216-H			
UCFX16 -50	3 1/8																
UCFX16 -80mm	80mm	8 21/32 219.9	6 57/64 175.0	1.406 35.70	15/16 23.8	2 15/32 62.7	55/64 22.0	3.44 87.3	3.374 85.70	1.343 34.10	2.03 51.60	3/4	UCX16 -50 UCX16 -80mm	F-217-H			
UCFX17 -52	3 1/4																
UCFX17 -85mm	85mm	9 1/4 234.9	7 23/64 186.9	1.565 39.80	1 25.4	2 11/16 68.3	55/64 22.0	3.78 96.1	3.780 96.00	1.563 39.70	2.22 56.30	3/4	UCX17 -52 UCX17 -85mm	F-218-H			

* UCFX06-20 uses standard UC207-20 bearing and therefore is listed as UCF207-20
 ** UCFX10-32 uses standard UC211-32 bearing and therefore is listed as UCF211-32
 *** UCFX11-36 uses standard UC212-36 bearing and therefore is listed as UCF212-36

Bolt hole diameter ('s' dimension) can be drilled to your specifications

Standard Mounted Units



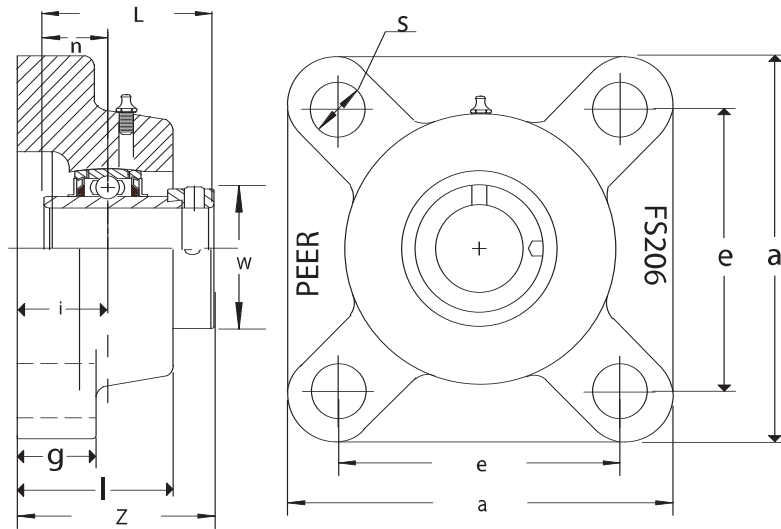
Flange Units – Standard 4 Bolt HCFS200 Series Eccentric Locking Collar

- Standard duty, high-grade cast iron
- Solid base housing design for added strength
- Wide inner ring bearing
- Relubricatable unit
- Standard seal: R-Seal

Triple lip seal and other options: See page 85



Unit No.	Shaft Diam.	Dimensions ⁱⁿ _{mm}										Bolt Size In.	Bearing No.	Housing No.
		a	e	i	g	l	s	Z	L	n	W			
HCFS201 -8 HCFS201 -12mm HCFS202 -9 HCFS202 -10 HCFS202 -15mm HCFS203 -11 HCFS203 -17mm	1/2 12mm 9/16 5/8 15mm 11/16 17mm	3 76.2	2 1/8 54.0	.657 16.70	1/2 12.7	1 3/32 27.8	25/64 10.0	1.58 40.1	1.4685 37.300	0.547 13.90	1.13 28.60	5/16	HC201 -8 HC201 -12mm HC202 -9 HC202 -10 HC202 -15mm HC203 -11 HC203 -17mm	FS-203S-H
HCFS201 -8 HCFS201 -12mm HCFS202 -9 HCFS202 -10 HCFS202 -15mm HCFS203 -11 HCFS203 -17mm	1/2 12mm 9/16 5/8 15mm 11/16 17mm	3 3/8 85.7	2 1/2 63.5	.750 19.10	3/8 9.5	1 1/8 28.8	15/32 12.0	1.80 45.6	1.7126 43.500	0.669 17.00	1.26 32.00	3/8	HC201 -8 HC201 -12mm HC202 -9 HC202 -10 HC202 -15mm HC203 -11 HC203 -17mm	FS-204-H
HCFS204 -12 HCFS204 -20mm	3/4 20mm	3 3/8 85.7	2 1/2 63.5	.750 19.10	3/8 9.5	1 1/8 28.8	15/32 12.0	1.80 45.6	1.7126 43.500	0.669 17.00	1.26 32.00	3/8	HC204 -12 HC204 -20mm	FS-204-H
HCFS205 -13 HCFS205 -14 HCFS205 -15 HCFS205 -16 HCFS205 -25mm	13/16 7/8 15/16 1 25mm	3 3/4 95.3	2 3/4 69.9	.826 20.90	7/16 11.1	1 7/32 31.2	15/32 12.0	1.88 47.8	1.7441 44.300	0.685 17.40	1.50 38.10	3/8	HC205 -13 HC205 -14 HC205 -15 HC205 -16 HC205 -25mm	FS-205-H
HCFS206 -17 HCFS206 -18 HCFS206 -19 HCFS206 -20 HCFS206 -30mm	1 1/16 1 1/8 1 3/16 1 1/4(s) 30mm	4 1/4 108.0	3 1/4 82.6	.826 20.90	5/8 15.9	1 11/32 34.3	17/32 13.5	2.01 51.0	1.9016 48.300	0.717 18.20	1.75 44.50	7/16	HC206 -17 HC206 -18 HC206 -19 HC206 -20 HC206 -30mm	FS-206-H
HCFS207 -20 HCFS207 -21 HCFS207 -22 HCFS207 -23 HCFS207 -35mm	1 1/4 1 5/16 1 3/8 1 7/16 35mm	4 5/8 117.5	3 5/8 92.1	.906 23.00	1/2 12.7	1 1/2 38.1	17/32 13.5	2.18 55.3	2.0118 51.100	0.740 18.80	2.19 55.60	7/16	HC207 -20 HC207 -21 HC207 -22 HC207 -23 HC207 -35mm	FS-207-H
HCFS208 -24 HCFS208 -25 HCFS208 -40mm	1 1/2 1 9/16 40mm	5 1/8 130.2	4 101.6	1.000 25.40	21/32 16.7	1 17/32 38.9	37/64 15.0	2.37 60.3	2.2165 56.300	0.843 21.40	2.37 60.30	1/2	HC208 -24 HC208 -25 HC208 -40mm	FS-208-H



Dimensions ⁱⁿ / _{mm}														
Unit No.	Shaft Diam.	a	e	i	g	l	s	Z	L	n	W	Bolt Size In.	Bearing No.	Housing No.
HCFS209 -26	1 5/8												HC209 -26	FS-209-H
HCFS209 -27	1 11/16	5 3/8	4 1/8	1.000	23/32	11 9/16	21/32	2.37	2.2165	0.843	2.50	9/16	HC209 -27	
HCFS209 -28	1 3/4	136.5	105.0	25.40	18.3	39.7	17.0	60.3	56.300	21.40	63.50		HC209 -28	
HCFS209 -45mm	45mm												HC209 -45mm	
HCFS210 -29	1 13/16													HC210 -29
HCFS210 -30	1 7/8	5 5/8	4 3/8	1.142	5/8	1 13/16	21/32	2.64	2.4685	0.969	2.75	9/16	HC210 -30	
HCFS210 -31	1 15/16	142.9	111.1	29.00	15.9	46.0	17.0	67.1	62.700	24.60	69.90		HC210 -31	
HCFS210 -32	2(s)												HC210 -32	
HCFS210 -50mm	50mm												HC210 -50mm	
HCFS211 -32	2													HC211 -32
HCFS211 -33	2 1/16	6 3/8	5 1/8	1.260	11/16	1 31/32	45/64	2.98	2.8110	1.091	3.00	5/8	HC211 -33	
HCFS211 -34	2 1/8	161.9	130.2	32.00	17.5	50.0	18.0	75.7	71.400	27.70	76.20		HC211 -34	
HCFS211 -35	2 3/16												HC211 -35	
HCFS211 -55mm	55mm												HC211 -55mm	
HCFS212 -36	2 1/4													HC212 -36
HCFS212 -37	2 5/16	6 7/8	5 5/8	1.343	11/16	2 5/32	45/64	3.19	3.0630	1.217	3.31	5/8	HC212 -37	
HCFS212 -38	2 3/8	174.6	142.9	34.10	17.5	54.8	18.0	81.0	77.800	30.90	84.10		HC212 -38	
HCFS212 -39	2 7/16												HC212 -39	
HCFS212 -60mm	60mm												HC212 -60mm	
HCFS213 -40	2 1/2													HC213 -40
HCFS213 -41	2 9/16	7 3/8	5 7/8	1.500	7/8	2 5/16	45/64	3.53	3.3740	1.343	3.39	5/8	HC213 -41	
HCFS213 -65mm	65mm	187.3	149.0	38.10	22.2	58.7	18.0	89.7	85.700	34.10	86.00		HC213 -65mm	
HCFS214 -42	2 5/8													HC214 -42
HCFS214 -43	2 11/16	7 19/32	6	1.500	7/8	2 7/16	45/64	3.53	3.3740	1.343	3.54	5/8	HC214 -43	
HCFS214 -44	2 3/4	192.9	152.4	38.10	22.2	61.9	18.0	89.7	85.700	34.10	90.00		HC214 -44	
HCFS214 -70mm	70mm												HC214 -70mm	
HCFS215 -45	2 13/16													HC215 -45
HCFS215 -46	2 7/8	7 7/8	6 1/4	1.609	7/8	2 9/16	45/64	3.76	3.6260	1.469	4.00	5/8	HC215 -46	
HCFS215 -47	2 15/16	200.0	158.8	40.80	22.2	65.1	18.0	95.6	92.100	37.30	101.60		HC215 -47	
HCFS215 -48	3												HC215 -48	
HCFS215 -75mm	75mm												HC215 -75mm	

Bolt hole diameter ('s' dimension) can be drilled to your specifications

Standard Mounted Units

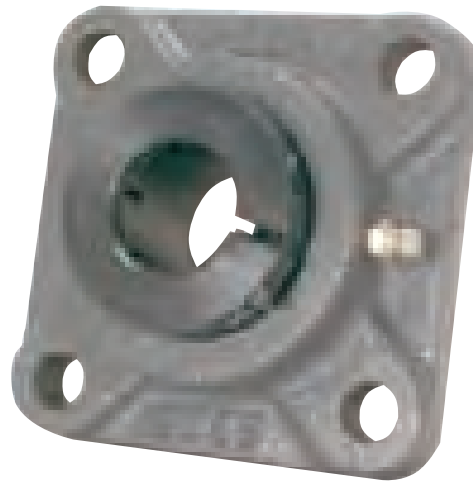


Flange Units – Standard 4 Bolt

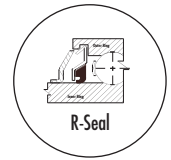
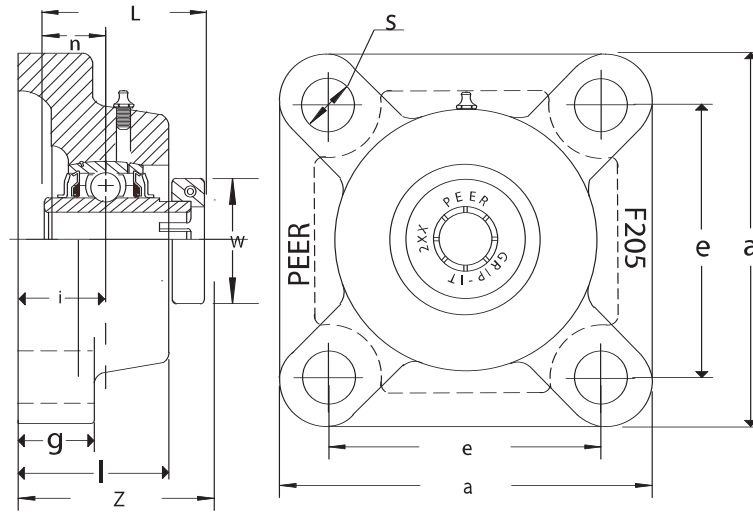
GRF200 Series GRIP-IT 360 Degree Locking

- Standard duty, high-grade cast iron
- Wide inner ring bearing
- Relubricatable unit with anti-rotation pin
- Black Oxide plated inner and outer rings
- Standard seal: R-Seal

Triple lip seal and other options: See page 85



Unit No.	Shaft Diam.	Dimensions ⁱⁿ _{mm}										Bolt Size In.	Bearing No.	Housing No.
		a	e	i	g	l	s	Z	L	n	W			
GRF204 -12 GRF204 -13 GRF204 -20mm	3/4 13/16 20mm	3 3/8 85.7	2 1/2 63.5	.592 15.00	7/16 11.1	1 25.4	27/64 11.0	1.46 37.2	1.3740 34.900	0.500 12.70	1.76 44.60	3/8	GR204 -12 GR204 -13 GR204 -20mm	F-204-H
GRF205 -13 GRF205 -14 GRF205 -15 GRF205 -16 GRF205 -25mm	13/16 7/8 15/16 1 25mm	3 3/4 95.3	2 3/4 69.9	.631 16.00	1/2 12.7	1 1/16 26.9	15/32 12.0	1.58 40.1	1.5118 38.400	0.563 14.30	1.94 49.20	3/8	GR205 -13 GR205 -14 GR205 -15 GR205 -16 GR205 -25mm	F-205-H
GRF206 -17 GRF206 -18 GRF206 -19 GRF206 -20 GRF206 -30mm	1 1/16 1 1/8 1 3/16 1 1/4(s) 30mm	4 1/4 108.0	3 1/4 82.6	.720 18.30	9/16 14.3	1 5/64 27.3	15/32 12.0	1.74 44.3	1.6496 41.900	0.626 15.90	2.19 55.50	3/8	GR206 -17 GR206 -18 GR206 -19 GR206 -20 GR206 -30mm	F-206-H
GRF207 -20 GRF207 -21 GRF207 -22 GRF207 -23 GRF207 -35mm	1 1/4 1 5/16 1 3/8 1 7/16 35mm	4 19/32 116.7	3 5/8 92.1	.750 19.10	19/32 15.1	1 3/16 30.1	17/32 13.5	1.93 49.1	1.8701 47.500	0.689 17.50	2.57 65.40	7/16	GR207 -20 GR207 -21 GR207 -22 GR207 -23 GR207 -35mm	F-207-H
GRF208 -24 GRF208 -25 GRF208 -40mm	1 1/2 1 9/16 40mm	5 1/8 130.2	4 101.6	.834 21.20	19/32 15.1	1 13/32 35.7	37/64 15.0	2.20 55.9	2.1142 53.700	0.748 19.00	2.69 68.40	1/2	GR208 -24 GR208 -25 GR208 -40mm	F-208-H
GRF209 -26 GRF209 -27 GRF209 -28 GRF209 -45mm	1 5/8 1 11/16 1 3/4 45mm	5 3/8 136.5	4 1/8 105.0	.874 22.20	5/8 15.9	1 1/2 38.1	37/64 15.0	2.25 57.1	2.1220 53.900	0.748 19.00	2.93 74.50	1/2	GR209 -26 GR209 -27 GR209 -28 GR209 -45mm	F-209-H



Unit No.	Shaft Diam.	Dimensions ⁱⁿ / _{mm}										Bolt Size In.	Bearing No.	Housing No.			
		a	e	i	g	l	s	Z	L	n	W						
GRF210 -29	1 13/16																
GRF210 -30	1 7/8																
GRF210 -31	1 15/16	5 5/8	4 3/8	.873	5/8	1 9/16	37/64	2.39	2.2677	0.748	3.39	1/2	GR210 -29	F-210-H			
GRF210 -32	2(s)	142.9	111.1	22.20	15.9	39.7	15.0	60.8	57.600	19.00	86.00		GR210 -30				
GRF210 -50mm	50mm												GR210 -31				
													GR210 -32				
GRF211 -32	2												GR210 -50mm				
GRF211 -33	2 1/16												GR211 -32	F-211-H			
GRF211 -34	2 1/8	6 3/8	5 1/8	.998	23/32	1 11/16	45/64	2.55	2.4291	0.874	3.50	5/8	GR211 -33				
GRF211 -35	2 3/16	161.9	130.2	25.30	18.3	42.9	18.0	64.8	61.700	22.20	89.00		GR211 -34				
GRF211 -55mm	55mm												GR211 -35				
													GR211 -55mm				
GRF212 -36	2 1/4												GR211 -35	F-212-H			
GRF212 -37	2 5/16	6 7/8	5 5/8	1.156	23/32	1 7/8	45/64	3.00	2.8465	1.000	4.06	5/8	GR212 -36				
GRF212 -38	2 3/8	174.6	142.9	29.40	18.3	47.6	18.0	76.3	72.300	25.40	103.00		GR212 -37				
GRF212 -39	2 7/16												GR212 -38				
GRF212 -60mm	60mm												GR212 -39				
GRF213 -40	2 1/2												GR212 -60mm	F-213-H			
GRF213 -41	2 9/16	7 3/8	5 7/8	1.187	7/8	1 31/32	45/64	3.03	2.8465	1.000	4.11	5/8	GR213 -40				
GRF213 -65mm	65mm	187.3	149.0	30.10	22.2	50.0	18.0	77.0	72.300	25.40	104.50		GR213 -41				
GRF214 -42	2 5/8												GR213 -65mm	F-214-H			
GRF214 -43	2 11/16	7 19/32	6	1.221	7/8	2 1/8	45/64	3.25	3.2205	1.189	4.39	5/8	GR214 -42				
GRF214 -44	2 3/4	192.9	152.4	31.00	22.2	53.9	18.0	82.6	81.800	30.20	111.50		GR214 -43				
GRF214 -70mm	70mm												GR214 -44				
GRF215 -45	2 13/16												GR214 -70mm	F-215-H			
GRF215 -46	2 7/8												GR215 -45				
GRF215 -47	2 15/16	7 7/8	6 1/4	1.342	7/8	2 7/32	45/64	3.39	3.3583	1.311	4.65	5/8	GR215 -46				
GRF215 -48	3	200.0	158.8	34.10	22.2	56.4	18.0	86.1	85.300	33.30	118.00		GR215 -47				
GRF215 -75mm	75mm												GR215 -48				
													GR215 -75mm				

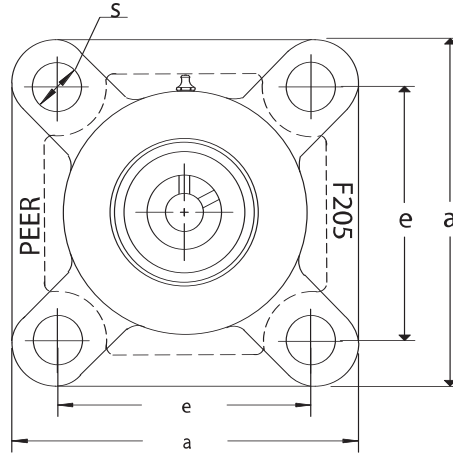
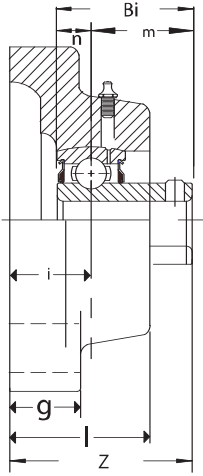
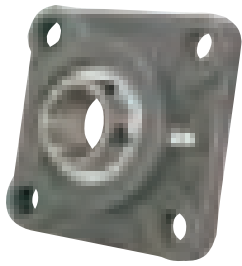
Bolt hole diameter ('s' dimension) can be drilled to your specifications

Standard Mounted Units



Flange Units – Standard 4 Bolt

FHSF200-G Series Set Screw Locking



- Standard duty, high-grade cast iron
- Narrow inner ring bearing
- Relubricatable unit (shown)
- Non-relubricatable unit available (omit "G" from unit part number)
- Standard seal: RST tight riding, full cover, metal shroud seals

Optional seals: See page 85

Dimensions ⁱⁿ / _{mm}														
Unit No.	Shaft Diam.	a	e	i	g	l	s	Z	Bi	n	m	Bolt Size In.	Bearing No.	Housing No.
FHSFJ201 -8G	1/2													
FHSFJ201 -12mmG	12mm													
FHSFJ202 -9G	9/16	3	2 1/8	.375	7/16	45/64	27/64	1.00	0.886	0.256	0.63	3/8	FHS201 -8G FHS201 -12mmG FHS202 -9G FHS202 -10G FHS202 -15mmG FHS203 -11G FHS203 -17mmG	FJ-203-H
FHSFJ202 -10G	5/8	76.2	54.0	9.50	11.1	17.9	11.0	25.5	22.50	6.50	16.00			
FHSFJ202 -15mmG	15mm													
FHSFJ203 -11G	11/16													
FHSFJ203 -17mmG	17mm													
FHSF204 -12G	3/4	3 3/8	2 1/2	.592	7/16	1	27/64	1.28	0.984	0.295	0.69	3/8	FHS204 -12G FHS204 -13G FHS204 -20mmG	F-204-H
FHSF204 -13G	13/16	85.7	63.5	15.00	11.1	25.4	11.0	32.5	25.00	7.50	17.50			
FHSF204 -20mmG	20mm													
FHSF205 -12G	3/4													
FHSF205 -13G	13/16													
FHSF205 -14G	7/8	3 3/4	2 3/4	.631	1/2	1 1/16	15/32	1.40	1.063	0.295	0.77	3/8	FHS205 -12G FHS205 -13G FHS205 -14G FHS205 -15G FHS205 -16G FHS205 -25mmG	F-205-H
FHSF205 -15G	15/16	95.3	69.9	16.00	12.7	26.9	12.0	35.5	27.00	7.50	19.50			
FHSF205 -16G	1													
FHSF205 -25mmG	25mm													
FHSF206 -17G	1 1/16													
FHSF206 -18G	1 1/8													
FHSF206 -19G	1 3/16	4 1/4	3 1/4	.720	9/16	1 5/64	15/32	1.55	1.181	0.354	0.83	3/8	FHS206 -17G FHS206 -18G FHS206 -19G FHS206 -20G FHS206 -30mmG	F-206-H
FHSF206 -20G	1 1/4(s)	108.0	82.6	18.30	14.3	27.3	12.0	39.3	30.00	9.00	21.00			
FHSF206 -30mmG	30mm													
FHSF207 -20G	1 1/4													
FHSF207 -21G	1 5/16													
FHSF207 -22G	1 3/8	4 19/32	3 5/8	.750	19/32	1 3/16	17/32	1.64	1.260	0.374	0.89	7/16	FHS207 -20G FHS207 -21G FHS207 -22G FHS207 -23G FHS207 -35mmG	F-207-H
FHSF207 -23G	1 7/16	116.7	92.1	19.10	15.1	30.1	13.5	41.6	32.00	9.50	22.50			
FHSF207 -35mmG	35mm													
FHSF208 -24G	1 1/2													
FHSF208 -25G	1 9/16	5 1/8	4	.834	19/32	1 13/32	37/64	1.90	1.496	0.433	1.06	1/2	FHS208 -24G FHS208 -25G FHS208 -40mmG	F-208-H
FHSF208 -40mmG	40mm	130.2	101.6	21.20	15.1	35.7	15.0	48.2	38.00	11.00	27.00			
FHSF209 -26G	1 5/8													
FHSF209 -27G	1 11/16	5 3/8	4 1/8	.874	5/8	1 1/2	37/64	2.00	1.555	0.433	1.12	1/2	FHS209 -26G FHS209 -27G FHS209 -28G FHS209 -45mm	F-209-H
FHSF209 -28G	1 3/4	136.5	105.0	22.20	15.9	38.1	15.0	50.700	39.50	11.00	28.50			
FHSF209 -45mmG	45mm													
FHSF210 -29G	1 13/16													
FHSF210 -30G	1 7/8													
FHSF210 -31G	1 15/16	5 5/8	4 3/8	.873	5/8	1 9/16	37/64	2.16	1.717	0.433	1.28	1/2	FHS210 -29G FHS210 -30G FHS210 -31G FHS210 -32G FHS210 -50mm	F-210-H
FHSF210 -32G	2	142.9	111.1	22.20	15.9	39.7	15.0	54.800	43.60	11.00	32.60			
FHSF210 -50mmG	50mm													
FHSF211 -32G	2													
FHSF211 -33G	2 1/16													
FHSF211 -34G	2 1/8	6 3/8	5 1/8	.998	23/32	1 11/16	45/64	3.26	1.81	0.492	1.31	5/8	FHS211 -32G FHS211 -33G FHS211 -34G FHS211 -35G FHS211 -55mm	F-211-H
FHSF211 -35G	2 3/16	161.9	130.2	25.30	18.3	42.9	18.0	82.800	45.90	12.50	33.40			
FHSF211 -55mmG	55mm													

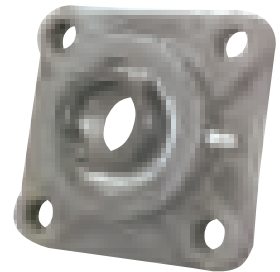
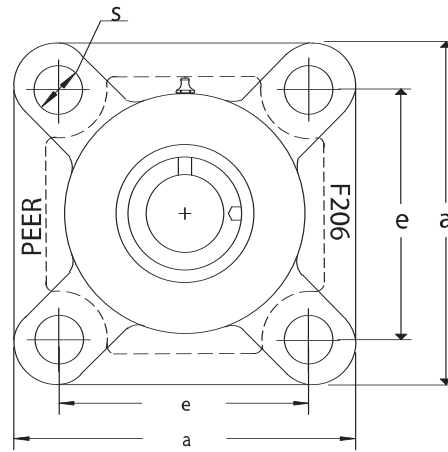
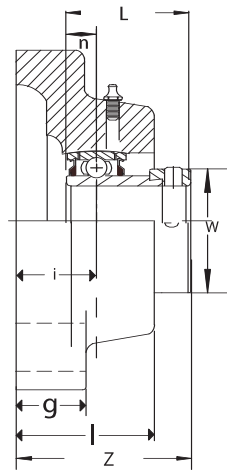
Bolt hole diameter ('s' dimension) can be drilled to your specifications

Flange Units - Standard 4 Bolt FHF200-G Series Eccentric Locking Collar



- Standard duty, high-grade cast iron
- Narrow inner ring bearing
- Relubricatable unit (shown)
- Non-relubricatable unit available (omit "G" from unit part number)
- Standard seal: RST tight riding, full cover, metal shroud seals

Optional seals: See page 85



Unit No.	Shaft Diam.	Dimensions ⁱⁿ / _{mm}										Bolt Size In.	Bearing No.	Housing No.
		a	e	i	g	l	s	Z	L	n	W			
FHFJ201 -8G FHFJ201 -12mmG FHFJ202 -9G FHFJ202 -10G FHFJ202 -15mmG FHFJ203 -11G FHFJ203 -17mmG	1/2 12mm 9/16 5/8 15mm 11/16 17mm	3 76.2	2 1/8 54.0	.375 9.50	7/16 11.1	45/64 17.9	27/64 11.0	1.24 31.6	1.1260 28.600	0.256 6.50	1.13 28.60	3/8	FH201 -8G FH201 -12mmG FH202 -9G FH202 -10G FH202 -15mmG FH203 -11G FH203 -17mmG	FJ-203-H
FHF204 -12G FHF204 -20mmG	3/4 20mm	3 3/8 85.7	2 1/2 63.5	.592 15.00	7/16 11.1	1 25.4	27/64 11.0	1.52 38.5	1.2205 31.000	0.295 7.50	1.26 32.00	3/8	FH204 -12G FH204 -20mmG	F-204-H
FHF205 -13G FHF205 -14G FHF205 -15G FHF205 -16G FHF205 -25mmG	13/16 7/8 15/16 1 25mm	3 3/4 95.3	2 3/4 69.9	.631 16.00	1/2 12.7	1 1/16 26.9	15/32 12.0	1.56 39.5	1.2205 31.000	0.295 7.50	1.50 38.10	3/8	FH205 -13G FH205 -14G FH205 -15G FH205 -16G FH205 -25mmG	F-205-H
FHF206 -17G FHF206 -18G FHF206 -19G FHF206 -20G FHF206 -30mmG	1 1/16 1 1/8 1 3/16 1 1/4(s) 30mm	4 1/4 108.0	3 1/4 82.6	.720 18.30	9/16 14.3	1 5/64 27.3	15/32 12.0	1.77 45.0	1.4055 35.700	0.354 9.00	1.75 44.50	3/8	FH206 -17G FH206 -18G FH206 -19G FH206 -20G FH206 -30mmG	F-206-H
FHF207 -20G FHF207 -21G FHF207 -22G FHF207 -23G FHF207 -35mmG	1 1/4 1 5/16 1 3/8 1 7/16 35mm	4 19/32 116.7	3 5/8 92.1	.750 19.10	19/32 15.1	1 3/16 30.1	17/32 13.5	1.91 48.5	1.5315 38.900	0.374 9.50	2.19 55.60	7/16	FH207 -20G FH207 -21G FH207 -22G FH207 -23G FH207 -35mmG	F-207-H
FHF208 -24G FHF208 -25G FHF208 -40mmG	1 1/2 1 9/16 40mm	5 1/8 130.2	4 101.6	.834 21.20	19/32 15.1	1 13/32 35.7	37/64 15.0	2.12 53.9	1.7205 43.700	0.433 11.00	2.38 60.40	1/2	FH208 -24G FH208 -25G FH208 -40mmG	F-208-H
FHF209 -26G FHF209 -27G FHF209 -28G FHF209 -45mmG	1 5/8 1 11/16 1 3/4 45mm	5 3/8 136.5	4 1/8 105.0	.874 22.20	5/8 15.9	1 1/2 38.1	37/64 15.0	2.16 54.9	1.7205 43.700	0.433 11.00	2.50 63.50	1/2	FH209 -26G FH209 -27G FH209 -28G FH209 -45mmG	F-209-H
FHF210 -29G FHF210 -30G FHF210 -31G FHF210 -32G FHF210 -50mmG	1 13/16 1 7/8 1 15/16 2(s) 50mm	5 5/8 142.9	4 3/8 111.1	.874 22.20	5/8 15.9	1 9/16 39.7	37/64 15.0	2.16 54.9	1.7205 43.700	0.433 11.00	2.75 69.90	1/2	FH210 -29G FH210 -30G FH210 -31G FH210 -32G FH210 -50mmG	F-210-H
FHF211 -32G FHF211 -33G FHF211 -34G FHF211 -35G FHF211 -55mmG	2 2 1/16 2 1/8 2 3/16 55mm	6 3/8 161.9	5 1/8 130.2	.998 25.30	23/32 18.3	1 11/16 42.9	45/64 18.0	2.41 61.2	1.9055 48.400	0.492 12.50	3.00 76.20	5/8	FH211 -32G FH211 -33G FH211 -34G FH211 -35G FH211 -55mmG	F-211-H
FHF212 -36G FHF212 -37G FHF212 -38G FHF212 -39G FHF212 -60mmG	2 1/4 2 5/16 2 3/8 2 7/16 60mm	6 7/8 174.6	5 5/8 142.9	1.156 29.40	23/32 18.3	1 7/8 47.6	45/64 18.0	2.57 65.2	1.9409 49.300	0.531 13.50	3.31 84.20	5/8	FH212 -36G FH212 -37G FH212 -38G FH212 -39G FH212 -60mmG	F-212-H

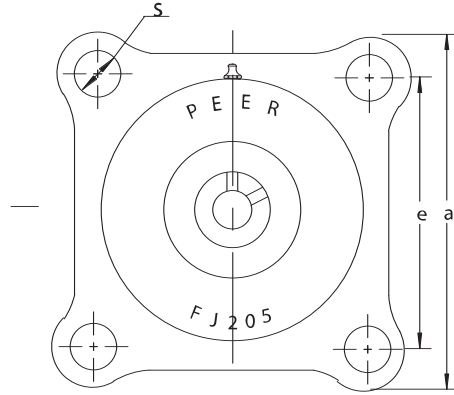
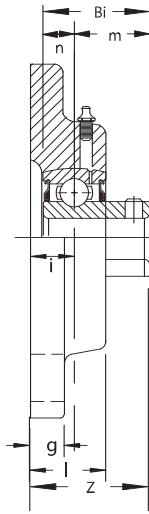
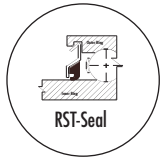
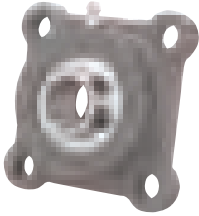
Bolt hole diameter ('s' dimension) can be drilled to your specifications.

Standard Mounted Units



Flange Units – Narrow 4 Bolt

FHSFJ200-G Series Set Screw Locking



- Standard duty, high-grade cast iron
- Narrow housing follows USA/Domestic dimensions.
- Narrow inner ring bearing
- Relubricatable unit (shown)
- Non-relubricatable unit available (omit "G" from unit part number)
- Standard seal: RST tight riding, full cover, metal shroud seals

Optional seals: See page 85

Dimensions <small>in mm</small>														
Unit No.	Shaft Diam.	a	e	i	g	l	s	Z	Bi	n	m	Bolt Size In.	Bearing No.	Housing No.
FHSFJ201 -8G FHSFJ201 -12mmG FHSFJ202 -9G FHSFJ202 -10G FHSFJ202 -15mmG FHSFJ203 -11G FHSFJ203 -17mmG	1/2 12mm 9/16 5/8 15mm 11/16 17mm	3 76.2	2 1/8 54.0	3/8 9.50	7/16 11.1	45/64 17.9	27/64 11.0	1.00 25.5	0.886 22.50	0.256 6.50	0.63 16.00	3/8	FHS201 -8G FHS201 -12mmG FHS202 -9G FHS202 -10G FHS202 -15mmG FHS203 -11G FHS203 -17mmG	FJ-203-H
FHSFJ204 -12G FHSFJ204 -13G FHSFJ204 -20mmG	3/4 13/16 20mm	3 3/8 85.7	2 1/2 63.5	33/64 13.10	3/8 9.5	7/8 22.2	27/64 11.0	1.20 30.6	0.984 25.00	0.295 7.50	0.69 17.50	3/8	FHS204 -12G FHS204 -13G FHS204 -20mmG	FJ-204-H
FHSFJ205 -12G FHSFJ205 -13G FHSFJ205 -14G FHSFJ205 -15G FHSFJ205 -16G FHSFJ205 -25mmG	3/4 13/16 7/8 15/16 1 25mm	3 3/4 95.3	2 3/4 69.9	13/32 10.30	17/32 13.5	25/32 19.8	15/32 12.0	1.17 29.8	1.063 27.00	0.295 7.50	0.77 19.50	3/8	FHS205 -12G FHS205 -13G FHS205 -14G FHS205 -15G FHS205 -16G FHS205 -25mmG	FJ-205-H
FHSFJ206 -17G FHSFJ206 -18G FHSFJ206 -19G FHSFJ206 -20G FHSFJ206 -30mmG	1 1/16 1 1/8 1 3/16 1 1/4(s) 30mm	4 1/4 107.9	3 1/4 82.6	7/16 11.10	9/16 14.3	27/32 21.4	15/32 12.0	1.26 32.1	1.181 30.00	0.354 9.00	0.83 21.00	3/8	FHS206 -17G FHS206 -18G FHS206 -19G FHS206 -20G FHS206 -30mmG	FJ-206-H
FHSFJ207 -20G FHSFJ207 -21G FHSFJ207 -22G FHSFJ207 -23G FHSFJ207 -35mmG	1 1/4 1 5/16 1 3/8 1 7/16 35mm	4 5/8 117.5	3 5/8 92.1	31/64 12.30	19/32 15.1	31/32 24.6	17/32 13.5	1.37 34.8	1.260 32.00	0.374 9.50	0.89 22.50	7/16	FHS207 -20G FHS207 -21G FHS207 -22G FHS207 -23G FHS207 -35mmG	FJ-207-H
FHSFJ208 -24G FHSFJ208 -25G FHSFJ208 -40mmG	1 1/2 1 9/16 40mm	5 1/8 130.2	4 101.6	33/64 13.10	5/8 15.9	1 1/32 26.2	37/64 15.0	1.58 40.1	1.496 38.00	0.433 11.00	1.06 27.00	1/2	FHS208 -24G FHS208 -25G FHS208 -40mmG	FJ-208-H

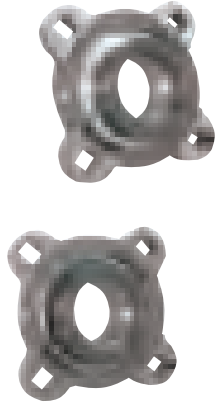
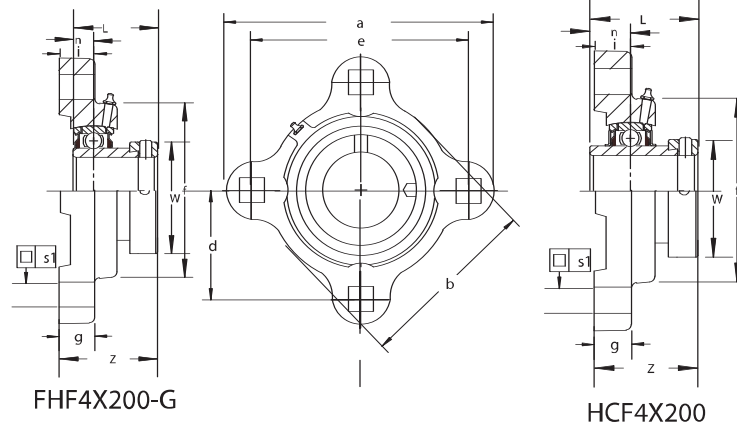
1. Units available with "FH" locking collar bearing: Example FHFJ205-16G
2. Bolt hole diameter ('s' dimension) can be drilled to your specifications

Flange Units - Ductile 4 Bolt

FHF4X200-G / HCF4X200 Series Eccentric Locking Collar



- High strength ductile iron
- Solid foot housing design
- Wide inner ring bearing "HC"(requires through panel mounting surface)
- Relubricatable unit (shown)
- Non-relubricatable unit available with FH bearings only (omit "G" from unit part number)
- Standard seal on FHF4X200-G Series: RST tight riding, full cover, metal shroud seals
- Standard seal on HCF4X200 Series: R-Seal



Optional seals: See page 85

FHF4X200-G

Unit No.	Shaft Diam.	Dimensions <small>in mm</small>											Bolt Size In.	Bearing No.	Housing No.	
		a	e	i	b	d	g	s	f	Z	L	n				W
FHF4X208 -24G	1 1/2	5 13/16	4 11/16	.626	3 7/8	2 11/32	5/8	17/32	3.531	1.91	1.7205	0.433	2.38	1/2	FH208 -24G FH208 -25G FH208 -40mmG	F4X-208-HT
FHF4X208 -25G	1 9/16	147.6	119.1	15.90	98.4	59.55	15.9	13.5	89.69	48.6	43.700	11.00	60.40			
FHF4X208 -40mmG	40mm															
FHF4X209 -26G	1 5/8	5 7/8	4 3/4	.626	4 7/32	2 3/8	5/8	17/32	3.781	1.91	1.7205	0.433	2.50	1/2	FH209 -26G FH209 -27G FH209 -28G FH209 -45mmG	F4X-209-HT
FHF4X209 -27G	1 11/16	149.2	120.7	15.90	107.2	60.35	15.9	13.5	96.04	48.6	43.700	11.00	63.50			
FHF4X209 -28G	1 3/4															
FHF4X209 -45mmG	45mm															
FHF4X210 -29G	1 13/16	6 1/8	5	.626	4 15/32	2 1/2	5/8	17/32	3.969	1.91	1.7205	0.433	2.75	1/2	FH210 -29G FH210 -30G FH210 -31G FH210 -32G FH210 -50mmG	F4X-210-HT
FHF4X210 -30G	1 7/8	155.6	127.0	15.90	113.5	63.5	15.9	13.5	100.81	48.6	43.700	11.00	69.90			
FHF4X210 -31G	1 15/16															
FHF4X210 -32G	2(s)															
FHF4X210 -50mmG	50mm															

Standard Mounted Units

HCF4X200

Unit No.	Shaft Diam.	Dimensions <small>in mm</small>											Bolt Size In.	Bearing No.	Housing No.	
		a	e	i	b	d	g	s	f	Z	L	n				W
HCF4X208 -24	1 1/2	5 13/16	4 11/16	.626	3 7/8	2 11/32	5/8	17/32	3.531	2.00	2.2165	0.843	2.37	1/2	HC208 -24 HC208 -25 HC208 -40mm	F4X-208-HT
HCF4X208 -25	1 9/16	147.6	119.1	15.90	98.4	59.55	15.9	13.5	89.69	50.8	56.300	21.40	60.30			
HCF4X208 -40mm	40mm															
HCF4X209 -26	1 5/8	5 7/8	4 3/4	.626	4 7/32	2 3/8	5/8	17/32	3.781	2.00	2.2165	0.843	2.50	1/2	HC209 -26 HC209 -27 HC209 -28 HC209 -45mm	F4X-209-HT
HCF4X209 -27	1 11/16	149.2	120.7	15.90	107.2	60.35	15.9	13.5	96.04	50.8	56.300	21.40	63.50			
HCF4X209 -28	1 3/4															
HCF4X209 -45mm	45mm															
HCF4X210 -29	1 13/16	6 1/8	5	.626	4 15/32	2 1/2	5/8	17/32	3.969	2.13	2.4685	0.969	2.75	1/2	HC210 -29 HC210 -30 HC210 -31 HC210 -32 HC210 -50mm	F4X-210-HT
HCF4X210 -30	1 7/8	155.6	127.0	15.90	113.5	63.5	15.9	13.5	100.81	54.0	62.700	24.60	69.90			
HCF4X210 -31	1 15/16															
HCF4X210 -32	2(s)															
HCF4X210 -50mm	50mm															

1. Units available with "FHS" or "UC" style set screw locking bearing
 2. Units available with "GR" Grip-It 360 degree locking style bearing
 3. Units available for reverse mounting applications with any insert bearing
- Example: HCF4X210-31-REV



Flange Units – Cartridge 4 Bolt UCFC200 Series Set Screw Locking

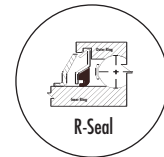
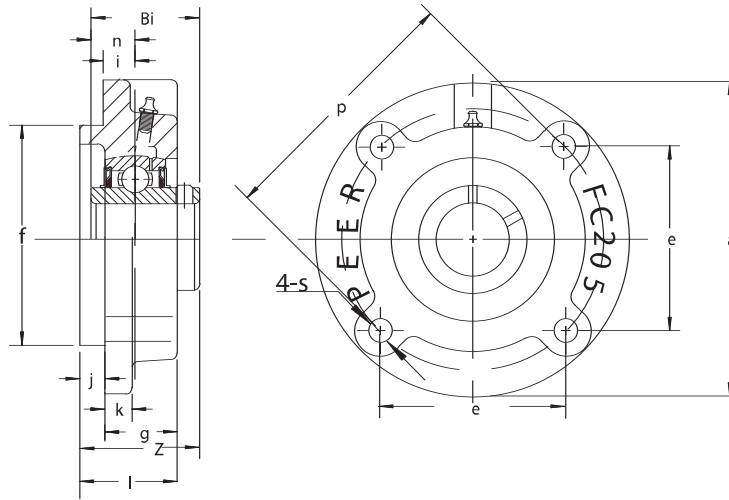
- Standard duty, high-grade cast iron
- Piloted flange offers extra support for heavier loads
- Solid base housing design
- Wide inner ring bearing
- Relubricatable unit with anti-rotation pin
- Standard seal: R-Seal



Triple lip seal and other options: See page 85

Dimensions in mm

Unit No.	Shaft Diam.	a	p	e	i	l	s	j	K	g	f	Z	Bi	n	Bolt Size In.	Bearing No.	Housing No.
UCFC204 -12	3/4	3 15/16	3 5/64	2 11/64	25/64	31/32	15/32	13/64	9/32	11/16	2.441	1.3150	1.2205	0.500	3/8	UC204 -12	FC-204-H
UCFC204 -13	13/16	100.0	78.2	55.2	9.9	24.6	11.9	5.2	7.1	19.4	62.00	33.400	31.000	12.70		UC204 -13	
UCFC204 -20mm	20mm													UC204 -20mm			
UCFC205 -13	13/16	4 17/32	3 35/64	2 1/2	25/64	1 1/32	15/32	15/64	9/32	13/16	2.756	1.3976	1.3386	0.563	3/8	UC205 -13	FC-205-H
UCFC205 -14	7/8															UC205 -14	
UCFC205 -15	15/16															UC205 -15	
UCFC205 -16	1															UC205 -16	
UCFC205 -25mm	25mm															UC205 -25mm	
UCFC206 -17	1 1/16	4 9/32	3 15/16	2 25/32	25/64	1 5/64	15/32	5/16	5/16	49/64	3.150	1.5748	1.5000	0.626	3/8	UC206 -17	FC-206-H
UCFC206 -18	1 1/8															UC206 -18	
UCFC206 -19	1 3/16															UC206 -19	
UCFC206 -20	1 1/4(s)															UC206 -20	
UCFC206 -30mm	30mm															UC206 -30mm	
UCFC207 -20	1 1/4	5 5/16	4 21/64	3 1/16	7/16	1 3/16	35/64	5/16	11/32	7/8	3.543	1.7480	1.6890	0.689	7/16	UC207 -20	FC-207-H
UCFC207 -21	1 5/16															UC207 -21	
UCFC207 -22	1 3/8															UC207 -22	
UCFC207 -23	1 7/16															UC207 -23	
UCFC207 -35mm	35mm															UC207 -35mm	
UCFC208 -24	1 1/2	5 23/32	4 23/32	3 11/32	7/16	1 13/32	35/64	25/64	11/32	1 1/64	3.937	2.0157	1.9370	0.748	7/16	UC208 -24	FC-208-H
UCFC208 -25	1 9/16															UC208 -25	
UCFC208 -40mm	40mm															UC208 -40mm	
UCFC209 -26	1 5/8	6 5/16	5 13/64	3 43/64	25/64	1 31/64	5/8	15/32	9/16	1 1/64	4.139	2.0472	1.9370	0.748	1/2	UC209 -26	FC-209-H
UCFC209 -27	1 11/16															UC209 -27	
UCFC209 -28	1 3/4															UC209 -28	
UCFC209 -45mm	45mm															UC209 -45mm	
UCFC210 -29	1 13/16	6 1/2	5 7/16	3 27/32	25/64	1 33/64	5/8	15/32	9/16	1 3/64	4.331	2.1417	2.0315	0.748	1/2	UC210 -29	FC-210-H
UCFC210 -30	1 7/8															UC210 -30	
UCFC210 -31	1 15/16															UC210 -31	
UCFC210 -32	2(s)															UC210 -32	
UCFC210 -50mm	50mm															UC210 -50mm	



Unit No.	Shaft Diam.	Dimensions ⁱⁿ / _{mm}													Bolt Size In.	Bearing No.	Housing No.		
		a	p	e	i	l	s	j	K	g	f	Z	Bi	n					
UCFC211 -32	2																		
UCFC211 -33	2 1/8																		
UCFC211 -34	2 3/16	7 9/32	5 29/32	4 11/64	33/64	1 11/16	3/4	15/32	19/32	1 7/32	4.922	2.2992	2.1890	0.874	5/8	UC211 -32	FC-211-H		
UCFC211 -35	2 3/16	184.9	150.0	105.9	13.1	43.0	19.1	11.9	15.1	31.1	125.00	58.400	55.600	22.20		UC211 -33			
UCFC211 -55mm	55mm															UC211 -34			
UCFC212 -36	2 1/4															UC211 -35			
UCFC212 -37	2 5/16															UC211 -55mm			
UCFC212 -38	2 3/8	7 11/16	6 19/64	4 29/64	43/64	1 7/8	3/4	15/32	19/32	1 13/32	5.315	2.7047	2.5630	1.000	5/8	UC212 -36	FC-212-H		
UCFC212 -39	2 7/16	195.3	159.9	113.1	17.1	47.6	19.1	11.9	15.1	35.7	135.00	68.700	65.100	25.40		UC212 -37			
UCFC212 -60mm	60mm															UC212 -38			
UCFC213 -40	2 1/2															UC212 -39			
UCFC213 -41	2 9/16	8 1/16	6 11/16	4 47/64	5/8	1 31/32	3/4	35/64	19/32	1 27/64	5.709	2.7362	2.5630	1.000	5/8	UC212 -60mm			
UCFC213 -65mm	65mm	204.8	169.9	120.3	15.9	50.0	19.1	13.9	15.1	36.1	145.00	69.500	65.100	25.40		UC213 -40	FC-213-H		
UCFC214 -42	2 5/8															UC213 -41			
UCFC214 -43	2 11/16															UC213 -65mm			
UCFC214 -44	2 3/4	8 15/32	6 31/32	4 59/64	43/64	2 1/8	3/4	35/64	23/32	1 37/64	5.906	2.9685	2.9370	1.189	5/8	UC214 -42	FC-214-H		
UCFC214 -70mm	70mm	215.1	177.0	125.0	17.1	53.9	19.1	13.9	18.3	40.0	150.00	75.400	74.600	30.20		UC214 -43			
UCFC215 -45	2 13/16															UC214 -44			
UCFC215 -46	2 7/8															UC214 -70mm			
UCFC215 -47	2 15/16	8 55/64	7 1/4	5 1/8	45/64	2 13/64	3/4	5/8	45/64	1 37/64	6.297	3.0827	3.0630	1.311	5/8	UC215 -45	FC-215-H		
UCFC215 -48	3	225.0	184.2	130.6	17.9	55.9	19.1	15.9	17.9	40.0	160.00	78.300	77.800	33.30		UC215 -46			
UCFC215 -75mm	75mm															UC215 -47			
UCFC216 -50	3 1/8	9 7/16	7 7/8	5 9/16	45/64	2 9/32	29/32	5/8	23/32	1 21/32	6.693	3.2717	3.2520	1.311	3/4	UC215 -48	FC-216-H		
UCFC216 -80mm	80mm	239.7	200.0	141.3	17.9	57.9	23.0	15.9	18.3	42.0	170.00	83.100	82.600	33.30		UC215 -75mm			
UCFC217 -52	3 1/4															UC216 -50			
UCFC217 -55	3 7/16	9 27/32	8 3/16	5 51/64	45/64	2 15/32	29/32	45/64	23/32	1 49/64	7.087	3.4409	3.3740	1.343	3/4	UC216 -80mm	FC-217-H		
UCFC217 -85mm	85mm	250.0	207.9	147.2	17.9	62.7	23.0	17.9	18.3	44.8	180.00	87.400	85.700	34.10		UC217 -52			
UCFC218 -56	3 1/2															UC217 -55			
UCFC218 -90mm	90mm	10 7/16	8 21/32	6 1/8	55/64	2 11/16	29/32	45/64	25/32	1 63/64	7.480	3.7795	3.7795	1.563	3/4	UC217 -85mm	FC-218-H		
		265.1	219.9	155.6	21.8	68.3	23.0	17.9	19.8	50.4	190.00	96.000	96.000	39.70		UC218 -56			
																UC218 -90mm			

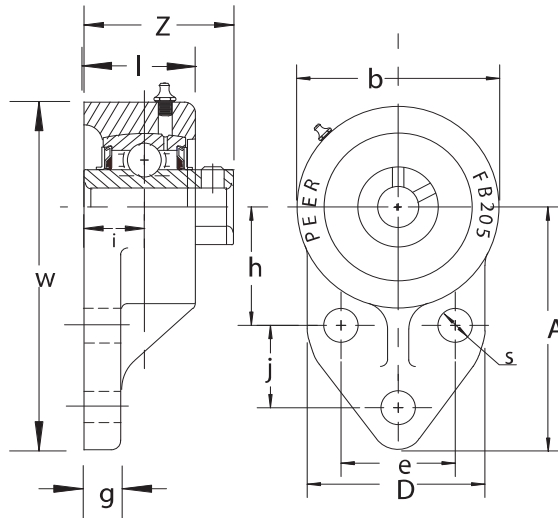
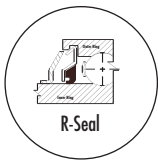
1. Bolt hole diameter ('s' dimension) can be drilled to your specifications
2. Medium duty available using UCX00 insert bearing: Example: UCFCX05-16
3. FC series can also be combined with the following inserts: HC, FH, FHS and GR series bearings

Standard Mounted Units



Flange Units – Flange Bracket 3 Bolt

UCFB200 Series Set Screw Locking



- Standard duty, high-grade cast iron
- Solid base housing design
- Wide inner ring bearing
- Relubricatable unit with anti-rotation pin
- Standard seal: R-Seal

Triple lip seal and other options:
See page 85

Dimensions <small>in mm</small>																
Unit No.	Shaft Diam.	w	A	b	D	i	l	s	g	h	j	e	z	Bolt Size In.	Bearing No.	Housing No.
UCFB201 -8	1/2															
UCFB201 -12mm	12mm															
UCFB202 -9	9/16	4 1/4	3	2 1/2	2 3/8	5/8	1	25/64	5/16	1 11/16	7/8	1 1/2	1.35	5/16	UC201 -8	FB-204-HA
UCFB202 -10	5/8	108.0	76.2	63.5	60.3	15.9	25.4	9.9	8.0	42.9	22.2	38.1	34.2		UC201 -12mm	
UCFB202 -15mm	15mm														UC202 -9	
UCFB203 -11	11/16														UC202 -10	
UCFB203 -17mm	17mm														UC202 -15mm	
UCFB204 -12	3/4	4 1/4	3	2 1/2	2 3/8	5/8	1	25/64	5/16	1 11/16	7/8	1 1/2	1.35	5/16	UC204 -12	FB-204-HA
UCFB204 -13	13/16	108.0	76.2	63.5	60.3	15.9	25.4	9.9	8.0	42.9	22.2	38.1	34.2		UC204 -13	
UCFB204 -20mm	20mm														UC204 -20mm	
UCFB205 -13	13/16	4 3/4	3 3/8	2 3/4	2 1/2	21/32	1 5/64	25/64	3/8	1 13/16	1 1/8	1 5/8	1.43	5/16	UC205 -13	FB-205-HA
UCFB205 -14	7/8	120.7	85.7	69.9	63.5	16.7	27.2	9.9	9.5	46.0	28.6	41.3	36.4		UC205 -14	
UCFB205 -15	15/16														UC205 -15	
UCFB205 -16	1														UC205 -16	
UCFB205 -25mm	25mm														UC205 -25mm	
UCFB206 -17	1 1/16	5 3/8	3 3/4	3 1/4	2 3/4	47/64	1 7/64	25/64	3/8	2 1/16	1 1/4	1 7/8	1.61	5/16	UC206 -17	FB-206-HA
UCFB206 -18	1 1/8	136.5	95.3	82.6	69.9	18.7	28.2	9.9	9.5	52.4	31.8	47.6	40.9		UC206 -18	
UCFB206 -19	1 3/16														UC206 -19	
UCFB206 -20	1 1/4(s)														UC206 -20	
UCFB206 -30mm	30mm														UC206 -30mm	
UCFB207 -20	1 1/4	6 1/8	4 1/4	3 3/4	3 1/4	53/64	1 1/4	33/64	1/2	2 3/8	1 1/4	2	1.83	7/16	UC207 -20	FB-207-HA
UCFB207 -21	1 5/16	155.6	108.0	95.3	82.6	21.0	32.0	13.1	12.7	60.3	31.8	50.8	46.4		UC207 -21	
UCFB207 -22	1 3/8														UC207 -22	
UCFB207 -23	1 7/16														UC207 -23	
UCFB207 -35mm	35mm														UC207 -35mm	
UCFB208 -24	1 1/2	6 15/32	4 1/2	3 15/16	3 1/16	53/64	1 13/32	15/32	5/8	2 3/8	1 5/8	1 31/32	2.02	3/8	UC208 -24	FB-208-HA
UCFB208 -25	1 9/16	164.3	114.3	100.0	77.8	21.0	35.7	11.9	15.9	60.3	41.3	50.0	51.2		UC208 -25	
UCFB208 -40mm	40mm														UC208 -40mm	
UCFB209 -26	1 5/8	6 27/32	4 3/4	4 3/16	3 5/32	53/64	1 1/2	15/32	23/32	2 9/16	1 11/16	2 1/8	2.02	3/8	UC209 -26	FB-209-HA
UCFB209 -27	1 11/16	173.9	120.7	106.4	80.2	21.0	38.0	11.9	18.3	65.1	42.9	54.0	51.2		UC209 -27	
UCFB209 -28	1 3/4														UC209 -28	
UCFB209 -45mm	45mm														UC209 -45mm	
UCFB210 -29	1 13/16	7 1/2	5 3/16	4 5/8	4	53/64	1 1/2	33/64	1/2	2 15/16	1 5/8	2 3/4	2.11	7/16	UC210 -29	FB-210-HA
UCFB210 -30	1 7/8	190.5	131.8	117.5	101.6	21.0	38.0	13.1	12.7	74.6	41.3	69.9	53.6		UC210 -30	
UCFB210 -31	1 15/16														UC210 -31	
UCFB210 -32	2(s)														UC210 -32	
UCFB210 -50mm	50mm														UC210 -50mm	

1. Bolt hole diameter ('s' dimension) can be drilled to your specifications
2. Available with optional bolt hole pattern (UCFBF204-12)
3. FB series can also be combined with the following inserts: HC, FH, FHS and GR series bearings

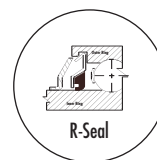
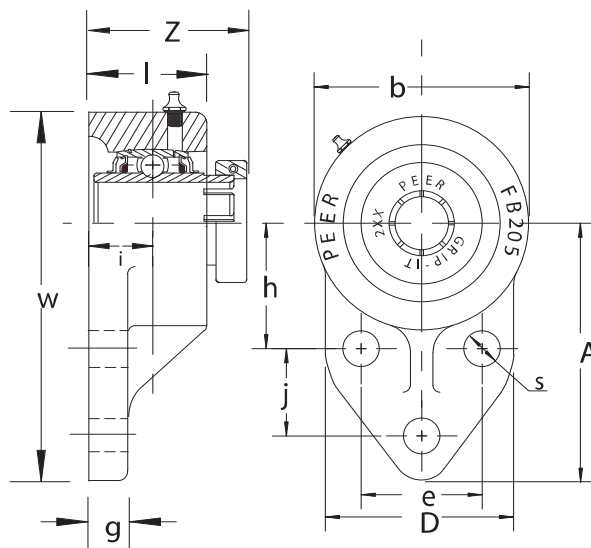
Flange Units - Flange Bracket 3 Bolt GRFB200 Series GRIP-IT 360 Degree Locking



- Standard duty, high-grade cast iron
- Solid base housing design
- Wide inner ring bearing
- Relubricatable unit with anti-rotation pin
- Black Oxide plated inner and outer rings
- Standard seal: R-Seal

Triple lip seal and other options:

See page 85



Unit No.	Shaft Diam.	Dimensions <small>in mm</small>												Bolt Size In.	Bearing No.	Housing No.													
		w	A	b	D	i	l	s	g	h	j	e	Z																
GRFB204 -12	3/4																												
GRFB204 -13	13/16	4 1/4	3	2 1/2	2 3/8	5/8	1	25/64	5/16	1 11/16	7/8	1 1/2	1.50	5/16	GR204 -12														
GRFB204 -20mm	20mm	108.0	76.2	63.5	60.3	15.9	25.4	9.9	8.0	42.9	22.2	38.1	38.1		GR204 -13														
GRFB205 -13	13/16																												
GRFB205 -14	7/8																												
GRFB205 -15	15/16	4 3/4	3 3/8	2 3/4	2 1/2	21/32	1 5/64	25/64	3/8	1 13/16	1 1/8	1 5/8	1.61	5/16	GR205 -13														
GRFB205 -16	1	120.7	85.7	69.9	63.5	16.7	27.2	9.9	9.5	46.0	28.6	41.3	40.8		GR205 -14														
GRFB205 -25mm	25mm														GR205 -15														
GRFB206 -17	1 1/16																												
GRFB206 -18	1 1/8																												
GRFB206 -19	1 3/16	5 3/8	3 3/4	3 1/4	2 3/4	47/64	1 7/64	25/64	3/8	2 1/16	1 1/4	1 7/8	1.76	5/16	GR206 -17														
GRFB206 -20	1 1/4(s)	136.5	95.3	82.6	69.9	18.7	28.2	9.9	9.5	52.4	31.8	47.6	44.7		GR206 -18														
GRFB206 -30mm	30mm														GR206 -19														
GRFB207 -20	1 1/4																												
GRFB207 -21	1 5/16	6 1/8	4 1/4	3 3/4	3 1/4	53/64	1 1/4	33/64	1/2	2 3/8	1 1/4	2	2.01	7/16	GR207 -20														
GRFB207 -22	1 3/8	155.6	108.0	95.3	82.6	21.0	32.0	13.1	12.7	60.3	31.8	50.8	51.0		GR207 -21														
GRFB207 -23	1 7/16														GR207 -22														
GRFB207 -35mm	35mm														GR207 -23														
GRFB208 -24	1 1/2																												
GRFB208 -25	1 9/16	6 15/32	4 1/2	3 15/16	3 1/16	53/64	1 13/32	15/32	5/8	2 3/8	1 5/8	1 31/32	2.19	3/8	GR208 -24														
GRFB208 -40mm	40mm	164.3	114.3	100.0	77.8	21.0	35.7	11.9	15.9	60.3	41.3	50.0	55.7		GR208 -25														
GRFB209 -26	1 5/8																												
GRFB209 -27	1 11/16																												
GRFB209 -28	1 3/4	6 27/32	4 3/4	4 3/16	3 5/32	53/64	1 1/2	15/32	23/32	2 9/16	1 11/16	2 1/8	2.20	3/8	GR209 -26														
GRFB209 -45mm	45mm	173.9	120.7	106.4	80.2	21.0	38.0	11.9	18.3	65.1	42.9	54.0	55.9		GR209 -27														
GRFB210 -29	1 13/16																												
GRFB210 -30	1 7/8																												
GRFB210 -31	1 15/16	7 1/2	5 3/16	4 5/8	4	53/64	1 1/2	33/64	1/2	2 15/16	1 5/8	2 3/4	2.35	7/16	GR210 -29														
GRFB210 -32	2(s)	190.5	131.8	117.5	101.6	21.0	38.0	13.1	12.7	74.6	41.3	69.9	59.6		GR210 -30														
GRFB210 -50mm	50mm														GR210 -31														
															GR210 -32														
															GR210 -50mm														

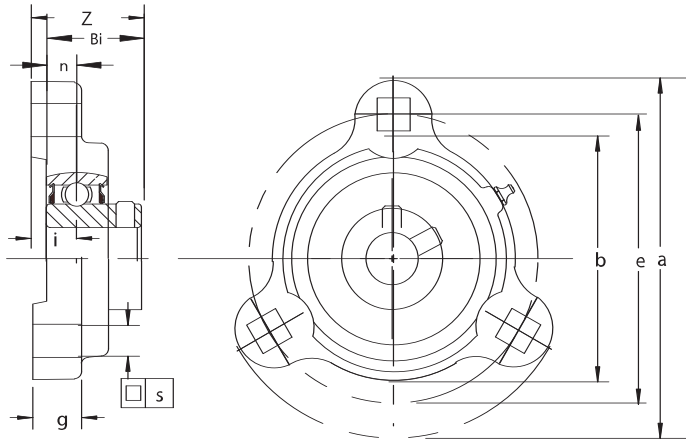
1. Bolt hole diameter ('s' dimension) can be drilled to your specifications
2. Available with optional bolt hole pattern (GRFBF204-12)
3. FB series can also be combined with the following inserts: HC, FH, FHS and UC series bearings

Standard Mounted Units



Flange Units – Ductile 3 Bolt

FHSF3X200-G Series Set Screw Locking



- Standard duty, high strength ductile iron
- Solid foot housing design
- Narrow inner ring bearing
- Relubricatable unit (Shown)
- Non-relubricatable unit available (omit "G" from unit part number)
- Standard seal: RST tight riding, full cover, metal shroud seals

Optional seals: See page 85

Dimensions ⁱⁿ_{mm}

Unit No.	Shaft Diam.	a	e	i	b	d	g	s	Z	Bi	n	Bolt Size In.	Bearing No.	Housing No.
FHSF3X201 -8G	1/2												FHS201 -8G	F3X-203-H
FHSF3X201 -12mmG	12mm												FHS201 -12mmG	
FHSF3X202 -9G	9/16												FHS202 -9G	
FHSF3X202 -10G	5/8	3 3/16	2 1/2	.318	2 3/32	1 19/32	13/32	9/32	0.99	0.8858	0.256	1/4	FHS202 -10G	
FHSF3X202 -15mmG	15mm	80.9	63.5	9.10	53.2	40.5	10.3	7.1	25.1	22.500	6.50		FHS202 -15mmG	
FHSF3X203 -11G	11/16												FHS203 -11G	F3X-204-H
FHSF3X203 -17mmG	17mm												FHS203 -17mmG	
FHSF3X204 -12G	3/4												FHS204 -12G	F3X-205-H
FHSF3X204 -13G	13/16	3 9/16	2 13/16	.437	2 13/64	1 25/32	7/16	11/32	1.13	0.9843	0.295	5/16	FHS204 -13G	
FHSF3X204 -20mmG	20mm	90.5	71.4	11.10	55.9	45.2	11.1	8.7	28.6	25.000	7.50		FHS204 -20mmG	
FHSF3X205 -12G	3/4												FHS205 -12G	F3X-206-H
FHSF3X205 -13G	13/16												FHS205 -13G	
FHSF3X205 -14G	7/8	3 3/4	3	.437	2 13/16	1 7/8	1/2	11/32	1.20	1.0630	0.295	5/16	FHS205 -14G	
FHSF3X205 -15G	15/16	95.3	76.2	11.10	71.4	47.6	12.7	8.7	30.6	27.000	7.50		FHS205 -15G	
FHSF3X205 -16G	1												FHS205 -16G	
FHSF3X205 -25mmG	25mm												FHS205 -25mmG	
FHSF3X206 -17G	1 1/16												FHS206 -17G	F3X-207-H
FHSF3X206 -18G	1 1/8												FHS206 -18G	
FHSF3X206 -19G	1 3/16	4 9/16	3 9/16	.437	3	2 9/32	19/32	13/32	1.26	1.1811	0.354	3/8	FHS206 -19G	
FHSF3X206 -20G	1 1/4(s)	115.9	90.5	11.10	76.2	57.9	15.1	10.3	32.1	30.000	9.00		FHS206 -20G	
FHSF3X206 -30mmG	30mm												FHS206 -30mmG	
FHSF3X207 -20G	1 1/4												FHS207 -20G	F3X-207-H
FHSF3X207 -21G	1 5/16												FHS207 -21G	
FHSF3X207 -22G	1 3/8	4 13/16	3 15/16	.500	3 15/32	2 13/32	19/32	13/32	1.39	1.2598	0.374	3/8	FHS207 -22G	
FHSF3X207 -23G	1 7/16	122.2	100.0	12.70	88.1	61.1	15.1	10.3	35.2	32.000	9.50		FHS207 -23G	
FHSF3X207 -35mmG	35mm												FHS207 -35mmG	

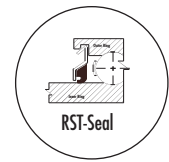
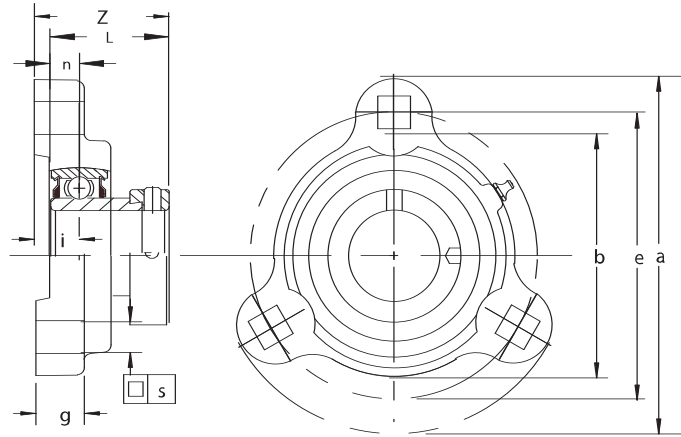
For reverse mounting, add suffix "REV" after unit number:
 Example: FHSF3X205-16G-REV

Flange Units - Ductile 3 Bolt FHF3X200-G Series Eccentric Locking Collar



- Standard duty, high strength ductile iron
- Solid foot housing design
- Narrow inner ring bearing
- Relubricatable unit (shown)
- Non-relubricatable unit available (omit "G" from unit part number)
- Standard seal: RST tight riding, full cover, metal shroud seals

Optional seals: See page 85



Dimensions ⁱⁿ / _{mm}														
Unit No.	Shaft Diam.	a	e	i	b	d	g	s	Z	L	n	Bolt Size In.	Bearing No.	Housing No.
FHF3X201 -8G	1/2												FH201 -8G	
FHF3X201 -12mmG	12mm												FH201 -12mmG	
FHF3X202 -9G	9/16												FH202 -9G	
FHF3X202 -10G	5/8	3 3/16	2 1/2	.318	2 3/32	1 19/32	13/32	9/32	1.23	1.1260	0.256	1/4	FH202 -10G	F3X-203-H
FHF3X202 -15mmG	15mm	80.9	63.5	9.10	53.2	40.5	10.3	7.1	31.2	28.600	6.50		FH202 -15mmG	
FHF3X203 -11G	11/16												FH203 -11G	
FHF3X203 -17mmG	17mm												FH203 -17mmG	
FHF3X204 -12G	3/4	3 9/16	2 13/16	.437	2 13/64	1 25/32	7/16	11/32	1.36	1.2205	0.295	5/16	FH204 -12G	F3X-204-H
FHF3X204 -20mmG	20mm	90.5	71.4	11.10	55.9	45.2	11.1	8.7	34.6	31.000	7.50		FH204 -20mmG	
FHF3X205 -13G	13/16												FH205 -13G	
FHF3X205 -14G	7/8												FH205 -14G	
FHF3X205 -15G	15/16	3 3/4	3	.437	2 13/16	1 7/8	1/2	11/32	1.36	1.2205	0.295	5/16	FH205 -15G	F3X-205-H
FHF3X205 -16G	1	95.3	76.2	11.10	71.4	47.6	12.7	8.7	34.6	31.000	7.50		FH205 -16G	
FHF3X205 -25mmG	25mm												FH205 -25mmG	
FHF3X206 -17G	1 1/16												FH206 -17G	
FHF3X206 -18G	1 1/8												FH206 -18G	
FHF3X206 -19G	1 3/16	4 9/16	3 9/16	.437	3	2 9/32	19/32	13/32	1.49	1.4055	0.354	3/8	FH206 -19G	F3X-206-H
FHF3X206 -20G	1 1/4(s)	115.9	90.5	11.10	76.2	57.9	15.1	10.3	37.8	35.700	9.00		FH206 -20G	
FHF3X206 -30mmG	30mm												FH206 -30mmG	
FHF3X207 -20G	1 1/4												FH207 -20G	
FHF3X207 -21G	1 5/16												FH207 -21G	
FHF3X207 -22G	1 3/8	4 13/16	3 15/16	.500	3 15/32	2 13/32	19/32	13/32	1.66	1.5315	0.374	3/8	FH207 -22G	F3X-207-H
FHF3X207 -23G	1 7/16	122.2	100.0	12.70	88.1	61.1	15.1	10.3	42.1	38.900	9.50		FH207 -23G	
FHF3X207 -35mmG	35mm												FH207 -35mmG	

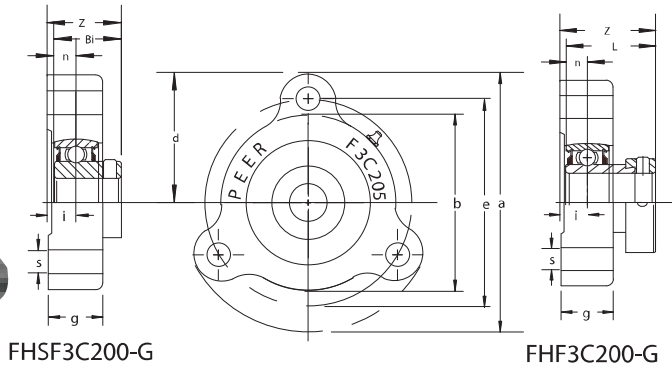
For reverse mounting, add suffix "REV" after unit number:
Example: FHF3X205-16G-REV

Standard Mounted Units



Flange Units – Round Hole 3 Bolt

FHSF3C200-G / FHF3C200-G Series



- Standard duty, high-grade cast iron
- Solid Foot housing design
- Narrow inner ring bearing
- Relubricatable unit (shown)
- Non-relubricatable unit available (omit "G" from unit part number)
- Standard seal: RST tight riding, full cover, metal shroud seals

Optional seals: See page 85

FHSF3C200-G Set Screw Locking

Unit No.	Shaft Diam.	Dimensions ⁱⁿ / _{mm}										Bolt Size In.	Bearing No.	Housing No.
		a	e	i	b	d	g	s	Z	Bi	n			
FHSF3C204 -12G FHSF3C204 -13G FHSF3C204 -20mmG	3/4 13/16 20mm	3 9/16 90.5	2 13/16 71.4	.344 8.73	1 25/32 66.7	1 25/32 45.2	11/16 17.5	11/32 8.7	1.03 26.2	0.9843 25.000	0.295 7.50	5/16	FHS204 -12-GO FHS204 -13-GO FHS204 -20mm-GO	F3C-204-H
FHSF3C205 -12G FHSF3C205 -13G FHSF3C205 -14G FHSF3C205 -15G FHSF3C205 -16G FHSF3C205 -25mmG	3/4 13/16 7/8 15/16 1 25mm	3 3/4 95.3	3 76.2	.373 9.47	2 51/64 71.0	1 7/8 47.6	11/16 17.5	11/32 8.7	1.14 29.0	1.0630 27.000	0.295 7.50	5/16	FHS205 -12-GO FHS205 -13-GO FHS205 -14-GO FHS205 -15-GO FHS205 -16-GO FHS205 -25mm-GO	F3C-205-H
FHSF3C206 -17G FHSF3C206 -18G FHSF3C206 -19G FHSF3C206 -20G FHSF3C206 -30mmG	1 1/16 1 1/8 1 3/16 1 1/4(s) 30mm	4 7/16 112.7	3 9/16 90.5	.462 11.73	3 5/16 84.1	2 7/32 56.4	13/16 20.6	13/32 10.3	1.29 32.7	1.1811 30.000	0.354 9.00	3/8	FHS206 -17-GO FHS206 -18-GO FHS206 -19-GO FHS206 -20-GO FHS206 -30mm-GO	F3C-206-H
FHSF3C207 -20G FHSF3C207 -21G FHSF3C207 -22G FHSF3C207 -23G FHSF3C207 -35mmG	1 1/4 1 5/16 1 3/8 1 7/16 35mm	4 15/16 125.4	3 15/16 100.0	.497 12.62	3 11/16 93.7	2 15/32 62.7	7/8 22.2	13/32 10.3	1.38 35.1	1.2598 32.000	0.374 9.50	3/8	FHS207 -20-GO FHS207 -21-GO FHS207 -22-GO FHS207 -23-GO FHS207 -35mm-GO	F3C-207-H

FHF3C200-G Eccentric Collar Locking

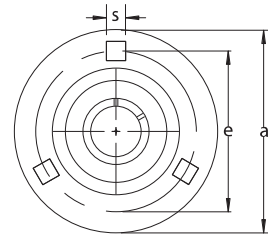
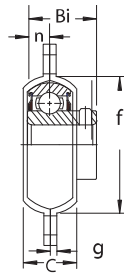
Unit No.	Shaft Diam.	Dimensions ⁱⁿ / _{mm}										Bolt Size In.	Bearing No.	Housing No.
		a	e	i	b	d	g	s	Z	L	n			
FHF3C204 -12G FHF3C204 -20mmG	3/4 20mm	3 9/16 90.5	2 13/16 71.4	.344 8.73	1 25/32 66.7	1 25/32 45.2	11/16 17.5	11/32 8.7	1.27 32.2	1.2205 31.000	0.295 7.50	5/16	FH204 -12-GO FH204 -20mm-GO	F3C-204-H
FHF3C205 -13G FHF3C205 -14G FHF3C205 -15G FHF3C205 -16G FHF3C205 -25mmG	13/16 7/8 15/16 1 25mm	3 3/4 95.3	3 76.2	.373 9.47	2 51/64 71.0	1 7/8 47.6	11/16 17.5	11/32 8.7	1.30 33.0	1.2205 31.000	0.295 7.50	5/16	FH205 -13-GO FH205 -14-GO FH205 -15-GO FH205 -16-GO FH205 -25mm-GO	F3C-205-H
FHF3C206 -17G FHF3C206 -18G FHF3C206 -19G FHF3C206 -20G FHF3C206 -30mmG	1 1/16 1 1/8 1 3/16 1 1/4(s) 30mm	4 7/16 112.7	3 9/16 90.5	.462 11.73	3 5/16 84.1	2 7/32 56.4	13/16 20.6	13/32 10.3	1.51 38.4	1.4055 35.700	0.354 9.00	3/8	FH206 -17-GO FH206 -18-GO FH206 -19-GO FH206 -20-GO FH206 -30mm-GO	F3C-206-H
FHF3C207 -20G FHF3C207 -21G FHF3C207 -22G FHF3C207 -23G FHF3C207 -35mmG	1 1/4 1 5/16 1 3/8 1 7/16 35mm	4 15/16 125.4	3 15/16 100.0	.497 12.62	3 11/16 93.7	2 15/32 62.7	7/8 22.2	13/32 10.3	1.65 42.0	1.5315 38.900	0.374 9.50	3/8	FH207 -20-GO FH207 -21-GO FH207 -22-GO FH207 -23-GO FH207 -35mm-GO	F3C-207-H

Bolt hole diameter ('s' dimension) can be drilled to your specifications

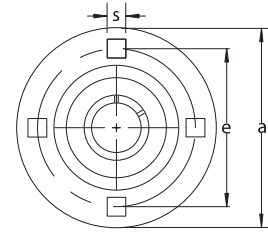
Flange Units – Pressed Steel 3 Bolt & 4 Bolt FHSPFZ200 / FHSPFFZ200 Series Set Screw Locking



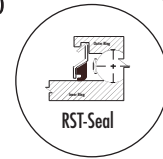
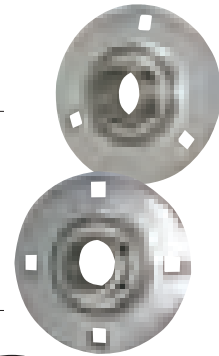
- Two light duty, self-aligning pressed steel housings
- Narrow inner ring bearing
- Zinc plated stamped steel (shown)
- Non-plated, raw stamped steel available (FHSPFR/FHSPFFR Series)
- Non-relubricatable unit (shown)
- Relubricatable unit available (Add "G" suffix to end of part number)
- Standard seal: RST tight riding, full cover, metal shroud seals



FHSPFZ200



FHSPFFZ200



Optional seals: See page 85

FHSPFZ200 3-Bolt

Unit No.	Shaft Diam.	Dimensions ⁱⁿ _{mm}								Bolt Size In.	Bearing No.	Housing No.
		a	e	g	c	s	f	Bi	n			
FHSPFZ201 -8 FHSPFZ201 -12mm FHSPFZ202 -9 FHSPFZ202 -10 FHSPFZ202 -15mm FHSPFZ203 -11 FHSPFZ203 -17mm	1/2 12mm 9/16 5/8 15mm 11/16 17mm	3 3/16 81	2 1/2 64	.074 1.9	9/16 14	9/32 7	1 15/16 49	0.8858 22.500	0.256 6.50	1/4	FHS201 -8 FHS201 -12mm FHS202 -9 FHS202 -10 FHS202 -15mm FHS203 -11 FHS203 -17mm	PF-3Z
FHSPFZ204 -12 FHSPFZ204 -13 FHSPFZ204 -20mm	3/4 13/16 20mm	3 9/16 90	2 13/16 71	.083 2.1	5/8 16	11/32 9	2 3/16 56	0.9843 25.000	0.295 7.50	5/16	FHS204 -12 FHS204 -13 FHS204 -20mm	PF-4Z
FHSPFZ205 -12 FHSPFZ205 -13 FHSPFZ205 -14 FHSPFZ205 -15 FHSPFZ205 -16 FHSPFZ205 -25mm	3/4 13/16 7/8 15/16 1 25mm	3 3/4 95	3 76	.083 2.1	11/16 17	11/32 9	2 3/8 66	1.0630 27.000	0.295 7.50	5/16	FHS205 -12 FHS205 -13 FHS205 -14 FHS205 -15 FHS205 -16 FHS205 -25mm	PF-5Z
FHSPFZ206 -17 FHSPFZ206 -18 FHSPFZ206 -19 FHSPFZ206 -20 FHSPFZ206 -30mm	1 1/16 1 1/8 1 3/16 1 1/4(s) 30mm	4 7/16 113	3 9/16 90	.104 2.6	11/16 17	13/32 10	2 13/16 71	1.1811 30.000	0.354 9.00	3/8	FHS206 -17 FHS206 -18 FHS206 -19 FHS206 -20 FHS206 -30mm	PF-6Z
FHSPFZ207 -20 FHSPFZ207 -21 FHSPFZ207 -22 FHSPFZ207 -23 FHSPFZ207 -35mm	1 1/4 1 5/16 1 3/8 1 7/16 35mm	4 13/16 122	3 15/16 100	.104 2.6	3/4 19	13/32 10	3 3/16 81	1.2598 32.000	0.374 9.50	3/8	FHS207 -20 FHS207 -21 FHS207 -22 FHS207 -23 FHS207 -35mm	PF-7Z

FHSPFFZ200 4-Bolt

FHSPFFZ207 -20 FHSPFFZ207 -21 FHSPFFZ207 -22 FHSPFFZ207 -23 FHSPFFZ207 -35mm	1 1/4 1 5/16 1 3/8 1 7/16 35mm	4 13/16 122.3	3 15/16 100	.104 2.6	3/4 20.2	13/32 10.4	3 3/16 81	1.2598 32.000	0.37 9.50	3/8	FHS207 -20 FHS207 -21 FHS207 -22 FHS207 -23 FHS207 -35mm	PFF-7Z
FHSPFFZ208 -24 FHSPFFZ208 -25 FHSPFFZ208 -40mm	1 1/2 1 9/16 40mm	5 13/16 148	4 11/16 119	.134 3.3	13/16 20.2	17/32 13.5	3 9/16 90	1.4961 38.000	0.43 11.00	1/2	FHS208 -24 FHS208 -25 FHS208 -40mm	PFF-8Z
FHSPFFZ209 -26 FHSPFFZ209 -27 FHSPFFZ209 -28 FHSPFFZ209 -45mm	1 5/8 1 11/16 1 3/4 45mm	5 7/8 149	4 3/4 121	.134 3.4	7/8 22	17/32 13	3 13/16 90	1.5551 39.500	0.43 11.00	1/2	FHS209 -26 FHS209 -27 FHS209 -28 FHS209 -45mm	PFF-9Z
FHSPFFZ210 -29 FHSPFFZ210 -30 FHSPFFZ210 -31 FHSPFFZ210 -32 FHSPFFZ210 -50mm	1 13/16 1 7/8 1 15/16 2 50mm	6 1/8 156	5 127	.149 3.8	7/8 22	17/32 13	4 102	1.7165 43.600	0.43 11.00	1/2	FHS210 -29 FHS210 -30 FHS210 -31 FHS210 -32 FHS210 -50mm	PFF-10Z
FHSPFFZ211 -32 FHSPFFZ211 -33 FHSPFFZ211 -34 FHSPFFZ211 -35 FHSPFFZ211 -55mm	2 2 1/16 2 1/8 2 3/16 55mm	6 9/16 167	5 7/16 138	.149 3.8	15/16 24	17/32 13	4 7/16 113	1.81 45.90	0.49 12.50	1/2	FHS211 -32 FHS211 -33 FHS211 -34 FHS211 -35 FHS211 -55mm	PFF-11Z

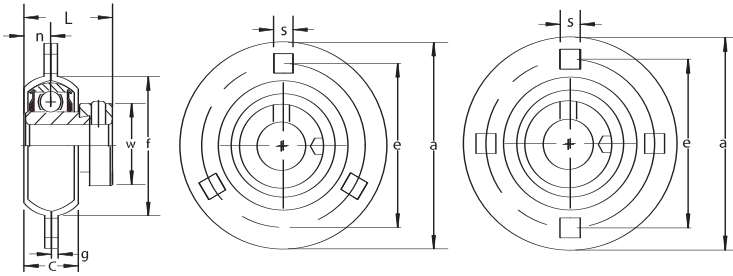
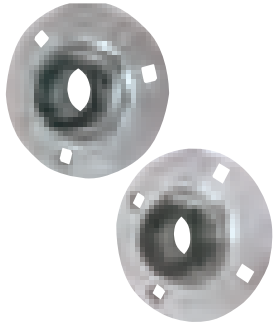
Stamped housings can be made in AISI 304 stainless steel. Combine with stainless steel bearing for maximum corrosion resistance:
Example: SSFHSPF205-16

Standard Mounted Units



Flange Units – Pressed Steel 3 Bolt & 4 Bolt

FHPFZ200 / FHPFFZ200 Series Eccentric Locking Collar



FHPFZ200

FHPFFZ200

- Two light duty, self-aligning pressed steel housings
- Narrow inner ring bearing
- Zinc plated stamped steel (shown)
- Non-plated, raw stamped steel available (FHPFR/FHPFFR Series)
- Non-relubricatable unit (shown)
- Relubricatable unit available (Add "G" suffix to end of part number)
- Standard Seal: RST tight riding, full cover, metal shroud seals

Optional seals: See page 85



FHPFZ200 3-Bolt

Unit No.	Shaft Diam.	Dimensions <small>in mm</small>									Bolt Size In.	Bearing No.	Housing No.
		a	e	g	c	s	f	L	n	W			
FHPFZ201 -8 FHPFZ201 -12mm FHPFZ202 -9 FHPFZ202 -10 FHPFZ202 -15mm FHPFZ203 -11 FHPFZ203 -17mm	1/2 12mm 9/16 5/8 15mm 11/16 17mm	3 3/16 81	2 1/2 64	.074 1.9	9/16 14	9/32 7	1 15/16 49	1.1260 28.600	0.256 6.50	1.13 28.60	1/4	FH201 -8 FH201 -12mm FH202 -9 FH202 -10 FH202 -15mm FH203 -11 FH203 -17mm	PF-3Z
FHPFZ204 -12 FHPFZ204 -20mm	3/4 20mm	3 9/16 90	2 13/16 71	.083 2.1	5/8 16	11/32 9	2 3/16 56	1.2205 31.000	0.295 7.50	1.26 32.00	5/16	FH204 -12 FH204 -20mm	PF-4Z
FHPFZ205 -13 FHPFZ205 -14 FHPFZ205 -15 FHPFZ205 -16 FHPFZ205 -25mm	13/16 7/8 15/16 1 25mm	3 3/4 95	3 76	.083 2.1	11/16 17	11/32 9	2 3/8 66	1.2205 31.000	0.295 7.50	1.50 38.10	5/16	FH205 -13 FH205 -14 FH205 -15 FH205 -16 FH205 -25mm	PF-5Z
FHPFZ206 -17 FHPFZ206 -18 FHPFZ206 -19 FHPFZ206 -20 FHPFZ206 -30mm	1 1/16 1 1/8 1 3/16 1 1/4(s) 30mm	4 7/16 113	3 9/16 90	.104 2.6	11/16 17	13/32 10	2 13/16 71	1.4055 35.700	0.354 9.00	1.75 44.50	3/8	FH206 -17 FH206 -18 FH206 -19 FH206 -20 FH206 -30mm	PF-6Z
FHPFZ207 -20 FHPFZ207 -21 FHPFZ207 -22 FHPFZ207 -23 FHPFZ207 -35mm	1 1/4 1 5/16 1 3/8 1 7/16 35mm	4 13/16 122	3 15/16 100	.104 2.6	3/4 19	13/32 10	3 3/16 81	1.5315 38.900	0.374 9.50	2.19 55.60	3/8	FH207 -20 FH207 -21 FH207 -22 FH207 -23 FH207 -35mm	PF-7Z

FHPFFZ200 4-Bolt

FHPFFZ207-20 FHPFFZ207-21 FHPFFZ207-22 FHPFFZ207-23 FHPFFZ207-35mm	1 1/4 1 5/16 1 3/8 1 7/16 35mm	4 13/16 122.3	3 15/16 100	.104 2.6	3/4 20.2	13/32 10.4	3 3/16 81	1.5315 38.900	0.37 9.50	2.19 55.60	3/8	FH207 -20 FH207 -21 FH207 -22 FH207 -23 FH207 -35mm	PFF-7Z
FHPFFZ208-24 FHPFFZ208-25 FHPFFZ208-40mm	1 1/2 1 9/16 40mm	5 13/16 148	4 11/16 119	.134 3.3	13/16 20.2	17/32 13.5	3 9/16 90	1.7205 43.700	0.43 11.00	2.38 60.40	1/2	FH208 -24 FH208 -25 FH208 -40mm	PFF-8Z
FHPFFZ209-26 FHPFFZ209-27 FHPFFZ209-28 FHPFFZ209-45mm	1 5/8 1 11/16 1 3/4 45mm	5 7/8 149	4 3/4 121	.134 3.4	7/8 22	17/32 13	3 13/16 90	1.7205 43.700	0.43 11.00	2.50 63.50	1/2	FH209 -26 FH209 -27 FH209 -28 FH209 -45mm	PFF-9Z
FHPFFZ210-29 FHPFFZ210-30 FHPFFZ210-31 FHPFFZ210-32 FHPFFZ210-50mm	1 13/16 1 7/8 1 15/16 2(s) 50mm	6 1/8 156	5 127	.149 3.8	7/8 22	17/32 13	4 102	1.7205 43.700	0.43 11.00	2.75 69.90	1/2	FH210 -29 FH210 -30 FH210 -31 FH210 -32 FH210 -50mm	PFF-10Z
FHPFFZ211-32 FHPFFZ211-33 FHPFFZ211-34 FHPFFZ211-35 FHPFFZ211-55mm	2 2 1/16 2 1/8 2 3/16 55mm	6 9/16 167	5 7/16 138	.149 3.8	15/16 24	17/32 13	4 7/16 113	1.9055 48.400	0.49 12.50	3.00 76.20	1/2	FH211 -32 FH211 -33 FH211 -34 FH211 -35 FH211 -55mm	PFF-11Z

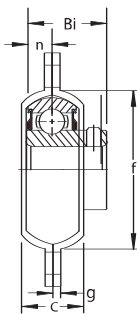
Stamped housings could be made in AISI 304 stainless steel. Combine with stainless steel bearing for maximum corrosion resistance:
Example: SSFHPF205-16

Flange Units – Pressed Steel 3 Bolt Triangle

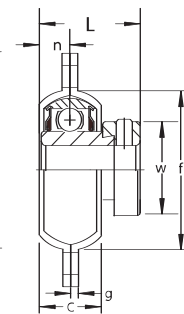
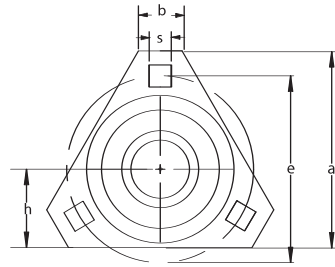
FHSPFTZ200 / FHPFTZ200 Series



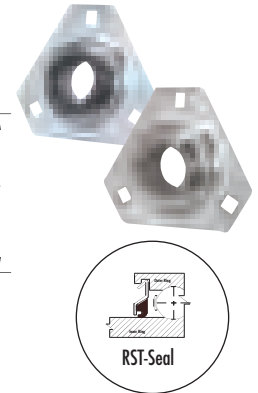
- Two light duty, self-aligning pressed steel housings
- Narrow inner ring bearing
- Zinc plated stamped steel (shown)
- Non-plated, raw stamped steel available (FHSPFTR/FHPFTR Series)
- Non-relubricatable unit (shown)
- Standard Seal: RST tight riding, full cover, metal shroud seals



FHSPFTZ200



FHPFTZ200



Optional seals: See page 85

FHSPFTZ200 Set Screw Locking

Dimensions ⁱⁿ / _{mm}														
Unit No.	Shaft Diam.	a	e	h	s	c	g	b	f	Bi	n	Bolt Size In.	Bearing No.	Housing No.
FHSPFTZ201 -8 FHSPFTZ201 -12mm FHSPFTZ202 -9 FHSPFTZ202 -10 FHSPFTZ202 -15mm FHSPFTZ203 -11 FHSPFTZ203 -17mm	1/2 12mm 9/16 5/8 15mm 11/16 17mm	2 23/32 69	2 1/2 64	1 1/8 29	9/32 7	9/16 14	.074 1.9	13/16 21	1 15/16 49	0.8858 22.500	0.256 6.50	1/4	FHS201 -8 FHS201 -12mm FHS202 -9 FHS202 -10 FHS202 -15mm FHS203 -11 FHS203 -17mm	PFT-3Z
FHSPFTZ204 -12 FHSPFTZ204 -13 FHSPFTZ204 -20mm	3/4 13/16 20mm	3 76	2 13/16 71	1 5/16 33	11/32 9	5/8 16	.083 2.1	1 1/16 27	2 3/16 56	0.9843 25.000	0.295 7.50	5/16	FHS204 -12 FHS204 -13 FHS204 -20mm	PFT-4Z
FHSPFTZ205 -12 FHSPFTZ205 -13 FHSPFTZ205 -14 FHSPFTZ205 -15 FHSPFTZ205 -16 FHSPFTZ205 -25mm	3/4 13/16 7/8 15/16 1 25mm	3 1/8 79	3 76	1 3/8 35	11/32 9	11/16 17	.083 2.1	1 3/32 28	2 3/8 66	1.0630 27.000	0.295 7.50	5/16	FHS205 -12 FHS205 -13 FHS205 -14 FHS205 -15 FHS205 -16 FHS205 -25mm	PFT-5Z
FHSPFTZ206 -17 FHSPFTZ206 -18 FHSPFTZ206 -19 FHSPFTZ206 -20 FHSPFTZ206 -30mm	1 1/16 1 1/8 1 3/16 1 1/4(s) 30mm	3 11/16 94	3 9/16 90	1 1/2 38	13/32 10	11/16 17	.104 2.6	1 25	2 13/16 71	1.1811 30.000	0.354 9.00	3/8	FHS206 -17 FHS206 -18 FHS206 -19 FHS206 -20 FHS206 -30mm	PFT-6Z
FHSPFTZ207 -20 FHSPFTZ207 -21 FHSPFTZ207 -22 FHSPFTZ207 -23 FHSPFTZ207 -35mm	1 1/4 1 5/16 1 3/8 1 7/16 35mm	4 5/32 106	3 15/16 100	1 3/4 44	13/32 10	3/4 19	.104 2.6	1 17/64 32	3 3/16 81	1.2598 32.000	0.374 9.50	3/8	FHS207 -20 FHS207 -21 FHS207 -22 FHS207 -23 FHS207 -35mm	PFT-7Z

Standard Mounted Units

FHPFTZ200 Eccentric Locking Collar

Dimensions ⁱⁿ / _{mm}															
Unit No.	Shaft Diam.	a	e	h	s	c	g	b	f	L	n	W	Bolt Size In.	Bearing No.	Housing No.
FHPFTZ201 -8 FHPFTZ201 -12mm FHPFTZ202 -9 FHPFTZ202 -10 FHPFTZ202 -15mm FHPFTZ203 -11 FHPFTZ203 -17mm	1/2 12mm 9/16 5/8 15mm 11/16 17mm	2 23/32 69	2 1/2 64	1 1/8 29	9/32 7	9/16 14	.074 1.9	13/16 21	1 15/16 49	1.1260 28.600	0.256 6.50	1.13 28.60	1/4	FH201 -8 FH201 -12mm FH202 -9 FH202 -10 FH202 -15mm FH203 -11 FH203 -17mm	PFT-3Z
FHPFTZ204 -12 FHPFTZ204 -20mm	3/4 20mm	3 76	2 13/16 71	1 5/16 33	11/32 9	5/8 16	.083 2.1	1 1/16 27	2 3/16 56	1.2205 31.000	0.295 7.50	1.26 32.00	5/16	FH204 -12 FH204 -20mm	PFT-4Z
FHPFTZ205 -13 FHPFTZ205 -14 FHPFTZ205 -15 FHPFTZ205 -16 FHPFTZ205 -25mm	13/16 7/8 15/16 1 25mm	3 1/8 79	3 76	1 3/8 35	11/32 9	11/16 17	.083 2.1	1 3/32 28	2 3/8 66	1.2205 31.000	0.295 7.50	1.50 38.10	5/16	FH205 -13 FH205 -14 FH205 -15 FH205 -16 FH205 -25mm	PFT-5Z
FHPFTZ206 -17 FHPFTZ206 -18 FHPFTZ206 -19 FHPFTZ206 -20 FHPFTZ206 -30mm	1 1/16 1 1/8 1 3/16 1 1/4(s) 30mm	3 11/16 94	3 9/16 90	1 1/2 38	13/32 10	11/16 17	.104 2.6	1 25	2 13/16 71	1.4055 35.700	0.354 9.00	1.75 44.50	3/8	FH206 -17 FH206 -18 FH206 -19 FH206 -20 FH206 -30mm	PFT-6Z
FHPFTZ207 -20 FHPFTZ207 -21 FHPFTZ207 -22 FHPFTZ207 -23 FHPFTZ207 -35mm	1 1/4 1 5/16 1 3/8 1 7/16 35mm	4 5/32 106	3 15/16 100	1 3/4 44	13/32 10	3/4 19	.104 2.6	1 17/64 32	3 3/16 81	1.5315 38.900	0.374 9.50	2.19 55.60	3/8	FH207 -20 FH207 -21 FH207 -22 FH207 -23 FH207 -35mm	PFT-7Z

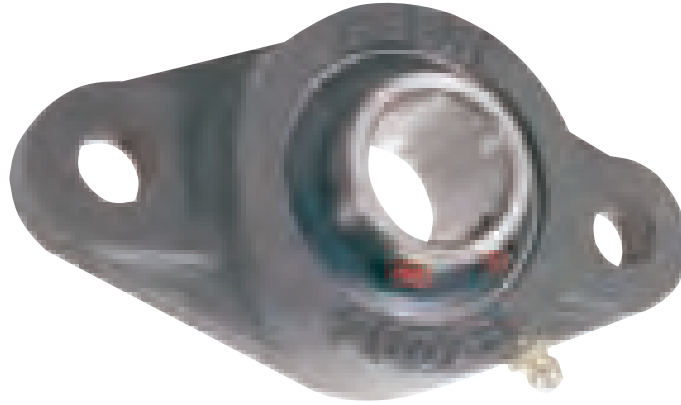
Stamped housings can be made in AISI 304 stainless steel. Combine with stainless steel bearing for maximum corrosion resistance:
Example: SSFHSPFT205-16



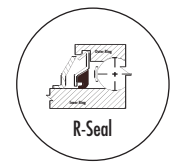
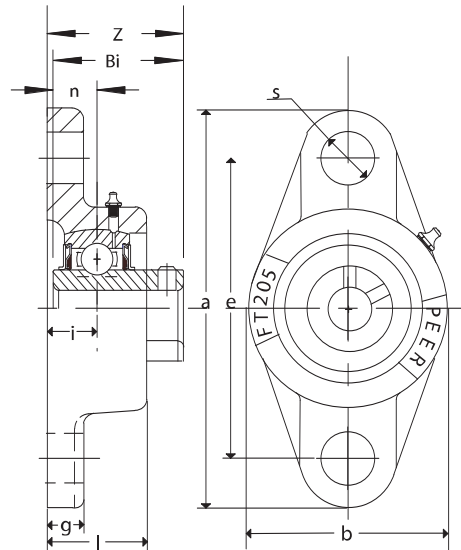
Flange Units – Standard 2 Bolt UCFT200 Series Set Screw Locking

- Standard duty, high-grade cast iron
- Solid base housing design for added strength
- Wide inner ring bearing
- Relubricatable unit with anti-rotation pin
- Standard seal: R-Seal

Triple lip seal and other options:
See page 85



Unit No.	Shaft Diam.	Dimensions ⁱⁿ / _{mm}										Bolt Size In.	Bearing No.	Housing No.
		a	e	i	g	l	s	b	Z	Bi	n			
UCFT201 -8 UCFT201 -12mm UCFT202 -9 UCFT202 -10 UCFT202 -15mm UCFT203 -11 UCFT203 -17mm	1/2 12mm 9/16 5/8 15mm 11/16 17mm	3 7/8 98.4	3 76.2	.594 15.10	7/16 11.1	1 25.4	27/64 11.0	2 1/8 54.0	1.32 33.4	1.220 31.00	0.500 12.70	3/8	UC201 -8 UC201 -12mm UC202 -9 UC202 -10 UC202 -15mm UC203 -11 UC203 -17mm	FT-203-H
UCFT204 -12 UCFT204 -13 UCFT204 -20mm	3/4 13/16 20mm	4 7/16 113.0	3 17/32 89.7	.591 15.00	7/16 11.1	15/16 24.0	27/64 11.0	2 3/8 60.3	1.31 33.3	1.220 31.00	0.500 12.70	3/8	UC204 -12 UC204 -13 UC204 -20mm	FT-204-H
UCFT205 -13 UCFT205 -14 UCFT205 -15 UCFT205 -16 UCFT205 -25mm	13/16 7/8 15/16 1 25mm	5 1/8 130.2	3 57/64 98.8	.630 16.00	1/2 12.7	1 1/64 26.0	17/32 13.5	2 11/16 68.3	1.41 35.7	1.339 34.00	0.563 14.30	7/16	UC205 -13 UC205 -14 UC205 -15 UC205 -16 UC205 -25mm	FT-205-H
UCFT206 -17 UCFT206 -18 UCFT206 -19 UCFT206 -20 UCFT206 -30mm	1 1/16 1 1/8 1 3/16 1 1/4(s) 30mm	5 13/16 147.6	4 19/32 116.7	.709 18.00	1/2 12.7	1 5/32 29.0	17/32 13.5	3 5/32 80.2	1.58 40.2	1.500 38.10	0.626 15.90	7/16	UC206 -17 UC206 -18 UC206 -19 UC206 -20 UC206 -30mm	FT-206-H
UCFT207 -20 UCFT207 -21 UCFT207 -22 UCFT207 -23 UCFT207 -35mm	1 1/4 1 5/16 1 3/8 1 7/16 35mm	6 11/32 161.1	5 1/8 130.2	.748 19.00	9/16 14.3	1 3/16 30.0	37/64 15.0	3 17/32 89.7	1.75 44.4	1.689 42.90	0.689 17.50	1/2	UC207 -20 UC207 -21 UC207 -22 UC207 -23 UC207 -35mm	FT-207-H
UCFT208 -24 UCFT208 -25 UCFT208 -40mm	1 1/2 1 9/16 40mm	6 7/8 174.6	5 21/32 143.7	.828 21.00	9/16 14.3	1 13/32 34.0	37/64 15.0	3 15/16 100.0	2.02 51.2	1.937 49.20	0.748 19.00	1/2	UC208 -24 UC208 -25 UC208 -40mm	FT-208-H
UCFT209 -26 UCFT209 -27 UCFT209 -28 UCFT209 -45mm	1 5/8 1 11/16 1 3/4 45mm	7 13/32 188.1	5 27/32 148.4	.866 22.00	19/32 15.1	1 3/8 35.0	21/32 17.0	4 1/4 108.0	2.06 52.2	1.937 49.20	0.748 19.00	9/16	UC209 -26 UC209 -27 UC209 -28 UC209 -45mm	FT-209-H



Dimensions ⁱⁿ _{mm}																										
Unit No.	Shaft Diam.	a	e	i	g	l	s	b	Z	Bi	n	Bolt Size In.	Bearing No.	Housing No.												
UCFT210 -29	1 13/16	7 3/4 196.9	6 3/16 157.2	.866 22.00	19/32 15.1	1 17/32 39.0	21/32 17.0	4 17/32 115.1	2.15 54.6	2.031 51.60	0.748 19.00	9/16	UC210 -29	FT-210-H												
UCFT210 -30	1 7/8																									
UCFT210 -31	1 15/16																									
UCFT210 -32	2(s)																									
UCFT210 -50mm	50mm																									
UCFT211 -32	2	8 13/16 223.8	7 1/4 184.2	1.000 25.40	23/32 18.3	1 5/8 41.4	45/64 18.0	5 1/8 130.2	2.32 58.8	2.189 55.60	0.874 22.20	5/8	UC211 -32	FT-211-H												
UCFT211 -33	2 1/16																									
UCFT211 -34	2 1/8																									
UCFT211 -35	2 3/16																									
UCFT211 -55mm	55mm																									
UCFT212 -36	2 1/4	9 27/32 250.0	7 15/16 201.6	1.142 29.00	23/32 18.3	1 25/32 45.0	55/64 22.0	5 1/2 139.7	2.70 68.7	2.563 65.10	1.000 25.40	3/4	UC212 -36	FT-212-H												
UCFT212 -37	2 5/16																									
UCFT212 -38	2 3/8																									
UCFT212 -39	2 7/16																									
UCFT212 -60mm	60mm																									
UCFT213 -40	2 1/2	10 5/32 258.0	8 1/4 209.6	1.181 30.00	25/32 19.8	1 27/32 47.0	55/64 22.0	6 3/32 154.8	2.74 69.7	2.563 65.10	1.000 25.40	3/4	UC213 -40	FT-213-H												
UCFT213 -41	2 9/16																									
UCFT213 -65mm	65mm																									
UCFT214 -42	2 5/8	10 7/16 265.1	8 1/2 215.9	1.220 31.00	25/32 19.8	1 31/32 50.0	55/64 22.0	6 5/16 160.3	2.97 75.4	2.937 74.60	1.189 30.20	3/4	UC214 -42	FT-214-H												
UCFT214 -43	2 11/16																									
UCFT214 -44	2 3/4																									
UCFT214 -70mm	70mm																									
UCFT215 -45	2 13/16	10 13/16 274.6	8 7/8 225.4	1.344 34.10	25/32 19.8	2 1/8 54.0	55/64 22.0	6 1/2 165.1	3.09 78.6	3.063 77.80	1.311 33.30	3/4	UC215 -45	FT-215-H												
UCFT215 -46	2 7/8																									
UCFT215 -47	2 15/16																									
UCFT215 -48	3																									
UCFT215 -75mm	75mm																									
UCFT216 -50	3 1/8	11 13/32 289.7	9 3/16 233.0	1.344 34.10	25/32 19.8	2 5/32 55.0	31/32 25.0	7 3/32 180.2	3.28 83.4	3.252 82.60	1.311 33.30	7/8	UC216 -50	FT-216-H												
UCFT216 -80mm	80mm																									
UCFT217 -52	3 1/4	12 304.8	9 3/4 247.7	1.406 35.70	7/8 22.2	2 9/32 58.0	31/32 25.0	7 15/32 189.7	3.44 87.3	3.374 85.70	1.343 34.10	7/8	UC217 -52	FT-217-H												
UCFT217 -55	3 7/16																									
UCFT217 -85mm	85mm																									
UCFT218 -56	3 1/2	12 19/32 319.9	10 17/64 260.7	1.563 39.70	29/32 23.0	2 31/64 63.0	31/32 25.0	8 1/16 204.8	3.78 96.0	3.780 96.00	1.563 39.70	7/8	UC218 -56	FT-218-H												
UCFT218 -90mm	90mm																									

1. Bolt hole diameter ('s' dimension) can be drilled to your specifications
2. Overall length ('a' dimension) can be made to your specifications

Standard Mounted Units



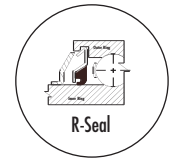
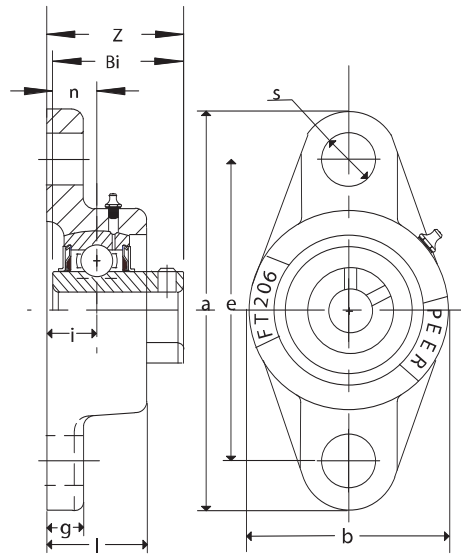
Flange Units – Medium Duty 2 Bolt UCFTX00 Series Set Screw Locking

- Medium duty, high-grade cast iron
- Solid base housing design for added strength
- Wide inner ring bearing
- Relubricatable unit with anti-rotation pin
- Standard seal: R-Seal

Triple lip seal and other options:
See page 85



Unit No.	Dimensions ⁱⁿ / _{mm}											Bolt Size In.	Bearing No.	Housing No.
	Shaft Diam.	a	e	i	g	l	s	b	Z	Bi	n			
UCFTX05 -13 UCFTX05 -14 UCFTX05 -15 UCFTX05 -16 UCFTX05 -25mm	13/16 7/8 15/16 1 25mm	5 13/16 147.6	4 19/32 116.7	.709 18.00	1/2 12.7	1 5/32 29.0	17/32 13.5	3 5/32 80.2	1.58 40.2	1.500 38.10	0.626 15.90	7/16	UCX05 -13 UCX05 -14 UCX05 -15 UCX05 -16 UCX05 -25mm	FT-206-H
UCFTX06 -17 UCFTX06 -18 UCFTX06 -19 UCFT207 -20 * UCFTX06 -30mm	1 1/16 1 1/8 1 3/16 1 1/4 30mm	6 11/32 161.1	5 1/8 130.2	.748 19.00	9/16 14.3	1 3/16 30.0	37/64 15.0	3 17/32 89.7	1.75 44.4	1.689 42.90	0.689 17.50	1/2	UCX06 -17 UCX06 -18 UCX06 -19 UC207 -20 * UCX06 -30mm	FT-207-H
UCFTX07 -20 UCFTX07 -21 UCFTX07 -22 UCFTX07 -23 UCFTX07 -35mm	1 1/4 1 5/16 1 3/8 1 7/16 35mm	6 7/8 174.6	5 21/32 143.7	.828 21.00	9/16 14.3	1 13/32 34.0	37/64 15.0	3 15/16 100.0	2.02 51.2	1.937 49.20	0.748 19.00	1/2	UCX07 -20 UCX07 -21 UCX07 -22 UCX07 -23 UCX07 -35mm	FT-208-H
UCFTX08 -24 UCFTX08 -25 UCFTX08 -40mm	1 1/2 1 9/16 40mm	7 13/32 188.1	5 27/32 148.4	.866 22.00	19/32 15.1	1 3/8 35.0	21/32 17.0	4 1/4 108.0	2.06 52.2	1.937 49.20	0.748 19.00	9/16	UCX08 -24 UCX08 -25 UCX08 -40mm	FT-209-H
UCFTX09 -26 UCFTX09 -27 UCFTX09 -28 UCFTX09 -45mm	1 5/8 1 11/16 1 3/4 45mm	7 3/4 196.9	6 3/16 157.2	.866 22.00	19/32 15.1	1 17/32 39.0	21/32 17.0	4 17/32 115.1	2.15 54.6	2.031 51.60	0.748 19.00	9/16	UCX09 -26 UCX09 -27 UCX09 -28 UCX09 -45mm	FT-210-H
UCFTX10 -29 UCFTX10 -30 UCFTX10 -31 UCFT211 -32 ** UCFTX10 -50mm	1 13/16 1 7/8 1 15/16 2 50mm	8 13/16 223.8	7 1/4 184.2	1 25.40	23/32 18.3	1 5/8 41.4	45/64 18.0	5 1/8 130.2	2.32 58.8	2.189 55.60	0.874 22.20	5/8	UCX10 -29 UCX10 -30 UCX10 -31 UC211 -32 ** UCX10 -50mm	FT-211-H



Unit No.	Shaft Diam.	Dimensions ⁱⁿ / _{mm}										Bolt Size In.	Bearing No.	Housing No.		
		a	e	i	g	l	s	b	Z	Bi	N					
UCFTX11 -32	2															
UCFTX11 -33	2 1/16															
UCFTX11 -34	2 1/8	9 27/32	7 15/16	1.142	23/32	1 25/32	55/64	5 1/2	2.70	2.563	1.000	3/4	UCX11 -32	FT-212-H		
UCFTX11 -35	2 3/16	250.0	201.6	29.00	18.3	45.0	22.0	139.7	68.7	65.10	25.40		UCX11 -33			
UCFT212 -36 ***	2 1/4												UCX11 -34			
UCFTX11 -55mm	55mm												UCX11 -35			
													UC212 -36***			
UCFTX12 -37	2 5/16	10 5/32	8 1/4	1.181	25/32	1 27/32	55/64	6 3/32	2.74	2.563	1.000	3/4	UCX12 -37	FT-213-H		
UCFTX12 -38	2 3/8	258.0	209.6	30.00	19.8	47.0	22.0	154.8	69.7	65.10	25.40		UCX12 -38			
UCFTX12 -39	2 7/16												UCX12 -39			
UCFTX12 -60mm	60mm												UCX12 -60mm			
UCFTX13 -40	2 1/2	10 7/16	8 1/2	1.220	25/32	1 31/32	55/64	6 5/16	2.97	2.937	1.189	3/4	UCX13 -40	FT-214-H		
UCFTX13 -41	2 9/16	265.1	215.9	31.00	19.8	50.0	22.0	160.3	75.4	74.60	30.20		UCX13 -41			
UCFTX13 -65mm	65mm												UCX13 -65mm			
UCFTX14 -42	2 5/8												UCX14 -42	FT-215-H		
UCFTX14 -43	2 11/16	10 13/16	8 7/8	1.344	25/32	2 1/8	55/64	6 1/2	3.09	3.063	1.311	3/4	UCX14 -43			
UCFTX14 -44	2 3/4	274.6	225.4	34.10	19.8	54.0	22.0	165.1	78.6	77.80	33.30		UCX14 -44			
UCFTX14 -70mm	70mm												UCX14 -70mm			
UCFTX15 -45	2 13/16												UCX15 -45	FT-216-H		
UCFTX15 -46	2 7/8												UCX15 -46			
UCFTX15 -47	2 15/16	11 13/32	9 3/16	1.344	25/32	2 5/32	31/32	7 3/32	3.28	3.252	1.311	7/8	UCX15 -47			
UCFTX15 -48	3	289.7	233.0	34.10	19.8	55.0	25.0	180.2	83.4	82.60	33.30		UCX15 -48			
UCFTX15 -75mm	75mm												UCX15 -75mm			
UCFTX16 -50	3 1/8	12	9 3/4	1.406	7/8	2 9/32	31/32	7 15/32	3.44	3.374	1.343	7/8	UCX16 -50	FT-217-H		
UCFTX16 -80mm	80mm	304.8	247.7	35.70	22.2	58.0	25.0	189.7	87.3	85.70	34.10		UCX16 -80mm			
UCFTX17 -52	3 1/4	12 19/32	10 17/64	1.563	29/32	2 31/64	31/32	8 1/16	3.78	3.780	1.563	7/8	UCX17 -52	FT-218-H		
UCFTX17 -85mm	85mm	319.9	260.7	39.70	23.0	63.0	25.0	204.8	96.0	96.00	39.70		UCX17 -85mm			

*UCFTX06-20 uses standard UC207-20 bearing and therefore is listed as UCFT207-20

**UCFTX10-32 uses standard UC211-32 bearing and therefore is listed as UCFT211-32

***UCFTX11-36 uses standard UC212-36 bearing and therefore is listed as UCFT212-36

Bolt hole diameter ('s' dimension) can be drilled to your specifications

Standard Mounted Units



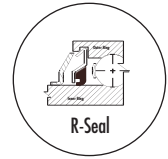
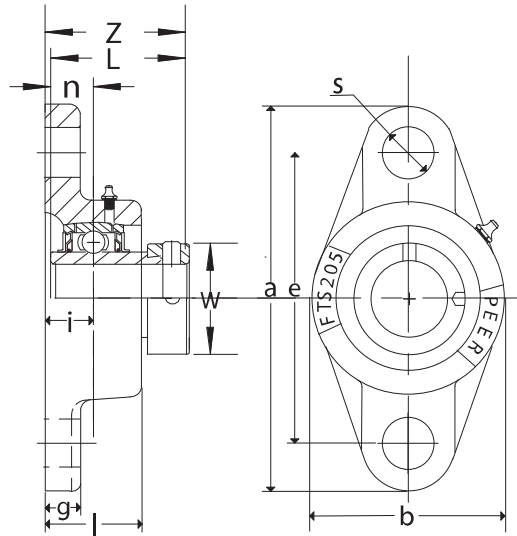
Flange Units – Standard 2 Bolt HCFTS200 Series Eccentric Locking Collar

- Standard duty, high-grade cast iron
- Solid base housing design for added strength
- Wide inner ring bearing
- Relubricatable unit
- Standard seal: R-Seal

Triple lip seal and other options:
See page 85



Dimensions <small>in mm</small>															
Unit No.	Shaft Diam.	a	e	i	g	l	s	b	Z	L	n	W	Bolt Size In.	Bearing No.	Housing No.
HCSFSTS201 -8 HCSFSTS201 -12mm HCSFSTS202 -9 HCSFSTS202 -10 HCSFSTS202 -15mm HCSFSTS203 -11 HCSFSTS203 -17mm	1/2 12mm 9/16 5/8 15mm 11/16 17mm	3 7/8 98.4	3 76.2	.75 19.10	7/16 11.1	1 1/4 31.6	25/64 10.0	2 3/8 60.3	1.67 42.5	1.469 37.30	0.547 13.90	1.13 28.60	5/16	HCS201 -8 HCS201 -12mm HCS202 -9 HCS202 -10 HCS202 -15mm HCS203 -11 HCS203 -17mm	FTS-203S-H
HCFTS201 -8 HCFTS201 -12mm HCFTS202 -9 HCFTS202 -10 HCFTS202 -15mm HCFTS203 -11 HCFTS203 -17mm	1/2 12mm 9/16 5/8 15mm 11/16 17mm	4 7/16 113.0	3 17/32 89.7	.75 19.10	7/16 11.1	1 9/64 29.0	15/32 12.0	2 3/8 60.3	1.80 45.6	1.713 43.50	0.669 17.00	1.26 32.00	3/8	HC201 -8 HC201 -12mm HC202 -9 HC202 -10 HC202 -15mm HC203 -11 HC203 -17mm	FTS-204-H
HCFTS204 -12 HCFTS204 -20mm	3/4 20mm	4 7/16 113.0	3 17/32 89.7	.75 19.10	7/16 11.1	1 9/64 29.0	15/32 12.0	2 3/8 60.3	1.80 45.6	1.713 43.50	0.669 17.00	1.26 32.00	3/8	HC204 -12 HC204 -20mm	FTS-204-H
HCFTS205 -13 HCFTS205 -14 HCFTS205 -15 HCFTS205 -16 HCFTS205 -25mm	13/16 7/8 15/16 1 25mm	4 7/8 123.8	3 57/64 98.8	.75 19.10	17/32 13.5	1 5/32 29.6	15/32 12.0	2 3/4 69.9	1.81 46.0	1.744 44.30	0.685 17.40	1.50 38.10	3/8	HC205 -13 HC205 -14 HC205 -15 HC205 -16 HC205 -25mm	FTS-205-H
HCFTS206 -17 HCFTS206 -18 HCFTS206 -19 HCFTS206 -20 HCFTS206 -30mm	1 1/16 1 1/8 1 3/16 1 1/4(s) 30mm	5 9/16 141.3	4 19/32 116.7	.826 21.00	17/32 13.5	1 3/8 34.9	15/32 12.0	3 1/8 79.4	2.01 51.1	1.902 48.30	0.717 18.20	1.75 44.50	3/8	HC206 -17 HC206 -18 HC206 -19 HC206 -20 HC206 -30mm	FTS-206-H
HCFTS207 -20 HCFTS207 -21 HCFTS207 -22 HCFTS207 -23 HCFTS207 -35mm	1 1/4 1 5/16 1 3/8 1 7/16 35mm	6 1/8 155.6	5 1/8 130.2	.906 23.00	9/16 14.3	1 15/32 37.3	37/64 15.0	3 5/8 92.1	2.18 55.3	2.012 51.10	0.740 18.80	2.19 55.60	1/2	HC207 -20 HC207 -21 HC207 -22 HC207 -23 HC207 -35mm	FTS-207-H
HCFTS208 -24 HCFTS208 -25 HCFTS208 -40mm	1 1/2 1 9/16 40mm	6 3/4 171.5	5 21/32 143.7	1 25.40	9/16 14.3	1 17/32 38.9	17/32 13.5	4 1/8 104.8	2.37 60.3	2.217 56.30	0.843 21.40	2.37 60.30	7/16	HC208 -24 HC208 -25 HC208 -40mm	FTS-208-H



Dimensions in mm

Unit No.	Shaft Diam.	a	e	i	G	l	s	b	Z	L	n	W	Bolt Size In.	Bearing No.	Housing No.
HCFTS209 -26	1 5/8													HC209 -26	
HCFTS209 -27	1 11/16	7 1/16	5 27/32	1.000	9/16	1 3/4	21/32	4 3/8	2.37	2.217	0.843	2.50	9/16	HC209 -27	FTS-209-H
HCFTS209 -28	1 3/4	179.4	148.4	25.40	14.3	44.5	17.0	111.1	60.3	56.30	21.40	63.50	9/16	HC209 -28	
HCFTS209 -45mm	45mm													HC209 -45mm	
HCFTS210 -29	1 13/16													HC210 -29	FTS-210-H
HCFTS210 -30	1 7/8													HC210 -30	
HCFTS210 -31	1 15/16	7 7/16	6 3/16	1.181	9/16	1 27/32	21/32	4 9/16	2.68	2.469	0.969	2.75	9/16	HC210 -31	
HCFTS210 -32	2(s)	189.0	157.2	30.00	14.3	46.8	17.0	115.9	68.1	62.70	24.60	69.90	9/16	HC210 -32	
HCFTS210 -50mm	50mm													HC210 -50mm	
HCFTS211 -32	2													HC211 -32	FTS-211-H
HCFTS211 -33	2 1/16													HC211 -33	
HCFTS211 -34	2 1/8	8 1/2	7 1/4	1.299	13/16	1 31/32	21/32	5 1/4	3.03	2.811	1.090	3.00	9/16	HC211 -34	
HCFTS211 -35	2 3/16	216.0	184.2	33.30	20.6	50.0	17.0	133.4	77.0	71.40	27.70	76.20	9/16	HC211 -35	
HCFTS211 -55mm	55mm													HC211 -55mm	
HCFTS212 -36	2 1/4													HC212 -36	FTS-212-H
HCFTS212 -37	2 5/16													HC212 -37	
HCFTS212 -38	2 3/8	9 1/4	7 15/16	1.344	13/16	2 3/32	21/32	5 7/16	3.19	3.063	1.217	3.31	9/16	HC212 -38	
HCFTS212 -39	2 7/16	235.0	201.6	34.10	20.6	53.2	17.0	138.1	81.0	77.80	30.90	84.10	9/16	HC212 -39	
HCFTS212 -60mm	60mm													HC212 -60mm	
HCFTS213 -40	2 1/2													HC213 -40	FTS-213-H
HCFTS213 -41	2 9/16	9 3/4	8 1/4	1.500	7/8	2 5/16	45/64	5 31/32	3.53	3.374	1.343	3.39	5/8	HC213 -41	
HCFTS213 -65mm	65mm	247.7	209.6	38.10	22.2	58.7	18.0	151.6	89.7	85.70	34.10	86.00	5/8	HC213 -65mm	
HCFTS214 -42	2 5/8													HC214 -42	FTS-214-H
HCFTS214 -43	2 11/16	10 1/8	8 1/2	1.500	7/8	2 7/16	45/64	6 1/4	3.53	3.374	1.343	3.54	5/8	HC214 -43	
HCFTS214 -44	2 3/4	257.2	215.9	38.10	22.2	61.9	18.0	158.8	89.7	85.70	34.10	90.00	5/8	HC214 -44	
HCFTS214 -70mm	70mm													HC214 -70mm	
HCFTS215 -45	2 13/16													HC215 -45	FTS-215-H
HCFTS215 -46	2 7/8													HC215 -46	
HCFTS215 -47	2 15/16	10 15/32	8 7/8	1.609	7/8	2 9/16	45/64	6 1/2	3.77	3.626	1.469	4.00	5/8	HC215 -47	
HCFTS215 -48	3	265.9	225.4	40.90	22.2	65.1	18.0	165.1	95.7	92.10	37.30	101.60	5/8	HC215 -48	
HCFTS215 -75mm	75mm													HC215 -75mm	

Bolt hole diameter ('s' dimension) can be drilled to your specifications

Standard Mounted Units



Flange Units – Standard 2 Bolt

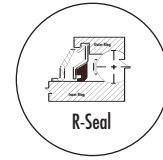
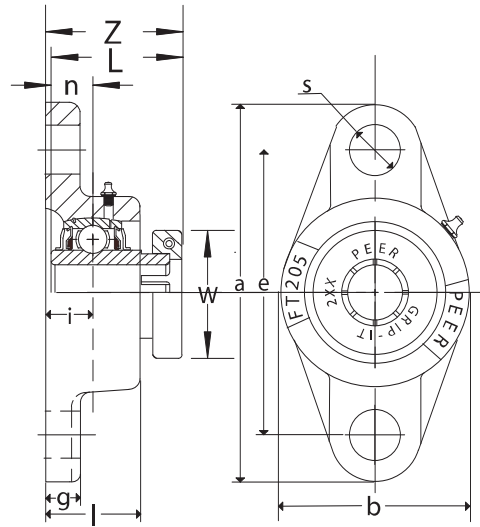
GRFT200 Series GRIP-IT 360 Degree Locking

- Standard duty, high-grade cast iron
- Solid base housing design for added strength
- Wide inner ring bearing
- Relubricatable unit with anti-rotation pin
- Black Oxide plated inner and outer rings
- Standard seal: R-Seal

Triple lip seal and other options:
See page 85



Unit No.	Shaft Diam.	Dimensions ⁱⁿ _{mm}											Bolt Size In.	Bearing No.	Housing No.
		a	e	i	g	l	s	b	Z	L	n	W			
GRFT204 -12 GRFT204 -13 GRFT204 -20mm	3/4 13/16 20mm	4 7/16 113.0	3 17/32 89.7	.591 15.00	7/16 11.1	15/16 24.0	27/64 11.0	2 3/8 60.3	1.46 37.2	1.374 34.90	0.500 12.70	1.76 44.60	3/8	GR204 -12 GR204 -13 GR204 -20mm	FT-204-H
GRFT205 -13 GRFT205 -14 GRFT205 -15 GRFT205 -16 GRFT205 -25mm	13/16 7/8 15/16 1 25mm	5 1/8 130.2	3 57/64 98.8	.630 16.00	1/2 12.7	1 1/64 26.0	17/32 13.5	2 11/16 68.3	1.58 40.1	1.512 38.40	0.563 14.30	1.94 49.20	7/16	GR205 -13 GR205 -14 GR205 -15 GR205 -16 GR205 -25mm	FT-205-H
GRFT206 -17 GRFT206 -18 GRFT206 -19 GRFT206 -20 GRFT206 -30mm	1 1/16 1 1/8 1 3/16 1 1/4(s) 30mm	5 13/16 147.6	4 19/32 116.7	.709 18.00	1/2 12.7	1 5/32 29.0	17/32 13.5	3 5/32 80.2	1.73 44.0	1.650 41.90	0.626 15.90	2.19 55.50	7/16	GR206 -17 GR206 -18 GR206 -19 GR206 -20 GR206 -30mm	FT-206-H
GRFT207 -20 GRFT207 -21 GRFT207 -22 GRFT207 -23 GRFT207 -35mm	1 1/4 1 5/16 1 3/8 1 7/16 35mm	6 11/32 161.1	5 1/8 130.2	.748 19.00	9/16 14.3	1 3/16 30.0	37/64 15.0	3 17/32 89.7	1.93 49.0	1.870 47.50	0.689 17.50	2.57 65.40	1/2	GR207 -20 GR207 -21 GR207 -22 GR207 -23 GR207 -35mm	FT-207-H
GRFT208 -24 GRFT208 -25 GRFT208 -40mm	1 1/2 1 9/16 40mm	6 7/8 174.6	5 21/32 143.7	.828 21.00	9/16 14.3	1 13/32 34.0	37/64 15.0	3 15/16 100.0	2.19 55.7	2.114 53.70	0.748 19.00	2.69 68.40	1/2	GR208 -24 GR208 -25 GR208 -40mm	FT-208-H
GRFT209 -26 GRFT209 -27 GRFT209 -28 GRFT209 -45mm	1 5/8 1 11/16 1 3/4 45mm	7 13/32 188.1	5 27/32 148.4	.866 22.00	19/32 15.1	1 3/8 35.0	21/32 17.0	4 1/4 108.0	2.24 56.9	2.122 53.90	0.748 19.00	2.93 74.50	9/16	GR209 -26 GR209 -27 GR209 -28 GR209 -45mm	FT-209-H



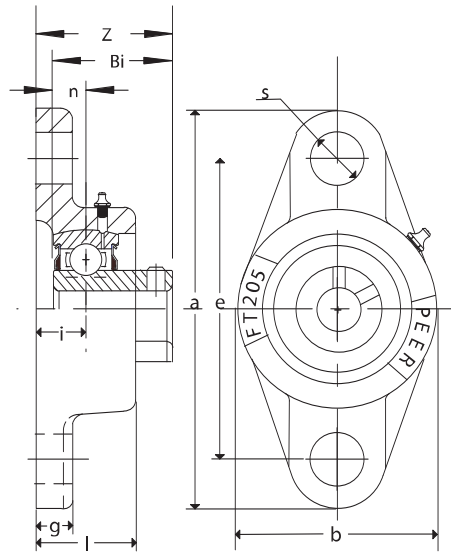
Dimensions ⁱⁿ / _{mm}															
Unit No.	Shaft Diam.	a	e	i	g	l	s	b	Z	L	n	W	Bolt Size In.	Bearing No.	Housing No.
GRFT210 -29	1 13/16													GR210 -29	FT-210-H
GRFT210 -30	1 7/8													GR210 -30	
GRFT210 -31	1 15/16	7 3/4	6 3/16	.866	19/32	1 17/32	21/32	4 17/32	2.39	2.268	0.748	3.39	9/16	GR210 -31	
GRFT210 -32	2(s)	196.9	157.2	22.00	15.1	39.0	17.0	115.1	60.6	57.60	19.00	86.00		GR210 -32	
GRFT210 -50mm	50mm													GR210 -50mm	
GRFT211 -32	2													GR211 -32	FT-211-H
GRFT211 -33	2 1/16													GR211 -33	
GRFT211 -34	2 1/8	8 13/16	7 1/4	1.000	23/32	1 5/8	45/64	5 1/8	2.56	2.429	0.874	3.50	5/8	GR211 -34	
GRFT211 -35	2 3/16	223.8	184.2	25.40	18.3	41.4	18.0	130.2	64.9	61.70	22.20	89.00		GR211 -35	
GRFT211 -55mm	55mm													GR211 -55mm	
GRFT212 -36	2 1/4													GR212 -36	FT-212-H
GRFT212 -37	2 5/16													GR212 -37	
GRFT212 -38	2 3/8	9 27/32	7 15/16	1.142	23/32	1 25/32	55/64	5 1/2	2.99	2.846	1.000	4.06	3/4	GR212 -38	
GRFT212 -39	2 7/16	250.0	201.6	29.00	18.3	45.0	22.0	139.7	75.9	72.30	25.40	103.00		GR212 -39	
GRFT212 -60mm	60mm													GR212 -60mm	
GRFT213 -40	2 1/2													GR213 -40	FT-213-H
GRFT213 -41	2 9/16	10 5/32	8 1/4	1.181	25/32	1 27/32	55/64	6 3/32	3.03	2.846	1.000	4.11	3/4	GR213 -41	
GRFT213 -65mm	65mm	258.0	209.6	30.00	19.8	47.0	22.0	154.8	76.9	72.30	25.40	104.50		GR213 -65mm	
GRFT214 -42	2 5/8													GR214 -42	FT-214-H
GRFT214 -43	2 11/16													GR214 -43	
GRFT214 -44	2 3/4	10 7/16	8 1/2	1.220	25/32	1 31/32	55/64	6 5/16	3.25	3.220	1.189	4.39	3/4	GR214 -44	
GRFT214 -70mm	70mm	265.1	215.9	31.00	19.8	50.0	22.0	160.3	82.6	81.80	30.20	111.50		GR214 -70mm	
GRFT215 -45	2 13/16													GR215 -45	FT-215-H
GRFT215 -46	2 7/8													GR215 -46	
GRFT215 -47	2 15/16	10 13/16	8 7/8	1.344	25/32	2 1/8	55/64	6 1/2	3.39	3.358	1.311	4.65	3/4	GR215 -47	
GRFT215 -48	3	274.6	225.4	34.10	19.8	54.0	22.0	165.1	86.1	85.30	33.30	118.00		GR215 -48	
GRFT215 -75mm	75mm													GR215 -75mm	

Standard Mounted Units

1. Bolt hole diameter ('s' dimension) can be drilled to your specifications
2. Overall length ('a' dimension) can be made to your specifications



Flange Units – Standard 2 Bolt FHSFT200-G Series Set Screw Locking



- Standard duty, high-grade cast iron
- Solid base housing design for added strength
- Narrow inner ring bearing
- Relubricatable unit (shown)
- Non-relubricatable unit available (omit "G" from unit part number)
- Standard seal: RST tight riding, full cover, metal shroud seals

Optional seals: See page 85

Dimensions ⁱⁿ _{mm}														
Unit No.	Shaft Diam.	a	e	i	g	l	s	b	Z	Bi	n	Bolt Size In.	Bearing No.	Housing No.
FHSFTJ201D-8G	1/2													
FHSFTJ201D-12mmG	12mm												FHS201 -8G	
FHSFTJ202D-9G	9/16	3 29/32	3	.515	25/64	55/64	27/64	2 1/8	1.15	0.886	0.256	3/8	FHS201 -12mmG	FTJ-203SD-H
FHSFTJ202D-10G	5/8	99.2	76.2	13.10	10.0	21.8	11.0	54.0	29.1	22.50	6.50		FHS202 -9G	
FHSFTJ202D-15mmG	15mm												FHS202 -10G	
FHSFTJ203D-11G	11/16												FHS202 -15mmG	
FHSFTJ203D-17mmG	17mm												FHS203 -11G	
FHSFT204 -12G	3/4	4 7/16	3 17/32	.591	7/16	15/16	27/64	2 3/8	1.28	0.984	0.295	3/8	FHS203 -17mmG	
FHSFT204 -13G	13/16	113.0	89.7	15.00	11.1	24.0	11.0	60.3	32.5	25.00	7.50		FHS204 -12G	FT-204-H
FHSFT204 -20mmG	20mm												FHS204 -13G	
FHSFT205 -12G	3/4												FHS204 -20mmG	
FHSFT205 -13G	13/16												FHS205 -12G	
FHSFT205 -14G	7/8	5 1/8	3 57/64	.630	1/2	1 1/64	17/32	2 11/16	1.40	1.063	0.295	7/16	FHS205 -13G	FT-205-H
FHSFT205 -15G	15/16	130.2	98.8	16.00	12.7	26.0	13.5	68.3	35.5	27.00	7.50		FHS205 -14G	
FHSFT205 -16G	1												FHS205 -15G	
FHSFT205 -25mmG	25mm												FHS205 -16G	
FHSFT206 -17G	1 1/16												FHS205 -166	
FHSFT206 -18G	1 1/8												FHS205 -25mmG	
FHSFT206 -19G	1 3/16	5 13/16	4 19/32	.709	1/2	1 5/32	17/32	3 5/32	1.54	1.181	0.354	7/16	FHS206 -17G	FT-206-H
FHSFT206 -20G	1 1/4(s)	147.6	116.7	18.00	12.7	29.0	13.5	80.2	39.0	30.00	9.00		FHS206 -18G	
FHSFT206 -30mmG	30mm												FHS206 -19G	
FHSFT207 -20G	1 1/4												FHS206 -20G	
FHSFT207 -21G	1 5/16												FHS206 -30mmG	
FHSFT207 -22G	1 3/8	6 11/32	5 1/8	.748	9/16	1 3/16	37/64	3 17/32	1.63	1.260	0.374	1/2	FHS207 -20G	FT-207-H
FHSFT207 -23G	1 7/16	161.1	130.2	19.00	14.3	30.0	15.0	89.7	41.5	32.00	9.50		FHS207 -21G	
FHSFT207 -35mmG	35mm												FHS207 -22G	
FHSFT208 -24G	1 1/2												FHS207 -23G	
FHSFT208 -25G	1 9/16												FHS207 -35mmG	
FHSFT208 -40mmG	40mm	6 7/8	5 21/32	.828	9/16	1 13/32	37/64	3 15/16	1.89	1.496	0.433	1/2	FHS208 -24G	FT-208-H
FHSFT209 -26G	1 5/8	174.6	143.7	21.00	14.3	34.0	15.0	100.0	48.0	38.00	11.00		FHS208 -25G	
FHSFT209 -27G	1 11/16												FHS208 -40mmG	
FHSFT209 -28G	1 3/4												FHS209 -26G	
FHSFT209 -45mmG	45mm	7 13/32	5 27/32	.866	19/32	1 3/8	21/32	4 1/4	1.99	1.555	0.433	9/16	FHS209 -27G	FT-209-H
FHSFT210 -29G	1 13/16												FHS209 -28G	
FHSFT210 -30G	1 7/8												FHS209 -45mmG	
FHSFT210 -31G	1 15/16	7 3/4	6 3/16	.866	19/32	1 17/32	21/32	4 17/32	2.15	1.717	0.433	9/16	FHS210 -29G	FT-210-H
FHSFT210 -32G	2	196.9	157.2	22.00	15.1	39.0	17.0	115.1	54.6	43.60	11.00		FHS210 -30G	
FHSFT210 -50mmG	50mm												FHS210 -31G	
FHSFT211 -32G	2												FHS210 -32G	
FHSFT211 -33G	2 1/16												FHS210 -50mmG	
FHSFT211 -34G	2 1/8	8 13/16	7 1/4	1.000	23/32	1 5/8	45/64	5 1/8	3.26	1.81	0.492	5/8	FHS211 -32G	FT-211-H
FHSFT211 -35G	2 3/16	223.8	184.2	25.40	18.3	41.4	18.0	130.2	82.9	45.90	12.50		FHS211 -33G	
FHSFT211 -55mmG	55mm												FHS211 -34G	
													FHS211 -35G	
													FHS211 -55mmG	

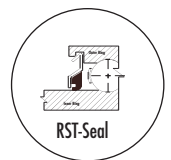
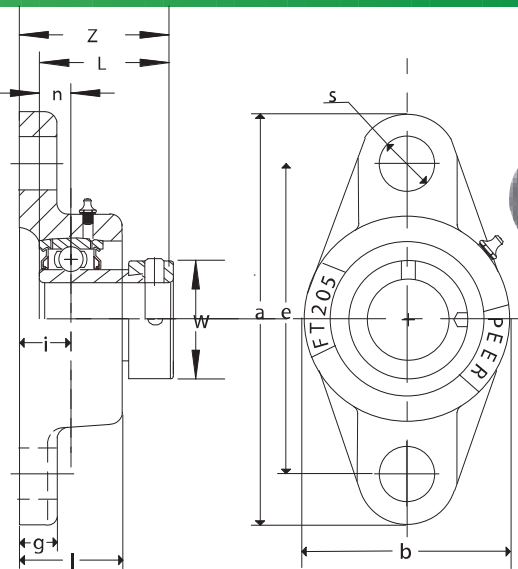
1. Bolt hole diameter ('s' dimension) can be drilled to your specifications
2. Overall length ('a' dimension) can be made to your specifications

Flange Units - Standard 2 Bolt FHFT200-G Series Eccentric Locking Collar



- Standard duty, high-grade cast iron
- Solid base housing design for added strength
- Narrow inner ring bearing
- Relubricatable unit (shown)
- Non-relubricatable unit available (omit "G" from unit part number)
- Standard seal: RST tight riding, full cover, metal shroud seals

Optional seals: See page 85



Dimensions in mm

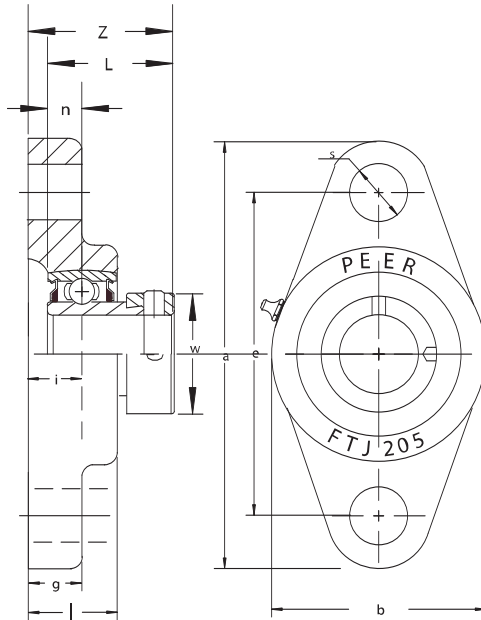
Unit No.	Shaft Diam.	a	e	i	g	l	s	b	Z	L	n	W	Bolt Size In.	Bearing No.	Housing No.
FHFTJ201D -8G FHFTJ201D -12mmG FHFTJ202D -9G FHFTJ202D -10G FHFTJ202D -15mmG FHFTJ203D -11G FHFTJ203D -17mmG	1/2 12mm 9/16 5/8 15mm 11/16 17mm	3 29/32 99.2	3 76.2	.515 13.10	25/64 10.0	55/64 21.8	27/64 11.0	2 1/8 54.0	1.39 35.2	1.126 28.60	0.256 6.50	1.13 28.60	3/8	FH201 -8G FH201 -12mmG FH202 -9G FH202 -10G FH202 -15mmG FH203 -11G FH203 -17mmG	FTJ-203SD-H
FHFT204 -12G FHFT204 -20mmG	3/4 20mm	4 7/16 113.0	3 17/32 89.7	.591 15.00	7/16 11.1	15/16 24.0	27/64 11.0	2 3/8 60.3	1.52 38.5	1.220 31.00	0.295 7.50	1.26 32.00	3/8	FH204 -12G FH204 -20mmG	FT-204-H
FHFT205 -13G FHFT205 -14G FHFT205 -15G FHFT205 -16G FHFT205 -25mmG	13/16 7/8 15/16 1 25mm	5 1/8 130.2	3 57/64 98.8	.630 16.00	1/2 12.7	1 1/64 26.0	17/32 13.5	2 11/16 68.3	1.56 39.5	1.220 31.00	0.295 7.50	1.50 38.10	7/16	FH205 -13G FH205 -14G FH205 -15G FH205 -16G FH205 -25mmG	FT-205-H
FHFT206 -17G FHFT206 -18G FHFT206 -19G FHFT206 -20G FHFT206 -30mmG	1 1/16 1 1/8 1 3/8 1 1/4(s) 30mm	5 13/16 147.6	4 19/32 116.7	.709 18.00	1/2 12.7	1 5/32 29.0	17/32 13.5	3 5/32 80.2	1.76 44.7	1.406 35.70	0.354 9.00	1.75 44.50	7/16	FH206 -17G FH206 -18G FH206 -19G FH206 -20G FH206 -30mmG	FT-206-H
FHFT207 -20G FHFT207 -21G FHFT207 -22G FHFT207 -23G FHFT207 -35mmG	1 1/4 1 5/16 1 3/8 1 7/16 35mm	6 11/32 161.1	5 1/8 130.2	.748 19.00	9/16 14.3	1 3/16 30.0	37/64 15.0	3 17/32 89.7	1.91 48.4	1.531 38.90	0.374 9.50	2.19 55.60	1/2	FH207 -20G FH207 -21G FH207 -22G FH207 -23G FH207 -35mmG	FT-207-H
FHFT208 -24G FHFT208 -25G FHFT208 -40mmG	1 1/2 1 9/16 40mm	6 7/8 174.6	5 21/32 143.7	.828 21.00	9/16 14.3	1 13/32 34.0	37/64 15.0	3 15/16 100.0	2.11 53.7	1.720 43.70	0.433 11.00	2.38 60.40	1/2	FH208 -24G FH208 -25G FH208 -40mmG	FT-208-H
FHFT209 -26G FHFT209 -27G FHFT209 -28G FHFT209 -45mmG	1 5/8 1 11/16 1 3/4 45mm	7 13/32 188.1	5 27/32 148.4	.866 22.00	19/32 15.1	1 3/8 35.0	21/32 17.0	4 1/4 108.0	2.15 54.7	1.720 43.70	0.433 11.00	2.50 63.50	9/16	FH209 -26G FH209 -27G FH209 -28G FH209 -45mmG	FT-209-H
FHFT210 -29G FHFT210 -30G FHFT210 -31G FHFT210 -32G FHFT210 -50mmG	1 13/16 1 7/8 1 15/16 2(s) 50mm	7 3/4 196.9	6 3/16 157.2	.866 22.00	19/32 15.1	1 17/32 39.0	21/32 17.0	4 17/32 115.1	2.15 54.7	1.720 43.70	0.433 11.00	2.75 69.90	9/16	FH210 -29G FH210 -30G FH210 -31G FH210 -32G FH210 -50mmG	FT-210-H
FHFT211 -32G FHFT211 -33G FHFT211 -34G FHFT211 -35G FHFT211 -55mmG	2 2 1/16 2 1/8 2 3/16 55mm	8 13/16 223.8	7 1/4 184.2	1.000 25.40	23/32 18.3	1 5/8 41.4	45/64 18.0	5 1/8 130.2	2.41 61.3	1.906 48.40	0.492 12.50	3.00 76.20	5/8	FH211 -32G FH211 -33G FH211 -34G FH211 -35G FH211 -55mmG	FT-211-H
FHFT212 -36G FHFT212 -37G FHFT212 -38G FHFT212 -39G FHFT212 -60mmG	2 1/4 2 5/16 2 3/8 2 7/16 2 7/16	9 27/32 250.0	7 15/16 201.6	1.142 29.00	23/32 18.3	1 25/32 45.0	55/64 22.0	5 1/2 139.7	2.55 64.8	1.941 49.30	0.532 13.50	3.31 84.20	3/4	FH212 -36G FH212 -37G FH212 -38G FH212 -39G FH212 -60mmG	FT-212-H

Standard Mounted Units

1. Bolt hole diameter ('s' dimension) can be drilled to your specifications
2. Overall length ('a' dimension) can be made to your specifications



Flange Units – Narrow Steel 2 Bolt FHFTJ200-G Series Eccentric Locking Collar



- Standard duty, high-grade cast iron
- Solid base housing design for added strength
- Narrow housing follows USA/domestic dimensions
- Narrow inner ring bearing
- Relubricatable unit (shown)
- Non-relubricatable unit available (omit "G" from unit part number)
- Standard seal: RST tight riding, full cover, metal shroud seals

Optional seals: See page 85

Dimensions <small>in mm</small>															
Unit No.	Shaft Diam.	a	e	i	g	l	s	b	Z	L	n	W	Bolt Size In.	Bearing No.	Housing No.
FHFTJ201D -8G	1/2														
FHFTJ201D -12mmG	12mm														
FHFTJ202D -9G	9/16														
FHFTJ202D -10G	5/8	3 29/32	3	.515	25/64	55/64	27/64	2 1/8	1.39	1.126	0.256	1.13	3/8	FH201 -12mmG	FTJ-203SD-H
FHFTJ202D -15mmG	15mm	99.2	76.2	13.10	10.0	21.8	11.0	54.0	35.2	28.60	6.50	28.60		FH202 -9G	
FHFTJ203D -11G	11/16													FH202 -10G	
FHFTJ203D -17mmG	17mm													FH202 -15mmG	
														FH203 -11G	
FHFTJ204 -12G	3/4	4 13/32	3 17/32	.406	7/16	3/4	27/64	2 9/16	1.33	1.220	0.295	1.26	3/8	FH204 -12G	FTJ-204-H
FHFTJ204 -20mmG	20mm	111.9	89.7	10.30	11.1	19.1	11.0	65.1	33.8	31.00	7.50	32.00		FH204 -20mmG	
FHFTJ205 -13G	13/16														
FHFTJ205 -14G	7/8														
FHFTJ205 -15G	15/16	4 7/8	3 57/64	.406	7/16	25/32	17/32	2 3/4	1.33	1.220	0.295	1.50	7/16	FH205 -13G	FTJ-205-H
FHFTJ205 -16G	1	123.8	98.8	10.30	11.1	19.8	13.5	69.9	33.8	31.00	7.50	38.10		FH205 -14G	
FHFTJ205 -25mmG	25mm													FH205 -15G	
														FH205 -16G	
														FH205 -25mmG	
FHFTJ206 -17G	1 1/16														
FHFTJ206 -18G	1 1/8														
FHFTJ206 -19G	1 3/16														
FHFTJ206 -20G	1 1/4(s)	5 9/16	4 19/32	.438	17/32	27/32	17/32	3 1/8	1.49	1.406	0.354	1.75	7/16	FH206 -17G	FTJ-206-H
FHFTJ206 -30mmG	30mm	141.3	116.7	11.10	13.5	21.4	13.5	79.4	37.8	35.70	9.00	44.50		FH206 -18G	
														FH206 -19G	
														FH206 -20G	
														FH206 -30mmG	
FHFTJ207 -20G	1 1/4														
FHFTJ207 -21G	1 5/16														
FHFTJ207 -22G	1 3/8														
FHFTJ207 -23G	1 7/16	6 1/8	5 1/8	.484	9/16	31/32	37/64	3 5/8	1.64	1.531	0.374	2.19	1/2	FH207 -20G	FTJ-207-H
FHFTJ207 -35mmG	35mm	155.6	130.2	12.30	14.3	24.6	15.0	92.1	41.7	38.90	9.50	55.60		FH207 -21G	
														FH207 -22G	
														FH207 -23G	
														FH207 -35mmG	
FHFTJ208 -24G	1 1/2														
FHFTJ208 -25G	1 9/16														
FHFTJ208 -40mmG	40mm	6 3/4	5 21/32	.516	9/16	1 1/32	17/32	4 1/8	1.80	1.720	0.433	2.38	1/2	FH208 -24G	FTJ-208-H
		171.5	143.7	13.10	14.3	26.2	13.5	104.8	45.8	43.70	11.00	60.40		FH208 -25G	
														FH208 -40mmG	
FHFTJ209 -26G	1 5/8														
FHFTJ209 -27G	1 11/16														
FHFTJ209 -28G	1 3/4	7 1/16	5 27/32	.594	5/8	1 1/8	37/64	4 3/8	1.88	1.720	0.433	2.50	1/2	FH209 -26G	FTJ-209-H
FHFTJ209 -45mmG	45mm	179.4	148.4	15.10	15.9	28.6	15.0	111.1	47.8	43.70	11.00	63.50		FH209 -27G	
														FH209 -28G	
														FH209 -45mmG	
FHFTJ210 -29G	1 13/16														
FHFTJ210 -30G	1 7/8														
FHFTJ210 -31G	1 15/16	7 7/16	6 3/16	.594	29/32	1 11/16	37/64	4 35/64	1.88	1.720	0.433	2.75	1/2	FH210 -29G	FTJ-210-H
FHFTJ210 -32G	2(s)	188.9	157.2	15.10	11.5	42.9	15.0	115.5	47.8	43.70	11.00	69.90		FH210 -30G	
FHFTJ210 -50mmG	50mm													FH210 -31G	
														FH210 -32G	
														FH210 -50mmG	
FHFTJ211 -32G	2														
FHFTJ211 -33G	2 1/16														
FHFTJ211 -34G	2 1/8	8 3/16	7 1/4	.738	43/64	1 29/64	45/64	5 3/64	2.15	1.906	0.492	3.00	11/16	FH211 -32G	FTJ-211-H
FHFTJ211 -35G	2 3/16	223.8	184.2	18.70	17.1	36.9	17.9	128.2	54.6	48.40	12.50	76.20		FH211 -33G	
FHFTJ211 -55mmG	55mm													FH211 -34G	
														FH211 -35G	
														FH211 -55mmG	

1. Units available with "FHS" set screw locking style bearings
Example: FHSFTJ205-16G
2. Bolt hole diameter ('s' dimension) can be drilled to your specifications

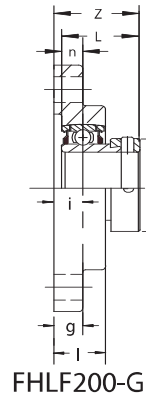
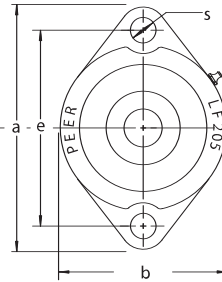
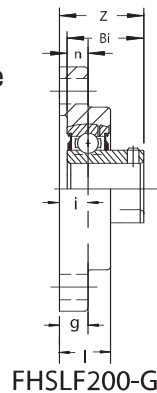
Flange Units - Light Duty 2 Bolt

FHSLF200-G / FHLF200-G Series



- Light duty, high-grade cast iron
- Ideal for applications with limited mounting space
- Narrow inner ring bearing
- Relubricatable unit (shown)
- Non-relubricatable unit available (omit "G" from unit part number)
- Standard seal: RST tight riding, full cover, metal shroud seals

Optional seals: See page 85



FHSLF200-G Set Screw Locking

Dimensions in mm														
Unit No.	Shaft Diam.	a	e	i	g	l	s	b	Z	Bi	n	Bolt Size In.	Bearing No.	Housing No.
FHSLF201 -8G FHSLF201 -12mmG FHSLF202 -9G FHSLF202 -10G FHSLF202 -15mmG FHSLF203 -11G FHSLF203 -17mmG	1/2 12mm 9/16 5/8 15mm 11/16 17mm	3 3/16 81.0	2 1/2 63.5	.375 9.50	3/8 9.5	23/32 18.3	5/16 7.9	2 7/32 56.4	1.00 25.5	0.886 22.50	0.256 6.50	1/4	FHS201 -8G FHS201 -12mmG FHS202 -9G FHS202 -10G FHS202 -15mmG FHS203 -11G FHS203 -17mmG	LF-203-H
FHSLF204 -12G FHSLF204 -13G FHSLF204 -20mmG	3/4 13/16 20mm	3 17/32 89.7	2 13/16 71.4	.438 11.10	7/16 11.1	25/32 19.8	25/64 10.0	2 13/32 61.1	1.13 28.6	0.984 25.00	0.295 7.50	5/16	FHS204 -12G FHS204 -13G FHS204 -20mmG	LF-204-H
FHSLF205 -12G FHSLF205 -13G FHSLF205 -14G FHSLF205 -15G FHSLF205 -16G FHSLF205 -25mmG	3/4 13/16 7/8 15/16 1 25mm	3 3/4 95.3	2 63/64 75.8	.438 11.10	7/16 11.1	25/32 19.8	25/64 10.0	2 17/32 64.3	1.20 30.6	1.063 27.00	0.295 7.50	5/16	FHS205 -12G FHS205 -13G FHS205 -14G FHS205 -15G FHS205 -16G FHS205 -25mmG	LF-205-H
FHSLF206 -17G FHSLF206 -18G FHSLF206 -19G FHSLF206 -20G FHSLF206 -30mmG	1 1/16 1 1/8 1 3/16 1 1/4(s) 30mm	4 7/16 112.7	3 9/16 90.5	.469 11.90	15/32 11.9	7/8 22.2	15/32 11.9	3 76.2	1.30 32.9	1.181 30.00	0.354 9.00	3/8	FHS206 -17G FHS206 -18G FHS206 -19G FHS206 -20G FHS206 -30mmG	LF-206-H
FHSLF207 -20G FHSLF207 -21G FHSLF207 -22G FHSLF207 -23G FHSLF207 -35mmG	1 1/4 1 5/16 1 3/8 1 7/16 35mm	4 13/16 122.2	3 15/16 100.0	.516 13.10	33/64 13.1	15/16 23.8	15/32 11.9	3 1/2 88.9	1.40 35.6	1.260 32.00	0.374 9.50	3/8	FHS207 -20G FHS207 -21G FHS207 -22G FHS207 -23G FHS207 -35mmG	LF-207-H

Standard Mounted Units

FHLF200-G Eccentric Locking Collar

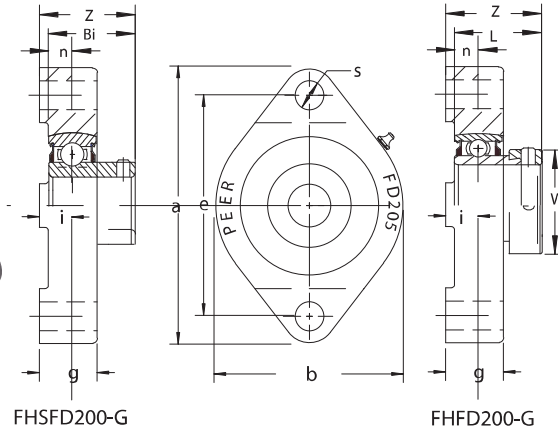
Dimensions in mm															
Unit No.	Shaft Diam.	a	e	i	g	l	s	b	Z	L	n	W	Bolt Size In.	Bearing No.	Housing No.
FHLF201 -8G FHLF201 -12mmG FHLF202 -9G FHLF202 -10G FHLF202 -15mmG FHLF203 -11G FHLF203 -17mmG	1/2 12mm 9/16 5/8 15mm 11/16 17mm	3 3/16 81.0	2 1/2 63.5	.375 9.50	3/8 9.5	23/32 18.3	5/16 7.9	2 7/32 56.4	1.24 31.6	1.126 28.60	0.256 6.50	1.13 28.60	1/4	FH201 -8G FH201 -12mmG FH202 -9G FH202 -10G FH202 -15mmG FH203 -11G FH203 -17mmG	LF-203-H
FHLF204 -12G FHLF204 -20mmG	3/4 20mm	3 17/32 89.7	2 13/16 71.4	.438 11.10	7/16 11.1	25/32 19.8	25/64 10.0	2 13/32 61.1	1.36 34.6	1.220 31.00	0.295 7.50	1.26 32.00	5/16	FH204 -12G FH204 -20mmG	LF-204-H
FHLF205 -13G FHLF205 -14G FHLF205 -15G FHLF205 -16G FHLF205 -25mmG	13/16 7/8 15/16 1 25mm	3 3/4 95.3	2 63/64 75.8	.438 11.10	7/16 11.1	25/32 19.8	25/64 10.0	2 17/32 64.3	1.36 34.6	1.220 31.00	0.295 7.50	1.50 38.10	5/16	FH205 -13G FH205 -14G FH205 -15G FH205 -16G FH205 -25mmG	LF-205-H
FHLF206 -17G FHLF206 -18G FHLF206 -19G FHLF206 -20G FHLF206 -30mmG	1 1/16 1 1/8 1 3/16 1 1/4(s) 30mm	4 7/16 112.7	3 9/16 90.5	.469 11.90	15/32 11.9	7/8 22.2	15/32 11.9	3 76.2	1.52 38.6	1.406 35.70	0.354 9.00	1.75 44.50	3/8	FH206 -17G FH206 -18G FH206 -19G FH206 -20G FH206 -30mmG	LF-206-H
FHLF207 -20G FHLF207 -21G FHLF207 -22G FHLF207 -23G FHLF207 -35mmG	1 1/4 1 5/16 1 3/8 1 7/16 35mm	4 13/16 122.2	3 15/16 100.0	.516 13.10	33/64 13.1	15/16 23.8	15/32 11.9	3 1/2 88.9	1.67 42.5	1.531 38.90	0.374 9.50	2.19 55.60	3/8	FH207 -20G FH207 -21G FH207 -22G FH207 -23G FH207 -35mmG	LF-207-H

Bolt hole diameter ('s' dimension) can be drilled to your specifications



Flange Units – Light Duty 2 Bolt

FHSFD200-G / FHFD200-G Series



- Light duty, high-grade cast iron
- Ideal for applications with limited mounting space
- Narrow inner ring bearing
- Relubricatable unit (shown)
- Non-relubricatable unit available (omit "G" from unit part number)
- Standard seal: RST tight riding, full cover, metal shroud seals

Optional seals: See page 85

FHSFD200-G Set Screw Locking

Dimensions <small>in mm</small>													
Unit No.	Shaft Diam.	a	e	i	g	s	b	Z	Bi	n	Bolt Size In.	Bearing No.	Housing No.
FHSFD201 -8G	1/2												
FHSFD201 -12mmG	12mm											FHS201 -8G	
FHSFD202 -9G	9/16											FHS201 -12mmG	
FHSFD202 -10G	5/8	3 3/16	2 15/32	.328	19/32	9/32	2 5/16	0.96	0.886	0.256	1/4	FHS202 -9G	FD-203-H
FHSFD202 -15mmG	15mm	81.0	62.7	8.30	15.1	7.1	58.7	24.3	22.50	6.50		FHS202 -10G	
FHSFD203 -11G	11/16											FHS202 -15mmG	
FHSFD203 -17mmG	17mm											FHS203 -11G	
FHSFD204 -12G	3/4											FHS203 -17mmG	
FHSFD204 -13G	13/16	3 17/32	2 25/32	.375	21/32	25/64	2 3/4	1.06	0.984	0.295	5/16	FHS204 -12G	FD-204-H
FHSFD204 -20mmG	20mm	89.7	70.6	9.50	16.7	10.0	69.7	27.0	25.00	7.50		FHS204 -13G	
FHSFD205 -12G	3/4											FHS204 -20mmG	
FHSFD205 -13G	13/16											FHS205 -12G	
FHSFD205 -14G	7/8	3 3/4	3	.375	21/32	25/64	2 25/32	1.14	1.063	0.295	5/16	FHS205 -13G	FD-205-H
FHSFD205 -15G	15/16	95.3	76.2	9.50	16.7	10.0	70.6	29.0	27.00	7.50		FHS205 -14G	
FHSFD205 -16G	1											FHS205 -15G	
FHSFD205 -25mmG	25mm											FHS205 -16G	
FHSFD206 -17G	1 1/16											FHS205 -25mmG	
FHSFD206 -18G	1 1/8											FHS206 -17G	
FHSFD206 -19G	1 3/16	4 7/16	3 17/32	.469	13/16	15/32	3 5/16	1.30	1.181	0.354	3/8	FHS206 -18G	FD-206-H
FHSFD206 -20G	1 1/4(s)	112.7	89.7	11.90	20.6	11.9	84.1	32.9	30.00	9.00		FHS206 -19G	
FHSFD206 -30mmG	30mm											FHS206 -20G	
FHSFD207 -20G	1 1/4											FHS206 -30mmG	
FHSFD207 -21G	1 5/16											FHS207 -20G	
FHSFD207 -22G	1 3/8	4 29/32	3 15/16	.484	7/8	15/32	3 11/16	1.37	1.260	0.374	3/8	FHS207 -21G	FD-207-H
FHSFD207 -23G	1 7/16	124.6	100.0	12.30	22.2	11.9	93.7	34.8	32.00	9.50		FHS207 -22G	
FHSFD207 -35mmG	35mm											FHS207 -23G	

FHFD200-G Eccentric Locking Collar

Dimensions <small>in mm</small>														
Unit No.	Shaft Diam.	a	e	i	g	s	b	Z	L	n	W	Bolt Size In.	Bearing No.	Housing No.
FHFD201 -8G	1/2													
FHFD201 -12mmG	12mm												FH201 -8G	
FHFD202 -9G	9/16												FH201 -12mmG	
FHFD202 -10G	5/8	3 3/16	2 15/32	.328	19/32	9/32	2 5/16	1.20	1.126	0.256	1.13	1/4	FH202 -9G	FD-203-H
FHFD202 -15mmG	15mm	81.0	62.7	8.30	15.1	7.1	58.7	30.4	28.60	6.50	28.60		FH202 -10G	
FHFD203 -11G	11/16												FH202 -15mmG	
FHFD203 -17mmG	17mm												FH203 -11G	
FHFD204 -12G	3/4												FH203 -17mmG	
FHFD204 -20mmG	20mm	3 17/32	2 25/32	.375	21/32	25/64	2 3/4	1.30	1.220	0.295	1.26	5/16	FH204 -12G	FD-204-H
FHFD205 -13G	13/16												FH204 -20mmG	
FHFD205 -14G	7/8	3 3/4	3	.375	21/32	25/64	2 25/32	1.30	1.220	0.295	1.50	5/16	FH205 -13G	FD-205-H
FHFD205 -15G	15/16	95.3	76.2	9.50	16.7	10.0	70.6	33.0	31.00	7.50	38.10		FH205 -14G	
FHFD205 -16G	1												FH205 -15G	
FHFD205 -25mmG	25mm												FH205 -16G	
FHFD206 -17G	1 1/16												FH205 -25mmG	
FHFD206 -18G	1 1/8												FH206 -17G	
FHFD206 -19G	1 3/16	4 7/16	3 17/32	.469	13/16	15/32	3 5/16	1.52	1.406	0.354	1.75	3/8	FH206 -18G	FD-206-H
FHFD206 -20G	1 1/4(s)	112.7	89.7	11.90	20.6	11.9	84.1	38.6	35.70	9.00	44.50		FH206 -19G	
FHFD206 -30mmG	30mm												FH206 -20G	
FHFD207 -20G	1 1/4												FH206 -30mmG	
FHFD207 -21G	1 5/16												FH207 -20G	
FHFD207 -22G	1 3/8	4 29/32	3 15/16	.484	7/8	15/32	3 11/16	1.64	1.531	0.374	2.19	3/8	FH207 -21G	FD-207-H
FHFD207 -23G	1 7/16	124.6	100.0	12.30	22.2	11.9	93.7	41.7	38.90	9.50	55.60		FH207 -22G	
FHFD207 -35mmG	35mm												FH207 -23G	

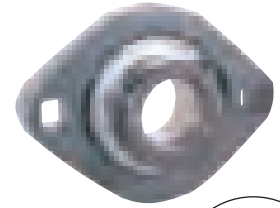
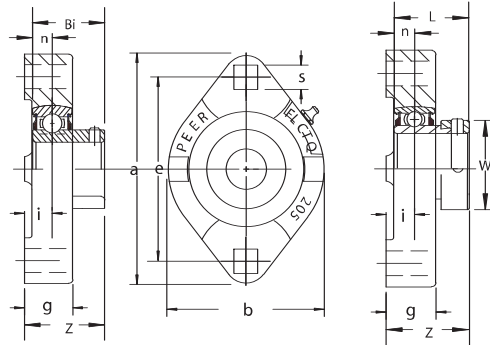
Bolt hole diameter ('s' dimension) can be drilled to your specifications

Flange Units - Ductile Flush 2 Bolt

FHSFLCTQ200-G / FHFLCTQ200-G Series



- Standard duty, high strength ductile iron
- Narrow inner ring bearing
- Relubricatable unit (shown)
- Non-relubricatable unit available (omit "G" from unit part number)
- Standard seal: RST tight riding, full cover, metal shroud seals



Optional seals: See page 85

FHSFLCTQ200-G Set Screw Locking

FHSFLCTQ200-G

FHFLCTQ200-G

Dimensions <small>in mm</small>													
Unit No.	Shaft Diam.	a	e	b	S1 Square	g	i	Z	Bi	n	Bolt Size In.	Bearing No.	Housing No.
FHSFLCTQ201 -8G FHSFLCTQ201 -12mmG FHSFLCTQ202 -9G FHSFLCTQ202 -10G FHSFLCTQ202 -15mmG FHSFLCTQ203 -11G FHSFLCTQ203 -17mmG	1/2 12mm 9/16 5/8 15mm 11/16 17mm	3 3/16 81.0	2 1/2 63.5	2 5/16 58.7	9/32 7.1	37/64 14.7	19/64 7.5	0.93 23.5	0.886 22.50	0.256 6.50	1/4	FHS201 -8G FHS201 -12mmG FHS202 -9G FHS202 -10G FHS202 -15mmG FHS203 -11G FHS203 -17mmG	FLCTQ-203-H
FHSFLCTQ204 -12G FHSFLCTQ204 -13G FHSFLCTQ204 -20mmG	3/4 13/16 20mm	3 9/16 90.5	2 13/16 71.4	2 5/8 66.7	3/8 9.5	43/64 17.1	21/64 8.3	1.02 25.8	0.984 25.00	0.295 7.50	5/16	FHS204 -12G FHS204 -13G FHS204 -20mmG	FLCTQ-204-H
FHSFLCTQ205 -12G FHSFLCTQ205 -13G FHSFLCTQ205 -14G FHSFLCTQ205 -15G FHSFLCTQ205 -16G FHSFLCTQ205 -25mmG	3/4 13/16 7/8 15/16 1 25mm	3 3/4 95.3	3 76.2	2 51/64 71.0	3/8 9.5	11/16 17.5	11/32 8.7	1.11 28.2	1.063 27.00	0.295 7.50	5/16	FHS205 -12G FHS205 -13G FHS205 -14G FHS205 -15G FHS205 -16G FHS205 -25mmG	FLCTQ-205-H
FHSFLCTQ206 -17G FHSFLCTQ206 -18G FHSFLCTQ206 -19G FHSFLCTQ206 -20G FHSFLCTQ206 -30mmG	1 1/16 1 1/8 1 3/16 1 1/4(s) 30mm	4 7/16 112.7	3 9/16 90.5	3 5/16 84.1	7/16 11.1	13/16 20.6	13/32 10.3	1.23 31.3	1.181 30.00	0.354 9.00	3/8	FHS206 -17G FHS206 -18G FHS206 -19G FHS206 -20G FHS206 -30mmG	FLCTQ-206-H
FHSFLCTQ207 -20G FHSFLCTQ207 -21G FHSFLCTQ207 -22G FHSFLCTQ207 -23G FHSFLCTQ207 -35mmG	1 1/4 1 5/16 1 3/8 1 7/16 35mm	4 15/16 125.4	3 15/16 100.0	3 11/16 93.7	7/16 11.1	7/8 22.2	7/16 11.1	1.32 33.6	1.260 32.00	0.374 9.50	3/8	FHS207 -20G FHS207 -21G FHS207 -22G FHS207 -23G FHS207 -35mmG	FLCTQ-207-H

Standard Mounted Units

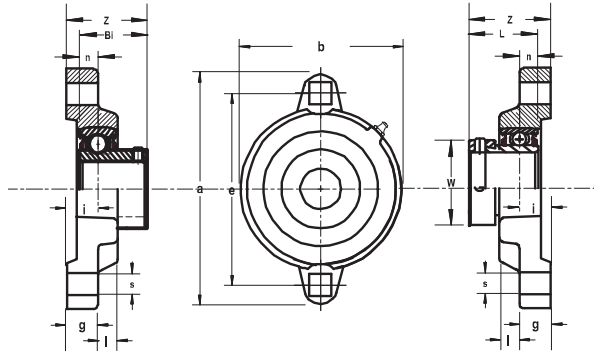
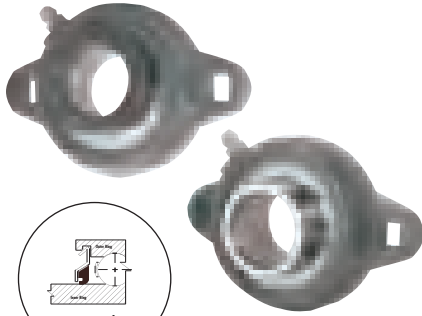
FHFLCTQ200-G Eccentric Locking Collar

Dimensions <small>in mm</small>														
Unit No.	Shaft Diam.	a	e	b	S Square	g	i	Z	L	n	W	Bolt Size In.	Bearing No.	Housing No.
FHFLCTQ201 -8G FHFLCTQ201 -12mmG FHFLCTQ202 -9G FHFLCTQ202 -10G FHFLCTQ202 -15mmG FHFLCTQ203 -11G FHFLCTQ203 -17mmG	1/2 12mm 9/16 5/8 15mm 11/16 17mm	3 3/16 81.0	2 1/2 63.5	2 5/16 58.7	9/32 7.1	37/64 14.7	19/64 7.5	1.17 29.6	1.126 28.60	0.256 6.50	1.13 28.60	1/4	FH201 -8G FH201 -12mmG FH202 -9G FH202 -10G FH202 -15mmG FH203 -11G FH203 -17mmG	FLCTQ-203-H
FHFLCTQ204 -12G FHFLCTQ204 -20mmG	3/4 20mm	3 9/16 90.5	2 13/16 71.4	2 5/8 66.7	3/8 9.5	43/64 17.1	21/64 8.3	1.25 31.8	1.220 31.00	0.259 7.50	1.26 32.00	5/16	FH204 -12G FH204 -20mmG	FLCTQ-204-H
FHFLCTQ205 -13G FHFLCTQ205 -14G FHFLCTQ205 -15G FHFLCTQ205 -16G FHFLCTQ205 -25mmG	13/16 7/8 15/16 1 25mm	3 3/4 95.3	3 76.2	2 51/64 71.0	3/8 9.5	11/16 17.5	11/32 8.7	1.27 32.2	1.220 31.00	0.259 7.50	1.50 38.10	5/16	FH205 -13G FH205 -14G FH205 -15G FH205 -16G FH205 -25mmG	FLCTQ-205-H
FHFLCTQ206 -17G FHFLCTQ206 -18G FHFLCTQ206 -19G FHFLCTQ206 -20G FHFLCTQ206 -30mmG	1 1/16 1 1/8 1 3/16 1 1/4(s) 30mm	4 7/16 112.7	3 9/16 90.5	3 5/16 84.1	7/16 11.1	13/16 20.6	13/32 10.3	1.46 37.0	1.406 35.70	0.354 9.00	1.75 44.50	3/8	FH206 -17G FH206 -18G FH206 -19G FH206 -20G FH206 -30mmG	FLCTQ-206-H
FHFLCTQ207 -20G FHFLCTQ207 -21G FHFLCTQ207 -22G FHFLCTQ207 -23G FHFLCTQ207 -35mmG	1 1/4 1 5/16 1 3/8 1 7/16 35mm	4 15/16 125.4	3 15/16 100.0	3 11/16 93.7	7/16 11.1	7/8 22.2	7/16 11.1	1.59 40.5	1.531 38.90	0.374 9.50	2.19 55.60	3/8	FH207 -20G FH207 -21G FH207 -22G FH207 -23G FH207 -35mmG	FLCTQ-207-H



Flange Units – Ductile 2 Bolt

FHSFX200-G / FHFX200-G Series



- Standard duty, high strength ductile iron
- Narrow inner ring bearing
- Relubricatable unit (shown)
- Non-relubricatable unit available (omit "G" from unit part number)
- Standard seal: RST tight riding, full cover, metal shroud seals

Optional seals: See page 85

FHSFX200-G Set Screw Locking

FHSFX200-G

FHFX200-G

Dimensions ⁱⁿ / _{mm}														
Unit No.	Shaft Diam.	a	e	i	g	l	s	b	Z	Bi	n	Bolt Size In.	Bearing No.	Housing No.
FHSFX201 -8G	1/2												FHS201 -8G	
FHSFX201 -12mmG	12mm												FHS201 -12mmG	
FHSFX202 -9G	9/16	3 3/16	2 1/2	.358	3/8	5/16	9/32	1 15/16	0.99	0.886	0.256	1/4	FHS202 -9G	FX-203-H
FHSFX202 -10G	5/8	81.0	63.5	9.10	9.5	7.9	7.1	49.21	25.1	22.50	6.50		FHS202 -10G	
FHSFX202 -15mmG	15mm												FHS202 -15mmG	
FHSFX203 -11G	11/16												FHS203 -11G	
FHSFX203 -17mmG	17mm												FHS203 -17mmG	
FHSFX204 -12G	3/4	3 9/16	2 13/16	.437	7/16	11/32	11/32	2 1/4	1.13	0.984	0.295	5/16	FHS204 -12G	FX-204-H
FHSFX204 -13G	13/16	90.5	71.4	11.10	11.1	8.7	8.7	57.2	28.6	25.00	7.50		FHS204 -13G	
FHSFX204 -20mmG	20mm												FHS204 -20mmG	
FHSFX205 -12G	3/4												FHS205 -12G	
FHSFX205 -13G	13/16												FHS205 -13G	
FHSFX205 -14G	7/8	3 3/4	3	.437	7/16	25/64	11/32	2 1/2	1.20	1.063	0.295	5/16	FHS205 -14G	FX-205-H
FHSFX205 -15G	15/16	95.3	76.2	11.10	11.1	9.9	8.7	63.5	30.6	27.00	7.50		FHS205 -15G	
FHSFX205 -16G	1												FHS205 -16G	
FHSFX205 -25mmG	25mm												FHS205 -25mmG	
FHSFX206 -17G	1 1/16												FHS206 -17G	
FHSFX206 -18G	1 1/8	4 7/16	3 9/16	.476	15/32	27/64	13/32	3 3/32	1.30	1.181	0.354	3/8	FHS206 -18G	FX-206-H
FHSFX206 -19G	1 3/16	112.7	90.5	12.10	11.9	10.7	10.3	78.6	33.1	30.00	9.00		FHS206 -19G	
FHSFX206 -20G	1 1/4(s)												FHS206 -20G	
FHSFX206 -30mmG	30mm												FHS206 -30mmG	
FHSFX207 -20G	1 1/4												FHS207 -20G	
FHSFX207 -21G	1 5/16	4 13/16	3 15/16	.500	1/2	7/16	13/32	3 1/3	1.39	1.260	0.374	3/8	FHS207 -21G	FX-207-H
FHSFX207 -22G	1 3/8	122.2	100.0	12.7	12.7	11.1	10.3	84.7	35.2	32.00	9.50		FHS207 -22G	
FHSFX207 -23G	1 7/16												FHS207 -23G	
FHSFX207 -35mmG	35mm												FHS207 -35mmG	

FHFX200-G Eccentric Locking Collar

Dimensions ⁱⁿ / _{mm}															
Unit No.	Shaft Diam.	a	e	i	g	l	s	b	Z	L	n	W	Bolt Size In.	Bearing No.	Housing No.
FHFX201 -8G	1/2													FH201 -8G	
FHFX201 -12mmG	12mm													FH201 -12mmG	
FHFX202 -9G	9/16	3 3/16	2 1/2	.358	3/8	5/16	9/32	1 15/16	1.23	1.126	0.256	1.13	1/4	FH202 -9G	FX-203-H
FHFX202 -10G	5/8	81.0	63.5	9.10	9.5	7.9	7.1	49.21	31.2	28.60	6.50	28.60		FH202 -10G	
FHFX202 -15mmG	15mm													FH202 -15mmG	
FHFX203 -11G	11/16													FH203 -11G	
FHFX203 -17mmG	17mm													FH203 -17mmG	
FHFX204 -12G	3/4	3 9/16	2 13/16	.437	7/16	11/32	11/32	2 1/4	1.36	1.220	0.295	1.26	5/16	FH204 -12G	FX-204-H
FHFX204 -20mmG	20mm	90.5	71.4	11.10	11.1	8.7	8.7	57.2	34.6	31.00	7.50	32.00		FH204 -20mmG	
FHFX205 -13G	13/16													FH205 -13G	
FHFX205 -14G	7/8	3 3/4	3	.437	7/16	25/64	11/32	2 1/2	1.36	1.220	0.295	1.50	5/16	FH205 -14G	FX-205-H
FHFX205 -15G	15/16	95.3	76.2	11.10	11.1	9.9	8.7	63.5	34.6	31.00	7.50	38.10		FH205 -15G	
FHFX205 -16G	1													FH205 -16G	
FHFX205 -25mmG	25mm													FH205 -25mmG	
FHFX206 -17G	1 1/16													FH206 -17G	
FHFX206 -18G	1 1/8	4 7/16	3 9/16	.476	15/32	27/64	13/32	3 3/32	1.53	1.406	0.354	1.75	3/8	FH206 -18G	FX-206-H
FHFX206 -19G	1 3/16	112.7	90.5	12.10	11.9	10.7	10.3	78.6	38.8	35.70	9.00	44.50		FH206 -19G	
FHFX206 -20G	1 1/4(s)													FH206 -20G	
FHFX206 -30mmG	30mm													FH206 -30mmG	
FHFX207 -20G	1 1/4													FH207 -20G	
FHFX207 -21G	1 5/16	4 13/16	3 15/16	.500	1/2	7/16	13/32	3 1/3	1.66	1.531	0.374	2.19	3/8	FH207 -21G	FX-207-H
FHFX207 -22G	1 3/8	122.2	100.0	12.7	12.7	11.1	10.3	84.7	42.1	38.90	9.50	55.60		FH207 -22G	
FHFX207 -23G	1 7/16													FH207 -23G	
FHFX207 -35mmG	35mm													FH207 -35mmG	

For reverse mounting, add suffix "REV" after unit number Example: FHSFX205-16G-REV

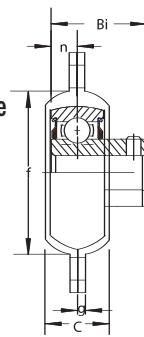
Flange Units – Pressed Steel 2 Bolt

FHSPFLZ200 / FHPFLZ200 Series

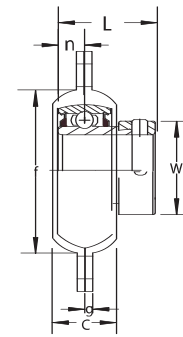
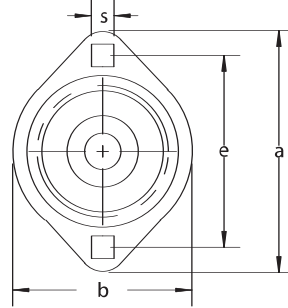


- Two light duty, self-aligning pressed steel housings
- Zinc plated stamped steel (shown)
- Non-plated, raw stamped steel available (FHSPFLR/FHPFLR Series)
- Narrow inner ring bearing
- Standard seal: RST tight riding, full cover, metal shroud seals

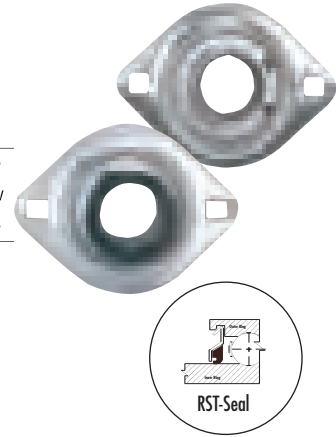
Optional seals: See page 85



FHSPFLZ200



FHPFLZ200



FHSPFLZ200 Set Screw Locking

Unit No.	Shaft Diam.	Dimensions in mm									Bolt Size In.	Bearing No.	Housing No.
		a	e	g	c	s	b	f	Bi	n			
FHSPFLZ201 -8 FHSPFLZ201 -12mm FHSPFLZ202 -9 FHSPFLZ202 -10 FHSPFLZ202 -15mm FHSPFLZ203 -11 FHSPFLZ203 -17mm	1/2 12mm 9/16 5/8 15mm 11/16 17mm	3 3/16 81	2 1/2 64	.065 1.7	9/16 14	9/32 7	2 15/16 59	1 15/16 49	0.886 22.50	0.256 6.50	1/4	FHS201 -8 FHS201 -12mm FHS202 -9 FHS202 -10 FHS202 -15mm FHS203 -11 FHS203 -17mm	PFL-3Z
FHSPFLZ204 -12 FHSPFLZ204 -13 FHSPFLZ204 -20mm	3/4 13/16 20mm	3 9/16 90	2 13/16 71	.083 2.1	5/8 16	11/32 9	2 5/8 67	2 3/16 56	0.984 25.00	0.295 7.50	5/16	FHS204 -12 FHS204 -13 FHS204 -20mm	PFL-4Z
FHSPFLZ205 -12 FHSPFLZ205 -13 FHSPFLZ205 -14 FHSPFLZ205 -15 FHSPFLZ205 -16 FHSPFLZ205 -25mm	3/4 13/16 7/8 15/16 1 25mm	3 3/4 95	3 76	.083 2.1	11/16 17	11/32 9	2 51/64 71	2 3/8 60	1.063 27.00	0.295 7.50	5/16	FHS205 -12 FHS205 -13 FHS205 -14 FHS205 -15 FHS205 -16 FHS205 -25mm	PFL-5Z
FHSPFLZ206 -17 FHSPFLZ206 -18 FHSPFLZ206 -19 FHSPFLZ206 -20 FHSPFLZ206 -30mm	1 1/16 1 1/8 1 3/16 1 1/4(s) 30mm	4 7/16 113	3 9/16 90	.104 2.6	11/16 17	13/32 10	3 5/16 84	2 13/16 71	1.181 30.00	0.354 9.00	3/8	FHS206 -17 FHS206 -18 FHS206 -19 FHS206 -20 FHS206 -30mm	PFL-6Z
FHSPFLZ207 -20 FHSPFLZ207 -21 FHSPFLZ207 -22 FHSPFLZ207 -23 FHSPFLZ207 -35mm	1 1/4 1 5/16 1 3/8 1 7/16 35mm	4 15/16 125	3 15/16 100	.104 2.6	7/8 22	13/32 10	3 11/16 94	3 3/16 81	1.260 32.00	0.374 9.50	3/8	FHS207 -20 FHS207 -21 FHS207 -22 FHS207 -23 FHS207 -35mm	PFL-7Z

Standard Mounted Units

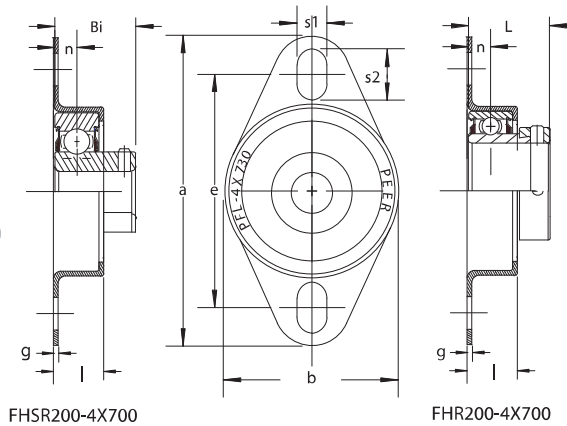
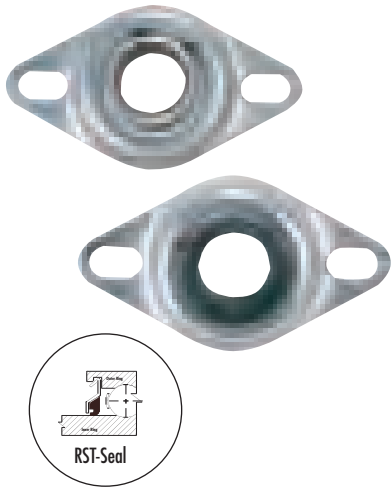
FHPFLZ200 Eccentric Locking Collar

Unit No.	Shaft Diam.	Dimensions in mm									Bolt Size In.	Bearing No.	Housing No.	
		a	e	g	c	s	b	f	L	n				W
FHPFLZ201 -8 FHPFLZ201 -12mm FHPFLZ202 -9 FHPFLZ202 -10 FHPFLZ202 -15mm FHPFLZ203 -11 FHPFLZ203 -17mm	1/2 12mm 9/16 5/8 15mm 11/16 17mm	3 3/16 81	2 1/2 64	.065 1.7	9/16 14	9/32 7	2 15/16 59	1 15/16 49	1.126 28.60	0.256 6.50	1.13 28.60	1/4	FH201 -8 FH201 -12mm FH202 -9 FH202 -10 FH202 -15mm FH203 -11 FH203 -17mm	PFL-3Z
FHPFLZ204 -12 FHPFLZ204 -20mm	3/4 20mm	3 9/16 90	2 13/16 71	.083 2.1	5/8 16	11/32 9	2 5/8 67	2 3/16 56	1.220 31.00	0.295 7.50	1.26 32.00	5/16	FH204 -12 FH204 -20mm	PFL-4Z
FHPFLZ205 -13 FHPFLZ205 -14 FHPFLZ205 -15 FHPFLZ205 -16 FHPFLZ205 -25mm	13/16 7/8 15/16 1 25mm	3 3/4 95	3 76	.083 2.1	11/16 17	11/32 9	2 51/64 71	2 3/8 60	1.220 31.00	0.295 7.50	1.50 38.10	5/16	FH205 -13 FH205 -14 FH205 -15 FH205 -16 FH205 -25mm	PFL-5Z
FHPFLZ206 -17 FHPFLZ206 -18 FHPFLZ206 -19 FHPFLZ206 -20 FHPFLZ206 -30mm	1 1/16 1 1/8 1 3/16 1 1/4(s) 30mm	4 7/16 113	3 9/16 90	.104 2.6	11/16 17	13/32 10	3 5/16 84	2 13/16 71	1.406 35.70	0.354 9.00	1.75 44.50	3/8	FH206 -17 FH206 -18 FH206 -19 FH206 -20 FH206 -30mm	PFL-6Z
FHPFLZ207 -20 FHPFLZ207 -21 FHPFLZ207 -22 FHPFLZ207 -23 FHPFLZ207 -35mm	1 1/4 1 5/16 1 3/8 1 7/16 35mm	4 15/16 125	3 15/16 100	.104 2.6	7/8 22	13/32 10	3 11/16 94	3 3/16 81	1.531 38.90	0.374 9.50	2.19 55.60	3/8	FH207 -20 FH207 -21 FH207 -22 FH207 -23 FH207 -35mm	PFL-7Z

Stamped housings can be made in AISI 304 stainless steel. Combine with stainless steel bearing for maximum corrosion resistance:
Example: SSFHSPFL205-16



Flange Units - Rubber Insulated Pressed Steel 2 Bolt FHSR200-4X700 / FHR200-4X700 Series



- One piece, light duty pressed steel housing
- Conductive rubber bearing liner reduces noise/vibration and static electricity
- Flush mount style ideal in tight mounting areas
- Zinc plated stamped steel
- Narrow inner ring bearing
- Standard seal: RST tight riding, full cover, metal shroud seals

Optional seals: See page 85

FHSR200-4X700 Set Screw Locking

Unit No.	Shaft Diam.	Dimensions <small>in mm</small>							Bearing No.	Rubber Insulator No.	Housing No.
		a	e	b	s1	s2	g	l			
FHSR201 -8-4X728	1/2								FHSR201 -8		
FHSR201 -12m-4X728	12mm								FHSR201 -12mm		
FHSR202 -9-4X728	9/16								FHSR202 -9		
FHSR202 -10-4X728	5/8	4	3	2	.391	.75	.0625	5/8	FHSR202 -10	RUBBER-4X728	PFL-4X728Z
FHSR202 -15m-4X728	15mm	102	76	51	10	19	2	16	FHSR202 -15mm		
FHSR203 -11-4X728	11/16								FHSR203 -11		
FHSR203 -17m-4X728	17mm								FHSR203 -17mm		
FHSR204 -12-4X729	3/4								FHSR204 -12		
FHSR204 13-4X729	13/16	4 1/2	3 3/8	2 1/2	.451	.75	.0625	3/4	FHSR204 -13	RUBBER-4X729	PFL-4X730Z
FHSR204 -20m-4X729	20mm	114	86	64	11	19	2	19	FHSR204 -20mm		
FHSR205 -12-4X730	3/4								FHSR205 -12		
FHSR205 -13-4X730	13/16								FHSR205 -13		
FHSR205 -14-4X730	7/8	4 1/2	3 3/8	2 1/2	.451	.75	.0625	3/4	FHSR205 -14	RUBBER-4X730	PFL-4X730Z
FHSR205 -15-4X730	15/16	114	86	64	11	19	2	19	FHSR205 -15		
FHSR205 -16-4X730	1								FHSR205 -16		
FHSR205 -25m-4X730	25mm								FHSR205 -25mm		

FHR200-4X700 Series Eccentric Locking Collar

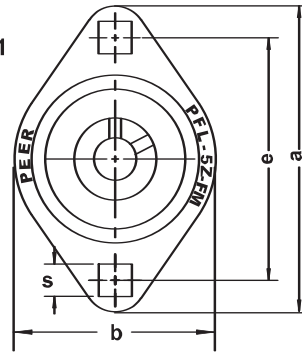
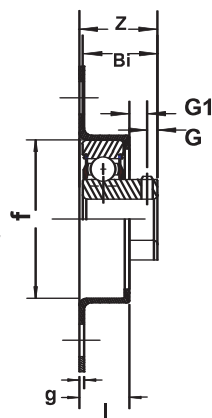
Unit No.	Shaft Diam.	Dimensions <small>in mm</small>							Bearing No.	Rubber Insulator No.	Housing No.
		a	e	b	s1	s2	g	l			
FHR201 -8-4X728	1/2								FHR201 -8		
FHR201 -12m-4X728	12mm								FHR201 -12mm		
FHR202 -9-4X728	9/16								FHR202 -9		
FHR202 -10-4X728	5/8	4	3	2	.391	.75	.0625	5/8	FHR202 -10	RUBBER-4X728	PFL-4X728Z
FHR202 -15m-4X728	15mm	102	76	51	10	19	2	16	FHR202 -15mm		
FHR203 -11-4X728	11/16								FHR203 -11		
FHR203 -17m-4X728	17mm								FHR203 -17mm		
FHR204 -12-4X729	3/4								FHR204 -12		
FHR204 -20m-4X729	20mm	4 1/2	3 3/8	2 1/2	.451	.75	.0625	3/4	FHR204 -20mm	RUBBER-4X729	PFL-4X730Z
FHR205 -13-4X730	13/16								FHR205 -13		
FHR205 -14-4X730	7/8	4 1/2	3 3/8	2 1/2	.451	.75	.0625	3/4	FHR205 -14	RUBBER-4X730	PFL-4X730Z
FHR205 -15-4X730	15/16	114	86	64	11	19	2	19	FHR205 -15		
FHR205 -16-4X730	1								FHR205 -16		
FHR205 -25m-4X730	25mm								FHR205 -25mm		

Flange Units - Pressed Steel 2 Bolt FHSR200-2FM / FHSR200-2NCFM Series

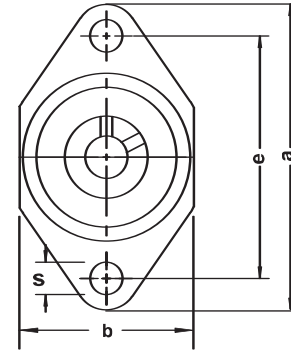


- One piece, light duty pressed steel housing
- Flush mount style ideal in tight mounting areas
- Zinc plated stamped steel
- Narrow inner ring bearing
- Standard seal: RST tight riding, full cover, metal shroud seals

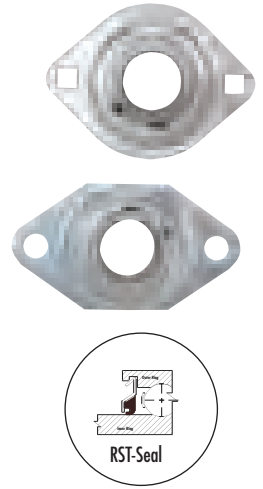
Optional seals: See page 85



FHSR200-2FM



FHSR200-2NCFM



RST-Seal

FHSR200-2FM Set Screw Locking

Unit No.	Shaft Diam.	Dimensions ⁱⁿ / _{mm}											Bolt Size In.	Bearing No.	Housing No.			
		a	e	b	g	s	l	Z	Bi	G1	G	f						
FHSR201 -8-2FM	1/2																	
FHSR201 -12mm-2FM	12mm																	
FHSR202 -9-2FM	9/16																	
FHSR202 -10-2FM	5/8	3 3/16	2 1/2	2 5/16	.074	9/32	.591	0.96	0.89	.172	.197	1.5748	1/4	FHSR201 -8	PFL-3Z-FM			
FHSR202 -15mm-2FM	15mm	80.96	63.5	58.74	1.88	7.14	15.0	24.38	22.50	4.38	5.0	40.0		FHSR201 -12mm				
FHSR202 -11-2FM	11/16													FHSR202 -9				
FHSR203 -17mm-2FM	17mm													FHSR202 -10				
														FHSR202 -15mm				
FHSR204 -12-2FM	3/4													FHSR203 -11	PFL-4Z-FM			
FHSR204 -13-2FM	13/16	3 9/16	2 13/16	2 5/8	.074	11/32	.591	1.06	0.98	.226	.177	1.8504	5/16	FHSR204 -12				
FHSR204 -20mm-2FM	20mm	90.5	71.4	66.7	1.9	8.7	15.0	26.90	25.00	5.7	4.5	47.0		FHSR204 -13				
FHSR205 -12-2FM	3/4													FHSR204 -20mm	PFL-5Z-FM			
FHSR205 -13-2FM	13/16													FHSR205 -12				
FHSR205 -14-2FM	7/8	3 3/4	3	2 51/64	.074	11/32	.682	1.14	1.06	.1922	.1968	2.0472	5/16	FHSR205 -13				
FHSR205 -15-2FM	15/16	95.3	76.2	71.0	1.9	8.7	17.3	28.90	27.00	4.9	5.0	52.0		FHSR205 -14				
FHSR205 -16-2FM	1													FHSR205 -15				
FHSR205 -25mm-2FM	25mm													FHSR205 -16				
FHSR206 -17-2FM	1 1/16													FHSR205 -25mm	PFL-6Z-FM			
FHSR206 -18-2FM	1 1/8	4 7/16	3 9/16	3 1/4	.089	13/32	.709	1.27	1.18	.2779	.285	2.4409	3/8	FHSR206 -17				
FHSR206 -19-2FM	1 3/16	112.7	90.5	82.6	2.3	10.3	18.0	32.30	30.00	7.1	7.24	62.0		FHSR206 -18				
FHSR206 -20-2FM	1 1/4(s)													FHSR206 -19				
FHSR206 -30mm-2FM	30mm													FHSR206 -20				

Standard Mounted Units

FHSR200-2NCFM Set Screw Locking

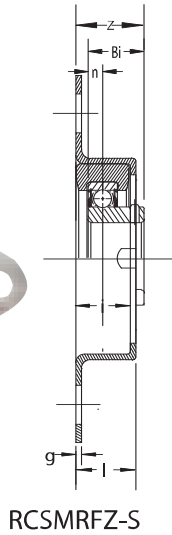
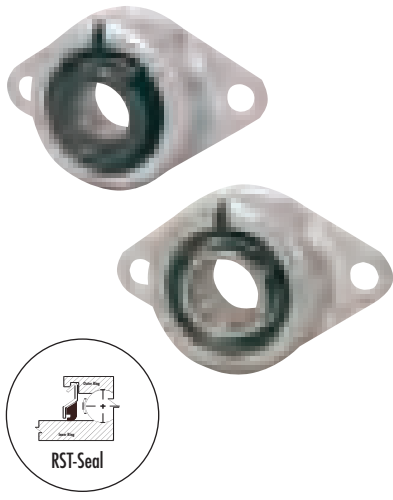
Unit No.	Shaft Diam.	Dimensions ⁱⁿ / _{mm}											Bolt Size In.	Bearing No.	Housing No.		
		a	e	b	g	s	l	Z	Bi	G1	G	f					
FHSR205 -12-2NCFM	3/4																
FHSR205 -13-2NCFM	13/16																
FHSR205 -14-2NCFM	7/8	4 1/8	3 1/4	2 1/4	.062	7/16	.661	1.13	1.06	.2132	.1968	2.0472	3/8	FHSR205 -12	PFL-5Z-NCFM		
FHSR205 -15-2NCFM	15/16	104.8	82.6	57.2	1.6	11.1	16.8	28.60	27.00	4.9	5.0	52.0		FHSR205 -13			
FHSR205 -16-2NCFM	1													FHSR205 -14			
FHSR205 -16-2NCFM	1													FHSR205 -15			
FHSR205 -25m-2NCFM	25mm													FHSR205 -16			

Unit also available in FHR locking collar style bearing:
Example FHR205-16-2FM or FHR205-16-2NCFM

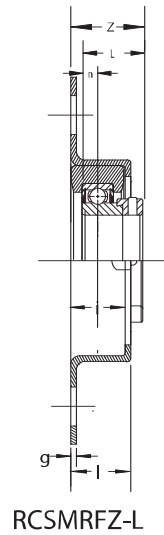
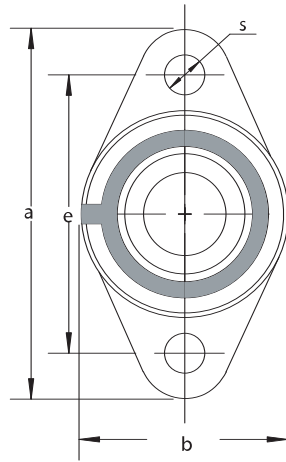


Flange Units – Rubber Insulated Pressed Steel 2 Bolt

RCSMRFZ-S / RCSMRFZ-L Series



RCSMRFZ-S Set Screw Locking



RCSMRFZ-L

- One piece, light duty pressed steel housing
- RSCM conductive rubber liner reduces noise/vibration
- Flush mount style ideal in tight mounting areas
- Zinc plated stamped steel
- Narrow inner ring bearing
- Standard seal: RST tight riding, full cover, metal shroud seals

Optional seals: See page 85

Dimensions ⁱⁿ / _{mm}																
Unit No.	Shaft Diam.	a	e	b1	b	g	i	l	s	Z	Bi	n	Bolt Size In.	Bearing No.	Rubber Insulator No.	Housing No.
RCSMRFZ -8S RCSMRFZ -12mmS RCSMRFZ -9S RCSMRFZ -10S RCSMRFZ -15mmS RCSMRFZ -11S RCSMRFZ -17mmS	1/2 12mm 9/16 5/8 15mm 11/16 17mm	4 1/2 114	3 5/8 92	2 41/64 67	2 45/64 69	.083 2.1	17/32 13	1 1/16 27	7/16 11	1.14 29.00	0.886 22.50	0.256 6.50	3/8	FHSR201 -8 FHSR201 -12mm FHSR202 -9 FHSR202 -10 FHSR202 -15mm FHSR203 -11 FHSR203 -17mm	RCSM-10	RF-5Z
RCSMRFZ -12S RCSMRFZ -13S RCSMRFZ -20mmS	3/4 13/16 20mm	4 1/2 114	3 5/8 92	2 41/64 67	2 45/64 69	.083 2.1	17/32 13	1 1/16 27	7/16 11	1.20 30.50	0.984 25.00	0.295 7.50	3/8	FHSR204 -12 FHSR204 -13 FHSR204 -20mm	RCSM-12	RF-5Z
RCSMRFZ -12S RCSMRFZ -13S RCSMRFZ -14S RCSMRFZ -15S RCSMRFZ -16S RCSMRFZ -25mmS	3/4 13/16 7/8 15/16 1 25mm	4 1/2 114	3 5/8 92	2 41/64 67	2 45/64 69	.083 2.1	17/32 13	1 1/16 27	7/16 11	1.28 32.50	1.063 27.00	0.295 7.50	3/8	FHSR205 -12 FHSR205 -13 FHSR205 -14 FHSR205 -15 FHSR205 -16 FHSR205 -25mm	RCSM-16	RF-5Z
RCSMRFZ -17S RCSMRFZ -18S RCSMRFZ -19S RCSMRFZ -20S RCSMRFZ -30mmS	1 1/16 1 1/8 1 3/16 1 1/4(s) 30mm	5 3/8 137	4 3/8 111	3 1/4 83	3 1/2 89	.083 2.1	41/64 16	1 1/4 32	1/2 13	1.46 37.00	1.181 30.00	0.354 9.00	7/16	FHSR206 -17 FHSR206 -18 FHSR206 -19 FHSR206 -20 FHSR206 -30mm	RCSM-19	RF-6Z

RCSMRFZ-L Eccentric Locking Collar

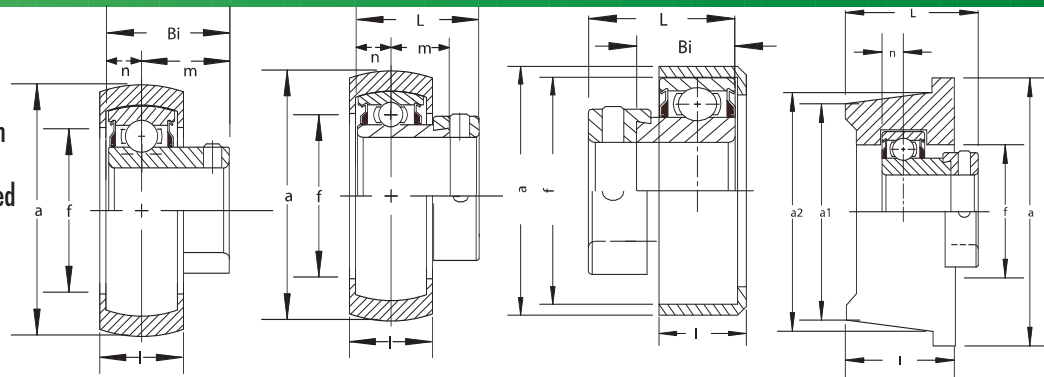
Dimensions ⁱⁿ / _{mm}																
Unit No.	Shaft Diam.	a	e	b1	b	g	i	l	s	Z	L	n	Bolt Size In.	Bearing No.	Rubber Insulator No.	Housing No.
RCSMRFZ -8L RCSMRFZ -12mmL RCSMRFZ -9L RCSMRFZ -10L RCSMRFZ -15mmL RCSMRFZ -11L RCSMRFZ -17mmL	1/2 12mm 9/16 5/8 15mm 11/16 17mm	4 1/2 114	3 5/8 92	2 41/64 67	2 45/64 69	.083 2.1	17/32 13	1 1/16 27	7/16 11	1.38 35.10	1.126 28.60	0.256 6.50	3/8	FHR201 -8 FHR201 -12mm FHR202 -9 FHR202 -10 FHR202 -15mm FHR203 -11 FHR203 -17mm	RCSM-10	RF-5Z
RCSMRFZ -12L RCSMRFZ -20mmL	3/4 20mm	4 1/2 114	3 5/8 92	2 41/64 67	2 45/64 69	.083 2.1	17/32 13	1 1/16 27	7/16 11	1.44 36.50	1.220 31.00	0.295 7.50	3/8	FHR204 -12 FHR204 -20mm	RCSM-12	RF-5Z
RCSMRFZ -13L RCSMRFZ -14L RCSMRFZ -15L RCSMRFZ -16L RCSMRFZ -25mmL	13/16 7/8 15/16 1 25mm	4 1/2 114	3 5/8 92	2 41/64 67	2 45/64 69	.083 2.1	17/32 13	1 1/16 27	7/16 11	1.44 36.50	1.220 31.00	0.295 7.50	3/8	FHR205 -13 FHR205 -14 FHR205 -15 FHR205 -16 FHR205 -25mm	RCSM-16	RF-5Z
RCSMRFZ -17L RCSMRFZ -18L RCSMRFZ -19L RCSMRFZ -20L RCSMRFZ -30mmL	1 1/16 1 1/8 1 3/16 1 1/4(s) 30mm	5 3/8 137	4 3/8 111	3 1/4 83	3 1/2 89	.083 2.1	41/64 16	1 1/4 32	1/2 13	1.68 42.70	1.406 35.70	0.354 9.00	7/16	FHR206 -17 FHR206 -18 FHR206 -19 FHR206 -20 FHR206 -30mm	RCSM-19	RF-6Z
LRCSMRFZ -17L LRCSMRFZ -18L LRCSMRFZ -19L LRCSMRFZ -20L	1 1/16 1 1/8 1 3/16 1 1/4	4 1/2 114	3 5/8 92	2 41/64 67	2 45/64 69	.083 2.1	17/32 13	1 1/16 27	7/16 11	0.83 21.00	1.031 26.20	0.256 6.50	3/8	FHRL6006 -17 FHRL6006 -18 FHRL6006 -19 FHRL6006 -20	LRCSM-19	RF-5Z

Rubber Interliner & Rubber Cartridge Units

FHSBR200 / FHBR200 & LCR/LRCR/RCR Series



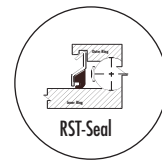
- Conductive rubber interliner
- Used to dissipate static and reduce noise/vibration
- FHSBR/ FHBR commonly assembled in pressed steel housings
- LCR/LRCR/RCR are cylindrically formed and used in many HVAC applications
- Narrow inner ring bearing
- Standard seal: RST tight riding, full cover, metal shroud seals



Optional seals: See page 85

FHSBR Set Screw Locking

Dimensions in mm									
Unit No.	Shaft Diam.	a	f	l	Bi	n	m	Bearing No.	Rubber Insulator No.
FHSBR201 -8	1/2							FHS201 -8	RUBBER-4
FHSBR201 -12mm	12mm							FHS201 -12mm	
FHSBR202 -9	9/16	1.865	1 3/8	11/16	0.886	0.256	0.63	FHS202 -9	
FHSBR202 -10	5/8	47.37	34.9	17.5	22.50	6.50	16.00	FHS202 -10	
FHSBR202 -15mm	15mm							FHS202 -15mm	
FHSBR203 -11	11/16							FHS203 -11	RUBBER-5
FHSBR203 -17mm	17mm							FHS203 -17mm	
FHSBR204 -12	3/4	2.062	1 5/8	11/16	0.984	0.295	0.69	FHS204 -12	
FHSBR204 -13	13/16	52.37	41.3	17.5	25.00	7.50	17.50	FHS204 -13	
FHSBR204 -20mm	20mm							FHS204 -20mm	
FHSBR205 -12	3/4							FHS205 -12	RUBBER-6
FHSBR205 -13	13/16							FHS205 -13	
FHSBR205 -14	7/8	2.456	1 27/32	13/16	1.063	0.295	0.77	FHS205 -14	
FHSBR205 -15	15/16	62.38	46.8	20.6	27.00	7.50	19.50	FHS205 -15	
FHSBR205 -16	1							FHS205 -16	
FHSBR205 -25mm	25mm							FHS205 -25mm	
FHSBR206 -17	1 1/16							FHS206 -17	RUBBER-7
FHSBR206 -18	1 1/8							FHS206 -18	
FHSBR206 -19	1 3/16	2.848	2.436	27/32	1.181	0.354	0.83	FHS206 -19	
FHSBR206 -20	1 1/4(s)	72.34	61.9	21.4	30.00	9.00	21.00	FHS206 -20	
FHSBR206 -30mm	30mm							FHS206 -30mm	



Standard Mounted Units



FHBR Eccentric Locking Collar

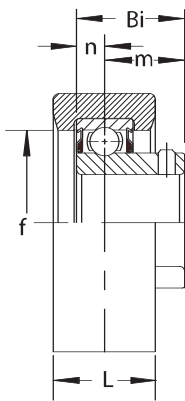
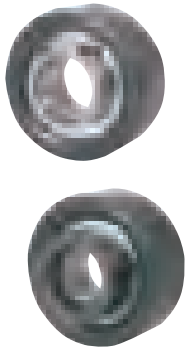
Dimensions in mm									
Unit No.	Shaft Diam.	a	f	l	L	n	m	Bearing No.	Rubber Insulator No.
FHBR201 -8	1/2							FH201 -8	RUBBER-4
FHBR201 -12mm	12mm							FH201 -12mm	
FHBR202 -9	9/16	1.865	1 3/8	11/16	1.126	0.256	0.49	FH202 -9	
FHBR202 -10	5/8	47.37	34.9	17.5	28.60	6.50	12.55	FH202 -10	
FHBR202 -15mm	15mm							FH202 -15mm	
FHBR203 -11	11/16							FH203 -11	RUBBER-5
FHBR203 -17mm	17mm							FH203 -17mm	
FHBR204 -12	3/4	2.062	1 5/8	11/16	1.220	0.295	0.55	FH204 -12	
FHBR204 -20mm	20mm	52.37	41.3	17.5	31.00	7.50	13.91	FH204 -20mm	
FHBR205 -13	13/16							FH205 -13	
FHBR205 -14	7/8	2.456	1 27/32	13/16	1.220	0.295	0.55	FH205 -14	RUBBER-6
FHBR205 -15	15/16	62.38	46.8	20.6	31.00	7.50	14.00	FH205 -15	
FHBR205 -16	1							FH205 -16	
FHBR205 -25mm	25mm							FH205 -25mm	
FHBR206 -17	1 1/16							FH206 -17	
FHBR206 -18	1 1/8							FH206 -18	RUBBER-7
FHBR206 -19	1 3/16	2.848	2.436	27/32	1.406	0.354	0.58	FH206 -19	
FHBR206 -20	1 1/4(s)	72.34	61.9	21.4	35.70	9.00	14.82	FH206 -20	
FHBR206 -30mm	30mm							FH206 -30mm	

LCR/LRCR/RCR Eccentric Locking Collar

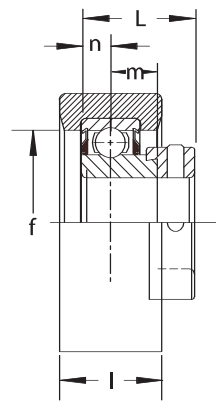
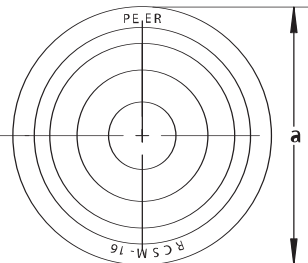
Dimensions in mm										
Unit No.	Shaft Diam.	a	a1	a2	f	l	L	n	Bearing No.	Rubber Insulator No.
LCR -13L	13/16								FHRL6005 -13	LCR-16
LCR -14L	7/8	3.44	3.22	3.28	1.850	990	1.00	0.236	FHRL6005 -14	
LCR -15L	15/16	87.38	81.8	83.3	47.0	25.1	25.40	6.00	FHRL6005 -15	
LCR -16L	1								FHRL6005 -16	
LRCR -12L	3/4	1.8125			1.375	7180	0.97	0.236	FHRL6004 -12	LRCR-12
RCR -13L	13/16								FHR205 -13	RCR-16
RCR -14L	7/8								FHR205 -14	
RCR -15L	15/16	2.250			2.00	7813	1.22	0.295	FHR205 -15	
RCR -16L	1	57.15			50.8	19.8	31.00	7.50	FHR205 -16	
RCR -25mm	25mm								FHR205 -25mm	



Rubber Cartridge Units Narrow Inner Ring Bearing RCSM-S / RCSM-L & LRCSM-L Series



RCSM-S



RCSM-L & LRCSM-L

- Cylindrical cartridge interliner made of conductive rubber
- Used to dissipate static and reduce noise/vibration
- Used in many fan, blower and other HVAC applications
- Narrow inner ring bearing
- Standard seal: RST tight riding, full cover, metal shroud seals

Optional seals: See page 85

RCSM-S Set Screw Locking

Dimensions in mm										
Unit No.	Shaft Diam.	a	f	l	Bi	n	m	Recommended Housing Fit	Bearing No.	Rubber Insert No.
RCSM -8S RCSM -12mmS RCSM -9S RCSM -10S RCSM -15mmS RCSM -11S RCSM -17mmS	1/2 12mm 9/16 5/8 15mm 11/16 17mm	2 17/32 64.29	1 3/8 35.00	1 25.4	0.886 22.50	0.256 6.50	0.63 16.00	Diameter 'a' ±.005"	FHSR201 -8 FHSR201 -12mm FHSR202 -9 FHSR202 -10 FHSR202 -15mm FHSR203 -11 FHSR203 -17mm	RCSM-10
RCSM -12S RCSM -13S RCSM -20mmS	3/4 13/16 20mm	2 17/32 64.29	1.580 40.10	1 25.4	0.984 25.00	0.295 7.50	0.69 17.50	Diameter 'a' ±.005"	FHSR204 -12 FHSR204 -13 FHSR204 -20mm	RCSM-12
RCSM -12S RCSM -13S RCSM -14S RCSM -15S RCSM -16S RCSM -25mmS	3/4 13/16 7/8 15/16 1 25mm	2 17/32 64.29	1.811 46.00	1 25.4	1.063 27.00	0.295 7.50	0.77 19.50	Diameter 'a' ±.005"	FHSR205 -12 FHSR205 -13 FHSR205 -14 FHSR205 -15 FHSR205 -16 FHSR205 -25mm	RCSM-16
RCSM -17S RCSM -18S RCSM -19S RCSM -20S RCSM -30mmS	1 1/16 1 1/8 1 3/16 1 1/4(s) 30mm	3 3/32 78.58	1 7/8 47.6	1 3/16 30.2	1.181 30.00	0.354 9.00	0.83 21.00	Diameter 'a' ±.005"	FHSR206 -17 FHSR206 -18 FHSR206 -19 FHSR206 -20 FHSR206 -30mm	RCSM-19

RCSM-L/LRCSM-L Eccentric Locking Collar

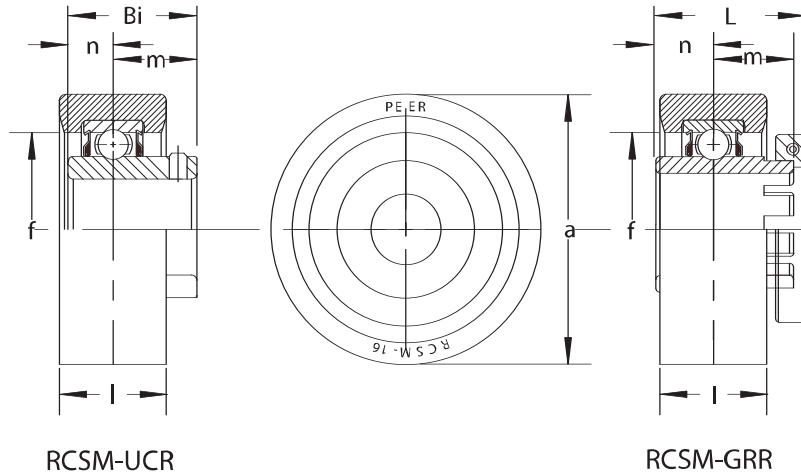
Dimensions in mm										
Unit No.	Shaft Diam.	a	f	l	L	n	m	Recommended Housing Fit	Bearing No.	Rubber Insert No.
RCSM -8L RCSM -12mmL RCSM -9L RCSM -10L RCSM -15mmL RCSM -11L RCSM -17mmL	1/2 12mm 9/16 5/8 15mm 11/16 17mm	2 17/32 64.29	1 3/8 35.00	1 25.4	1.126 28.60	0.256 6.50	0.49 12.55	Diameter 'a' ±.005"	FHR201 -8 FHR201 -12mm FHR202 -9 FHR202 -10 FHR202 -15mm FHR203 -11 FHR203 -17mm	RCSM-10
RCSM -12L RCSM -20mmL	3/4 20mm	2 17/32 64.29	1.580 40.10	1 25.4	1.220 31.00	0.295 7.50	0.55 13.91	Diameter 'a' ±.005"	FHR204 -12 FHR204 -20mm	RCSM-12
RCSM -13L RCSM -14L RCSM -15L RCSM -16L RCSM -25mmL	13/16 7/8 15/16 1 25mm	2 17/32 64.29	1.811 46.00	1 25.4	1.220 31.00	0.295 7.50	0.55 14.00	Diameter 'a' ±.005"	FHR205 -13 FHR205 -14 FHR205 -15 FHR205 -16 FHR205 -25mm	RCSM-16
RCSM -17L RCSM -18L RCSM -19L RCSM -20L RCSM -30mmL	1 1/16 1 1/8 1 3/16 1 1/4(s) 30mm	3 3/32 78.58	1 7/8 47.6	1 3/16 30.2	1.406 35.70	0.354 9.00	0.58 14.82	Diameter 'a' ±.005"	FHR206 -17 FHR206 -18 FHR206 -19 FHR206 -20 FHR206 -30mm	RCSM-19
LRCSM -17L LRCSM -18L LRCSM -19L LRCSM -20L	1 1/16 1 1/8 1 3/16 1 1/4	2 17/32 64.29	1 7/8 47.6	1 25.4	1.031 26.20	0.256 6.50	0.46 11.80	Diameter 'a' ±.005"	FHRL6006 -17 FHRL6006 -18 FHRL6006 -19 FHRL6006 -20	LRCSM-19

Rubber Cartridge Units Wide Inner Ring Bearing RCSM-UCR / RCSM-GRR Series



- Cylindrical cartridge interliner made of conductive rubber
- Used to dissipate static and reduce noise/vibration
- Used in many fan, blower and other HVAC applications
- Wide inner ring bearing for increased shaft support
- Bearings have black oxide plated inner and outer rings
- Standard seal: RST tight riding, full cover, metal shroud seals

Optional seals: See page 85



RCSM-UCR Set Screw Locking

Unit No.	Shaft Diam.	Dimensions ⁱⁿ / _{mm}						Recommended Housing Fit	Bearing No.	Rubber Insert No.
		a	f	l	Bi	n	m			
RCSM -8UCSR RCSM -10UCSR	1/2 5/8	2 17/32 64.29	1 3/8 35.00	1 25.4	1.024 26.00	0.394 10.00	0.63 16.00	Diameter 'a' ±.005"	UCSR201 -8 UCSR202 -10	RCSM-10
RCSM -8UCR RCSM -10UCR	1/2 5/8	2 17/32 64.29	1.580 40.10	1 25.4	1.220 31.00	0.500 12.70	0.72 18.30	Diameter 'a' ±.005"	UCR201 -8 UCR202 -10	RCSM-12
RCSM -12UCR RCSM -20mm-UCR	3/4 20mm	2 17/32 64.29	1.580 40.10	1 25.4	1.220 31.00	0.500 12.70	0.72 18.30	Diameter 'a' ±.005"	UCR204 -12 UCR204 -20mm	RCSM-12
RCSM -14UCR RCSM -15UCR RCSM -16UCR RCSM -25mm-UCR	7/8 15/16 1 25mm	2 17/32 64.29	1.811 46.00	1 25.4	1.339 34.00	0.563 14.30	0.78 19.70	Diameter 'a' ±.005"	UCR205 -14 UCR205 -15 UCR205 -16 UCR205 -25mm	RCSM-16
RCSM -17UCR RCSM -18UCR RCSM -19UCR RCSM -20SUCR RCSM -30mm-UCR	1 1/16 1 1/8 1 3/16 1 1/4(s) 30mm	3 3/32 78.58	1 7/8 47.6	1 3/16 30.2	1.500 38.10	0.626 15.90	0.87 22.20	Diameter 'a' ±.005"	UCR206 -17 UCR206 -18 UCR206 -19 UCR206 -20 UCR206 -30mm	RCSM-19

RCSM-GRR GRIP-IT 360 Degree Locking

Unit No.	Shaft Diam.	Dimensions ⁱⁿ / _{mm}						Recommended Housing Fit	Bearing No.	Rubber Insert No.
		a	f	l	Bi	n	m			
RCSM -8GRR RCSM -10GRR	1/2 5/8	2 17/32 64.29	1.580 40.10	1 25.4	1.220 31.00	0.500 12.70	0.72 18.30	Diameter 'a' ±.005"	GRR201 -8 GRR202 -10	RCSM-12
RCSM -12GRR RCSM -20mm-GRR	3/4 20mm	2 17/32 64.29	1.580 40.10	1 25.4	1.220 31.00	0.500 12.70	0.72 18.30	Diameter 'a' ±.005"	GRR204 -12 GRR204 -20mm	RCSM-12
RCSM -14GRR RCSM -15GRR RCSM -16GRR RCSM -25mm-GRR	7/8 15/16 1 25mm	2 17/32 64.29	1.811 46.00	1 25.4	1.358 34.50	0.563 14.30	0.80 20.20	Diameter 'a' ±.005"	GRR205 -14 GRR205 -15 GRR205 -16 GRR205 -25mm	RCSM-16
RCSM -17GRR RCSM -18GRR RCSM -19GRR RCSM -20GRR RCSM -30mm-GRR	1 1/16 1 1/8 1 3/16 1 1/4(s) 30mm	3 3/32 78.58	1 7/8 47.6	1 3/16 30.2	1.500 38.10	0.626 15.90	0.87 22.20	Diameter 'a' ±.005"	GRR206 -17 GRR206 -18 GRR206 -19 GRR206 -20 GRR206 -30mm	RCSM-19

Standard Mounted Units

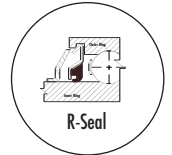
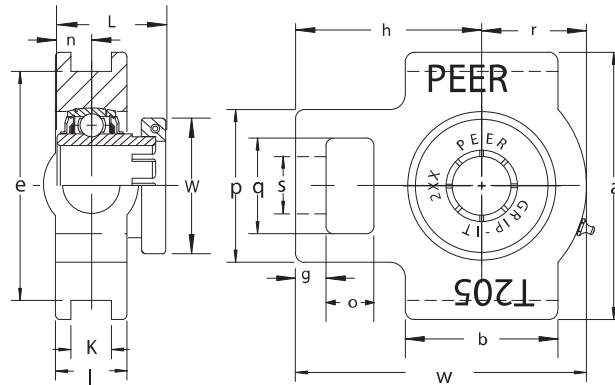
Take Up Units

GRT200 Series GRIP-IT 360 Degree Locking



- Standard duty, high-grade cast iron
- Slot width must be specified when ordering
- Wide inner ring bearing
- Relubricatable unit with anti-rotation pin
- Black oxide plated inner and outer rings
- Standard seal: R-Seal

Triple lip seal and other options:
See page 85



Standard Mounted Units

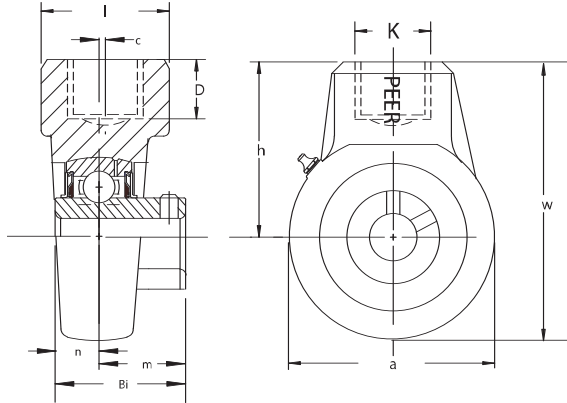
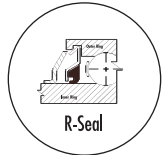
Unit No.	Shaft Diam.	Dimensions in mm																Bearing No.	Housing No.	
		o	g	p	q	s	b	K	e	a	w	j	l	r	h	L	n			W
GRT204 -12 GRT204 -13 GRT204 -20mm	3/4 13/16 20mm	5/8 15.9	13/32 10.3	2 50.8	1 1/4 31.8	3/4 19.1	2 50.8	17/32 13.5	3 76.2	3 1/2 88.9	3 23/32 94.4	1 1/4 31.8	13/16 20.6	1 5/16 33.3	2 13/32 61.1	1.374 34.90	0.500 12.70	1.76 44.60	GR204 -12 GR204 -13 GR204 -20mm	T-204-H
GRT205 -13 GRT205 -14 GRT205 -15 GRT205 -16 GRT205 -25mm	13/16 7/8 15/16 1 25mm	5/8 15.9	13/32 10.3	2 50.8	1 1/4 31.8	3/4 19.1	2 50.8	17/32 13.5	3 76.2	3 1/2 88.9	3 13/16 96.8	1 1/4 31.8	15/16 23.8	1 3/8 34.9	2 7/16 61.9	1.512 38.40	0.563 14.30	1.94 49.20	GR205 -13 GR205 -14 GR205 -15 GR205 -16 GR205 -25mm	T-205-H
GRT206 -17 GRT206 -18 GRT206 -19 GRT206 -20 GRT206 -30mm	1 1/16 1 1/8 1 3/16 1 1/4(s) 30mm	5/8 15.9	13/32 10.3	2 7/32 56.4	1 15/32 37.3	55/64 21.8	2 1/4 57.2	17/32 13.5	3 1/2 88.9	4 1/32 102.4	4 7/16 112.8	1 15/32 37.3	1 3/32 27.8	1 11/16 42.9	2 3/4 69.9	1.650 41.90	0.626 15.90	2.19 55.50	GR206 -17 GR206 -18 GR206 -19 GR206 -20 GR206 -30mm	T-206-H
GRT207 -20 GRT207 -21 GRT207 -22 GRT207 -23 GRT207 -35mm	1 1/4 1 5/16 1 3/8 1 7/16 35mm	5/8 15.9	1/2 12.7	2 17/32 64.3	1 15/32 37.3	55/64 21.8	2 17/32 64.3	17/32 13.5	3 1/2 88.9	4 1/32 102.4	5 1/16 128.8	1 15/32 37.3	1 3/16 30.2	2 51.0	3 1/16 77.8	1.870 47.50	0.689 17.50	2.57 65.40	GR207 -20 GR207 -21 GR207 -22 GR207 -23 GR207 -35mm	T-207-H
GRT208 -24 GRT208 -25 GRT208 -40mm	1 1/2 1 9/16 40mm	3/4 19.1	5/8 15.9	3 9/32 83.3	1 15/16 49.2	1 9/64 29.0	3 9/32 83.3	11/16 17.5	4 1/64 102.0	4 1/2 114.3	5 11/16 144.5	1 15/16 49.2	1 5/16 33.3	2 27/32 56.4	3 15/32 88.1	2.114 53.70	0.748 19.00	2.69 68.40	GR208 -24 GR208 -25 GR208 -40mm	T-208-H
GRT209 -26 GRT209 -27 GRT209 -28 GRT209 -45mm	1 5/8 1 11/16 1 3/4 45mm	3/4 19.1	5/8 15.9	3 9/32 83.3	1 15/16 49.2	1 9/64 29.0	3 9/32 83.3	11/16 17.5	4 1/64 102.0	4 19/32 116.7	5 11/16 144.5	1 15/16 49.2	1 3/8 34.9	2 1/4 57.2	3 7/16 87.3	2.122 53.90	0.748 19.00	2.93 74.50	GR209 -26 GR209 -27 GR209 -28 GR209 -45mm	T-209-H
GRT210 -29 GRT210 -30 GRT210 -31 GRT210 -32 GRT210 -50mm	1 13/16 1 7/8 1 15/16 2(s) 50mm	3/4 19.1	5/8 15.9	3 9/32 83.3	1 15/16 49.2	1 9/64 29.0	3 3/8 85.7	11/16 17.5	4 1/64 102.0	4 19/32 116.7	5 27/32 148.4	1 15/16 49.2	1 15/32 37.3	2 5/16 58.7	3 17/32 89.7	2.268 57.60	0.748 19.00	3.39 86.00	GR210 -29 GR210 -30 GR210 -31 GR210 -32 GR210 -50mm	T-210-H
GRT211 -32 GRT211 -33 GRT211 -34 GRT211 -35 GRT211 -55mm	2 2 1/16 2 1/8 2 3/16 55mm	1 25.4	3/4 19.1	4 1/32 102.4	2 17/32 64.3	1 3/8 34.9	3 3/4 95.3	.866 22.0	5 1/8 130.2	5 3/4 146.1	6 3/4 171.5	2 17/32 64.3	1 1/2 38.1	2 9/16 65.1	4 3/16 106.4	2.429 61.70	0.874 22.20	3.50 89.00	GR211 -32 GR211 -33 GR211 -34 GR211 -35 GR211 -55mm	T-211-H
GRT212 -36 GRT212 -37 GRT212 -38 GRT212 -39 GRT212 -60mm	2 1/4 2 5/16 2 3/8 2 7/16 60mm	1 1/4 31.8	3/4 19.1	4 1/32 102.4	2 17/32 64.3	1 3/8 34.9	4 1/32 102.4	.866 22.0	5 1/8 130.2	5 3/4 146.1	7 5/8 193.7	2 17/32 64.3	1 21/32 42.1	2 15/16 74.6	4 11/16 119.1	2.846 72.30	1.000 25.40	4.06 103.00	GR212 -36 GR212 -37 GR212 -38 GR212 -39 GR212 -60mm	T-212-H
GRT213 -40 GRT213 -41 GRT213 -65mm	2 1/2 2 9/16 65mm	1 1/4 31.8	13/16 20.6	4 3/8 111.1	2 3/4 69.9	1 39/64 40.9	4 3/4 120.7	17/16 27.0	5 15/16 150.8	6 9/16 166.7	8 27/32 224.6	2 3/4 69.9	1 23/32 43.7	3 7/16 87.3	5 13/32 137.3	2.846 72.30	1.000 25.40	4.11 104.50	GR213 -40 GR213 -41 GR213 -65mm	T-213-H
GRT214 -42 GRT214 -43 GRT214 -44 GRT214 -70mm	2 5/8 2 11/16 2 3/4 70mm	1 1/4 31.8	13/16 20.6	4 3/8 111.1	2 3/4 69.9	1 39/64 40.9	4 3/4 120.7	17/16 27.0	5 15/16 150.8	6 9/16 166.7	8 27/32 224.6	2 3/4 69.9	1 13/16 46.0	3 7/16 87.3	5 13/32 137.3	3.220 81.80	1.189 30.20	4.39 111.50	GR214 -42 GR214 -43 GR214 -44 GR214 -70mm	T-214-H
GRT215 -45 GRT215 -46 GRT215 -47 GRT215 -48 GRT215 -75mm	2 13/16 2 7/8 2 15/16 3 75mm	1 1/4 31.8	13/16 20.6	4 3/8 111.1	2 3/4 69.9	1 39/64 40.9	4 3/4 120.7	17/16 27.0	5 15/16 150.8	6 9/16 166.7	9 1/8 231.8	2 3/4 69.9	1 7/8 47.6	3 5/8 92.1	5 1/2 139.7	3.358 85.30	1.311 33.30	4.65 118.00	GR215 -45 GR215 -46 GR215 -47 GR215 -48 GR215 -75mm	T-215-H

1. Slot width ('K' dimension) can be made to your specification upon request. See page 129 for suggested options.
2. Specify slot width when ordering the complete unit: Example: GRT205-17-17/32
3. Specify slot width when ordering the housing only: Example: T-205-H-17/32



Hanger Bearing Units

UCHA200 Series Set Screw Locking



Standard duty, high-grade cast iron
Wide inner ring bearing
Relubricatable unit with anti-rotation pin
Standard seal: R-Seal

Triple lip seal and other options: See page 85

Dimensions <small>in mm</small>													
Unit No.	Shaft Diam.	a	w	c	h	l	D	K	Bi	n	m	Bearing No.	Housing No.
UCHA201 -8	1/2											UC201 -8	HA-204-H
UCHA201 -12mm	12mm											UC201 -12mm	
UCHA202 -9	9/16	2 17/32	3 25/32	0	2 33/64	1 9/16	3/4	NPSM-3/4	1.220	0.500	0.72	UC202 -9	
UCHA202 -10	5/8	64.3	96.0	0	63.9	39.7	19.1		31.00	12.70	18.30	UC202 -10	
UCHA202 -15mm	15mm											UC202 -15mm	
UCHA203 -11	11/16											UC203 -11	HA-205-H
UCHA203 -17mm	17mm											UC203 -17mm	
UCHA204 -12	3/4	2 17/32	3 25/32	0	2 33/64	1 9/16	3/4	NPSM-3/4	1.220	0.500	0.72	UC204 -12	
UCHA204 -13	13/16	64.3	96.0	0	63.9	39.7	19.1		31.00	12.70	18.30	UC204 -13	
UCHA204 -20mm	20mm											UC204 -20mm	
UCHA205 -13	13/16											UC205 -13	HA-206-H
UCHA205 -14	7/8											UC205 -14	
UCHA205 -15	15/16	3 1/16	4 1/16	0	2 33/64	1 9/16	3/4	NPSM-3/4	1.339	0.563	0.78	UC205 -15	
UCHA205 -16	1	77.8	103.2	0	63.9	39.7	19.1		34.00	14.30	19.70	UC205 -16	
UCHA205 -25mm	25mm											UC205 -25mm	
UCHA206 -17	1 1/16											UC206 -17	HA-207-H
UCHA206 -18	1 1/8											UC206 -18	
UCHA206 -19	1 3/16	3 1/16	4 1/16	0	2 33/64	1 9/16	3/4	NPSM-3/4	1.500	0.626	0.87	UC206 -19	
UCHA206 -20	1 1/4(s)	77.8	103.2	0	63.9	39.7	19.1		38.10	15.90	22.20	UC206 -20	
UCHA206 -30mm	30mm											UC206 -30mm	
UCHA207 -20	1 1/4											UC207 -20	HA-208-H
UCHA207 -21	1 5/16											UC207 -21	
UCHA207 -22	1 3/8	3 5/8	4 9/16	0	2 3/4	1 9/16	3/4	NPSM-3/4	1.689	0.689	1.00	UC207 -22	
UCHA207 -23	1 7/16	92.1	115.9	0	69.9	39.7	19.1		42.90	17.50	25.40	UC207 -23	
UCHA207 -35mm	35mm											UC207 -35mm	
UCHA208 -24	1 1/2											UC208 -24	HA-209-H
UCHA208 -25	1 9/16	3 25/32	4 3/4	5/64	2 7/8	1 9/16	3/4	NPSM-3/4	1.937	0.748	1.19	UC208 -25	
UCHA208 -40mm	40mm	96.0	120.7	2.0	73.0	39.7	19.1		49.20	19.00	30.20	UC208 -40mm	
UCHA209 -26	1 5/8											UC209 -26	HA-210-H
UCHA209 -27	1 11/16											UC209 -27	
UCHA209 -28	1 3/4	4 1/4	5 11/32	13/64	3 15/64	1 7/8	13/16	NPSM-1	1.937	0.748	1.19	UC209 -28	
UCHA209 -45mm	45mm	108.0	135.7	5.2	82.2	47.6	20.6		49.20	19.00	30.20	UC209 -45mm	
UCHA210 -29	1 13/16											UC210 -29	HA-211-H
UCHA210 -30	1 7/8											UC210 -30	
UCHA210 -31	1 15/16	4 21/32	5 19/32	13/64	3 17/64	1 7/8	13/16	NPSM-1	2.031	0.748	1.28	UC210 -31	
UCHA210 -32	2(s)	118.3	142.1	5.2	82.9	47.6	20.6		51.60	19.00	32.60	UC210 -32	
UCHA210 -50mm	50mm											UC210 -50mm	
UCHA211 -32	2											UC211 -32	HA-212-H
UCHA211 -33	2 1/16											UC211 -33	
UCHA211 -34	2 1/8	4 31/32	5 29/32	9/32	3 27/32	2 3/8	1	NPSM-1 1/4	2.189	0.874	1.31	UC211 -34	
UCHA211 -35	2 3/16	126.0	150.0	7.1	86.9	60.3	25.4		55.60	22.20	33.40	UC211 -35	
UCHA211 -55mm	55mm											UC211 -55mm	
UCHA212 -36	2 1/4											UC212 -36	HA-213-H
UCHA212 -37	2 5/16											UC212 -37	
UCHA212 -38	2 3/8	5 19/32	6 13/16	23/64	4 1/64	2 3/8	1 3/32	NPSM-1 1/4	2.563	1.000	1.56	UC212 -38	
UCHA212 -39	2 7/16	142.1	173.0	9.1	102.0	60.3	27.8		65.10	25.40	39.70	UC212 -39	
UCHA212 -60mm	60mm											UC212 -60mm	
UCHA213 -40	2 1/2											UC213 -40	HA-214-H
UCHA213 -41	2 9/16	6 17/32	7 7/8	3/8	4 39/64	2 3/4	1 1/4	NPSM-1 1/2	2.563	1.000	1.56	UC213 -41	
UCHA213 -65mm	65mm	165.9	200.0	9.5	117.1	69.9	31.8		65.10	25.40	39.70	UC213 -65mm	
UCHA214 -42	2 5/8											UC214 -42	HA-215-H
UCHA214 -43	2 11/16	6 17/32	7 7/8	3/8	4 39/64	2 3/4	1 1/4	NPSM-1 1/2	2.937	1.189	1.75	UC214 -43	
UCHA214 -44	2 3/4	165.9	200.0	9.5	117.1	69.9	31.8		74.60	30.20	44.40	UC214 -44	
UCHA214 -70mm	70mm											UC214 -70mm	
UCHA215 -45	2 13/16											UC215 -45	HA-215-H
UCHA215 -46	2 7/8	6 17/32	7 7/8	3/8	4 39/64	2 3/4	1 1/4	NPSM-1 1/2	3.063	1.311	1.75	UC215 -46	
UCHA215 -47	2 15/16	165.9	200.0	9.5	117.1	69.9	31.8		77.80	33.30	44.50	UC215 -47	
UCHA215 -48	3											UC215 -48	
UCHA215 -75mm	75mm											UC215 -75mm	

1. Straight pipe thread is standard. Special threading available upon request.

2. HA series housings can also be combined with the following insert bearings: HC, FH, FHS or GR Example: HCHA205-16 or FHHA205-16.

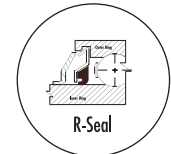
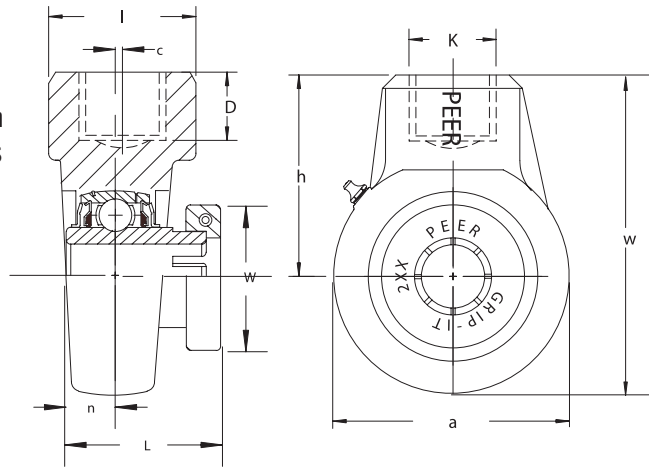
Hanger Bearing Units

GRHA200 Series GRIP-IT 360 Degree Locking



- Standard duty, high-grade cast iron
- Wide inner ring bearing
- Relubricatable unit with anti-rotation pin
- Black oxide plated inner and outer rings
- Standard seal: R-Seal

Triple lip seal and other options: See page 85



Unit No.	Dimensions <small>in mm</small>												Bearing No.	Housing No.
	Shaft Diam.	a	w	c	h	l	D	K	L	n	W			
GRHA204 -12 GRHA204 -13 GRHA204 -20mm	3/4 13/16 20mm	2 17/32 64.3	3 25/32 96.0	0 0	2 33/64 63.9	1 9/16 39.7	3/4 19.1	NPSM-3/4	1.374 34.90	0.500 12.70	1.76 44.60	GR204 -12 GR204 -13 GR204 -20mm	HA-204-H	
GRHA205 -13 GRHA205 -14 GRHA205 -15 GRHA205 -16 GRHA205 -25mm	13/16 7/8 15/16 1 25mm	3 1/16 77.8	4 1/16 103.2	0 0	2 33/64 63.9	1 9/16 39.7	3/4 19.1	NPSM-3/4	1.512 38.40	0.563 14.30	1.94 49.20	GR205 -13 GR205 -14 GR205 -15 GR205 -16 GR205 -25mm	HA-205-H	
GRHA206 -17 GRHA206 -18 GRHA206 -19 GRHA206 -20 GRHA206 -30mm	1 1/16 1 1/8 1 3/16 1 1/4(s) 30mm	3 1/16 77.8	4 1/16 103.2	0 0	2 33/64 63.9	1 9/16 39.7	3/4 19.1	NPSM-3/4	1.650 41.90	0.626 15.90	2.19 55.50	GR206 -17 GR206 -18 GR206 -19 GR206 -20 GR206 -30mm	HA-206-H	
GRHA207 -20 GRHA207 -21 GRHA207 -22 GRHA207 -23 GRHA207 -35mm	1 1/4 1 5/16 1 3/8 1 7/16 35mm	3 5/8 92.1	4 9/16 115.9	0 0	2 3/4 69.9	1 9/16 39.7	3/4 19.1	NPSM-3/4	1.870 47.50	0.689 17.50	2.57 65.40	GR207 -20 GR207 -21 GR207 -22 GR207 -23 GR207 -35mm	HA-207-H	
GRHA208 -24 GRHA208 -25 GRHA208 -40mm	1 1/2 1 9/16 40mm	3 25/32 96.0	4 3/4 120.7	5/64 2.0	2 7/8 73.0	1 9/16 39.7	3/4 19.1	NPSM-3/4	2.114 53.70	0.748 19.00	2.69 68.40	GR208 -24 GR208 -25 GR208 -40mm	HA-208-H	
GRHA209 -26 GRHA209 -27 GRHA209 -28 GRHA209 -45mm	1 5/8 1 11/16 1 3/4 45mm	4 1/4 108.0	5 11/32 135.7	13/64 5.2	3 15/64 82.2	1 7/8 47.6	13/16 20.6	NPSM-1	2.122 53.90	0.748 19.00	2.93 74.50	GR209 -26 GR209 -27 GR209 -28 GR209 -45mm	HA-209-H	
GRHA210 -29 GRHA210 -30 GRHA210 -31 GRHA210 -32 GRHA210 -50mm	1 13/16 1 7/8 1 15/16 2(s) 50mm	4 21/32 118.3	5 19/32 142.1	13/64 5.2	3 17/64 82.9	1 7/8 47.6	13/16 20.6	NPSM-1	2.268 57.60	0.748 19.00	3.39 86.00	GR210 -29 GR210 -30 GR210 -31 GR210 -32 GR210 -50mm	HA-210-H	
GRHA211 -32 GRHA211 -33 GRHA211 -34 GRHA211 -35 GRHA211 -55mm	2 2 1/16 2 1/8 2 3/16 55mm	4 31/32 126.0	5 29/32 150.0	9/32 7.1	3 27/32 86.9	2 3/8 60.3	1 25.4	NPSM-1 1/4	2.429 61.70	0.874 22.20	3.50 89.00	GR211 -32 GR211 -33 GR211 -34 GR211 -35 GR211 -55mm	HA-211-H	
GRHA212 -36 GRHA212 -37 GRHA212 -38 GRHA212 -39 GRHA212 -60mm	2 1/4 2 5/16 2 3/8 2 7/16 60mm	5 19/32 142.1	6 13/16 173.0	23/64 9.1	4 1/64 102.0	2 3/8 60.3	1 3/32 27.8	NPSM-1 1/4	2.846 72.30	1.000 25.40	4.06 103.00	GR212 -36 GR212 -37 GR212 -38 GR212 -39 GR212 -60mm	HA-212-H	
GRHA213 -40 GRHA213 -41 GRHA213 -65mm	2 1/2 2 9/16 65mm	6 17/32 165.9	7 7/8 200.0	3/8 9.5	4 39/64 117.1	2 3/4 69.9	1 1/4 31.8	NPSM-1 1/2	2.846 72.30	1.000 25.40	4.11 104.50	GR213 -40 GR213 -41 GR213 -65mm	HA-213-H	
GRHA214 -42 GRHA214 -43 GRHA214 -44 GRHA214 -70mm	2 5/8 2 11/16 2 3/4 70mm	6 17/32 165.9	7 7/8 200.0	3/8 9.5	4 39/64 117.1	2 3/4 69.9	1 1/4 31.8	NPSM-1 1/2	3.220 81.80	1.189 30.20	4.39 111.50	GR214 -42 GR214 -43 GR214 -44 GR214 -70mm	HA-214-H	
GRHA215 -45 GRHA215 -46 GRHA215 -47 GRHA215 -48 GRHA215 -75mm	2 13/16 2 7/8 2 15/16 3 75mm	6 17/32 165.9	7 7/8 200.0	3/8 9.5	4 39/64 117.1	2 3/4 69.9	1 1/4 31.8	NPSM-1 1/2	3.358 85.30	1.311 33.30	4.65 118.00	GR215 -45 GR215 -46 GR215 -47 GR215 -48 GR215 -75mm	HA-215-H	

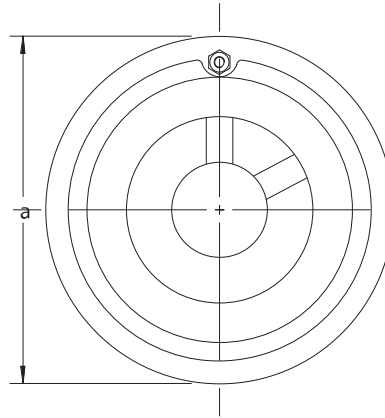
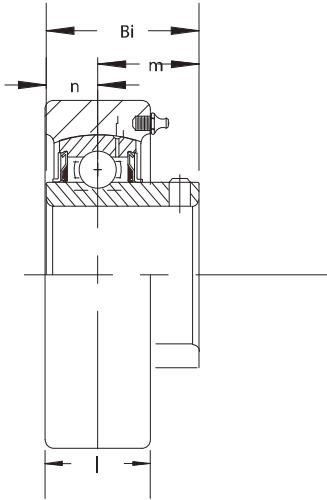
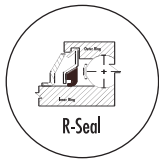
Straight pipe thread is standard. Special threading available upon request.

Standard Mounted Units



Cylindrical Cartridge Units

UCC200 Series Set Screw Locking



Standard duty, high-grade cast iron
Wide inner ring bearing
Relubricatable unit with anti-rotation pin
Standard seal: R-Seal

Triple lip seal and other options:
See page 85

Dimensions ⁱⁿ _{mm}								
Unit No.	Shaft Diam.	a	l	Bi	n	m	Bearing No.	Housing No.
UCC201 -8	1/2						UC201 -8	
UCC201 -12mm	12mm						UC201 -12mm	
UCC202 -9	9/16	2.835	25/32	1.220	0.500	0.72	UC202 -9	C-204-H
UCC202 -10	5/8	72.00	19.800	31.00	12.70	18.30	UC202 -10	
UCC202 -15mm	15mm						UC202 -15mm	
UCC203 -11	11/16						UC203 -11	
UCC203 -17mm	17mm						UC203 -17mm	
UCC204 -12	3/4	2.835	25/32	1.220	0.500	0.72	UC204 -12	C-204-H
UCC204 -13	13/16	72.00	19.800	31.00	12.70	18.30	UC204 -13	
UCC204 -20mm	20mm						UC204 -20mm	
UCC205 -13	13/16						UC205 -13	C-205-H
UCC205 -14	7/8	3.150	55/64	1.339	0.563	0.78	UC205 -14	
UCC205 -15	15/16	80.00	21.800	34.00	14.30	19.70	UC205 -15	
UCC205 -16	1						UC205 -16	
UCC205 -25mm	25mm						UC205 -25mm	
UCC206 -17	1 1/16						UC206 -17	
UCC206 -18	1 1/8	3.347	1 1/16	1.500	0.626	0.87	UC206 -18	
UCC206 -19	1 3/16	85.00	27.000	38.10	15.90	22.20	UC206 -19	
UCC206 -20	1 1/4(s)						UC206 -20	
UCC206 -30mm	30mm						UC206 -30mm	
UCC207 -20	1 1/4						UC207 -20	C-207-H
UCC207 -21	1 5/16	3.543	1 7/64	1.689	0.689	1.00	UC207 -21	
UCC207 -22	1 3/8	90.00	28.200	42.90	17.50	25.40	UC207 -22	
UCC207 -23	1 7/16						UC207 -23	
UCC207 -35mm	35mm						UC207 -35mm	
UCC208 -24	1 1/2	3.937	1 3/16	1.937	0.748	1.19	UC208 -24	C-208-H
UCC208 -25	1 9/16	100.00	30.200	49.20	19.00	30.20	UC208 -25	
UCC208 -40mm	40mm						UC208 -40mm	
UCC209 -26	1 5/8						UC209 -26	C-209-H
UCC209 -27	1 11/16	4.331	1 7/32	1.937	0.748	1.19	UC209 -27	
UCC209 -28	1 3/4	110.00	31.000	49.20	19.00	30.20	UC209 -28	
UCC209 -45mm	45mm						UC209 -45mm	
UCC210 -29	1 13/16						UC210 -29	C-210-H
UCC210 -30	1 7/8						UC210 -30	
UCC210 -31	1 15/16	4.724	1 19/64	2.031	0.748	1.28	UC210 -31	
UCC210 -32	2(s)	120.00	33.000	51.60	19.00	32.60	UC210 -32	
UCC210 -50mm	50mm						UC210 -50mm	
UCC211 -32	2						UC211 -32	C-211-H
UCC211 -33	2 1/16	4.921	1 3/8	2.189	0.874	1.31	UC211 -33	
UCC211 -34	2 1/8	125.00	35.000	55.60	22.20	33.40	UC211 -34	
UCC211 -35	2 3/16						UC211 -35	
UCC211 -55mm	55mm						UC211 -55mm	
UCC212 -36	2 1/4						UC212 -36	C-212-H
UCC212 -37	2 5/16						UC212 -37	
UCC212 -38	2 3/8	5.118	1 1/2	2.563	1.000	1.56	UC212 -38	
UCC212 -39	2 7/16	130.00	38.100	65.10	25.40	39.70	UC212 -39	
UCC212 -60mm	60mm						UC212 -60mm	
UCC213 -40	2 1/2						UC213 -40	C-213-H
UCC213 -41	2 9/16	5.512	1 37/64	2.563	1.000	1.56	UC213 -41	
UCC213 -65mm	65mm	140.00	40.100	65.10	25.40	39.70	UC213 -65mm	

C series housings can also be combined with the following insert bearings: HC, FH, FHS or GR :
Example HCC205-16 or FHC205-16.

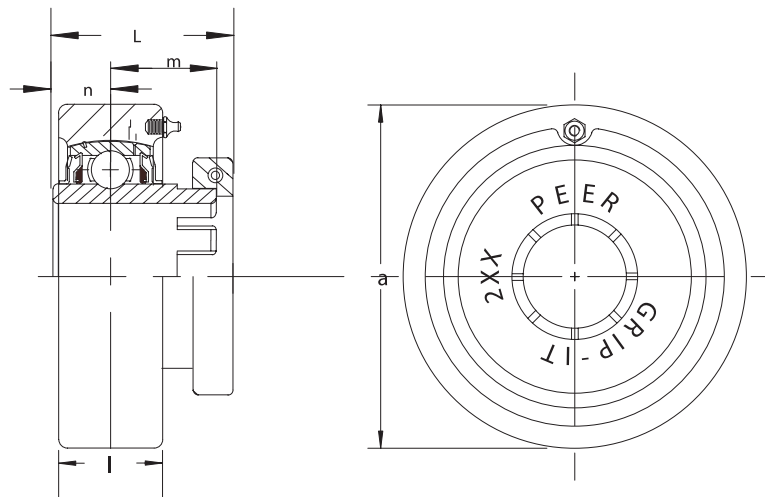
Cylindrical Cartridge Units

GRC200 Series GRIP-IT 360 Degree Locking



- Standard duty, high-grade cast iron
- Wide inner ring bearing
- Relubricatable unit with anti-rotation pin
- Black oxide plated inner and outer rings
- Standard seal: R-Seal

Triple lip seal and other options: See page 85



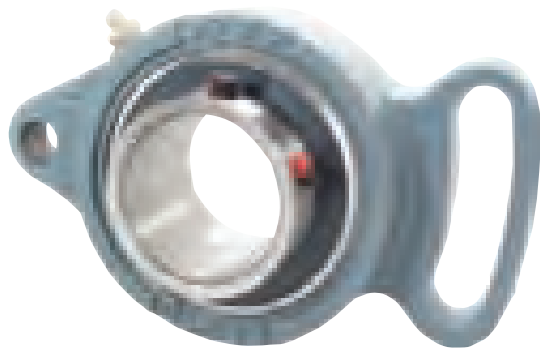
Unit No.	Shaft Diam.	Dimensions ⁱⁿ / _{mm}					Bearing No.	Housing No.
		a	I	L	n	m		
GRC204 -12	3/4	2.835	25/32	1.374	0.500	0.72	GR204 -12	C-204-H
GRC204 -13	13/16	72.00	19.800	34.90	12.70	18.30	GR204 -13	
GRC204 -20mm	20mm						GR204 -20mm	
GRC205 -13	13/16	3.150	55/64	1.512	0.563	0.80	GR205 -13	C-205-H
GRC205 -14	7/8						GR205 -14	
GRC205 -15	15/16						GR205 -15	
GRC205 -16	1						GR205 -16	
GRC205 -25mm	25mm						GR205 -25mm	
GRC206 -17	1 1/16	3.347	1 1/16	1.650	0.626	0.87	GR206 -17	C-206-H
GRC206 -18	1 1/8						GR206 -18	
GRC206 -19	1 3/16						GR206 -19	
GRC206 -20	1 1/4(s)						GR206 -20	
GRC206 -30mm	30mm						GR206 -30mm	
GRC207 -20	1 1/4						3.543	
GRC207 -21	1 5/16	GR207 -21						
GRC207 -22	1 3/8	GR207 -22						
GRC207 -23	1 7/16	GR207 -23						
GRC207 -35mm	35mm	GR207 -35mm						
GRC208 -24	1 1/2	3.937	1 3/16	2.114	0.748	1.19	GR208 -24	C-208-H
GRC208 -25	1 9/16						GR208 -25	
GRC208 -40mm	40mm						GR208 -40mm	
GRC209 -26	1 5/8	4.331	1 7/32	2.122	0.748	1.19	GR209 -26	C-209-H
GRC209 -27	1 11/16						GR209 -27	
GRC209 -28	1 3/4						GR209 -28	
GRC209 -45mm	45mm						GR209 -45mm	
GRC210 -29	1 13/16	4.724	1 19/64	2.268	0.748	1.28	GR210 -29	C-210-H
GRC210 -30	1 7/8						GR210 -30	
GRC210 -31	1 15/16						GR210 -31	
GRC210 -32	2(s)						GR210 -32	
GRC210 -50mm	50mm						GR210 -50mm	
GRC211 -32	2	4.921	1 3/8	2.429	0.874	1.31	GR211 -32	C-211-H
GRC211 -33	2 1/16						GR211 -33	
GRC211 -34	2 1/8						GR211 -34	
GRC211 -35	2 3/16						GR211 -35	
GRC211 -55mm	55mm						GR211 -55mm	
GRC212 -36	2 1/4	5.118	1 1/2	2.846	1.000	1.56	GR212 -36	C-212-H
GRC212 -37	2 5/16						GR212 -37	
GRC212 -38	2 3/8						GR212 -38	
GRC212 -39	2 7/16						GR212 -39	
GRC212 -60mm	60mm						GR212 -60mm	
GRC213 -40	2 1/2	5.512	1 37/64	2.846	1.000	1.56	GR213 -40	C-213-H
GRC213 -41	2 9/16						GR213 -41	
GRC213 -65mm	65mm						GR213 -65mm	

Standard Mounted Units



FLANGE & CASTED "SPECIALS"

PEER offers many options and modifications on flange units. In addition, PEER offers custom casted specials made to exact customer specifications. Below are just a few examples. Contact your sales representative for further information.



Adjustable Flange Units
Cast iron UCFA series



Special cast iron housings
made for special customer applications



Ductile Trunnion
Common in agricultural applications



Ductile "ARM" designed
for agricultural applications

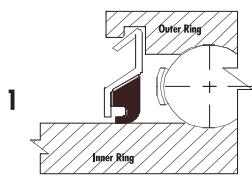
*Private labeling available
See page 33 for pillow block specials*

Bearing and Seal Features Selection Chart

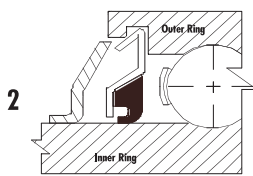


Bearing Type	Eccentric Locking Collar	Set Screw	Grip-IH	Flush IR	Extended IR	Cylindrical OD	Spherical OD	Relube	Non-Relube	Snap Ring	Anit-Rotation Pin	Standard Seals (See below)	Optional Seals / Shields (See below)
FH	•		•			•		•				1	5
FH-G	•		•			•	•					1	5
FHR	•		•		•			•				1	5
HC	•			•		•	•					2	1, 3, 4, 5, 6
HCR	•			•	•			•				2	1, 3, 4, 5, 6
* HCX	•			•		•	•					2	1, 3, 4, 5, 6
* HER	•			•	•		•		•			2	1, 3, 4, 5, 6
FHL	•		•			•		•				1	5
FHRL	•		•		•			•				1	5
FHS		•	•			•		•				1	5
FHS-G		•	•			•	•					1	5
FHSR		•	•		•			•				1	5
SER		•		•	•		•		•			2	1, 3, 4, 5, 6
UC		•		•		•	•			•		2	1, 3, 4, 5, 6
UCR		•		•	•			•				2	1, 3, 4, 5, 6
UCX		•		•		•	•			•		2	1, 3, 4, 5, 6
GR			•	•		•	•			•		2	1, 3, 4, 5, 6
GER			•	•	•		•		•			2	1, 3, 4, 5, 6

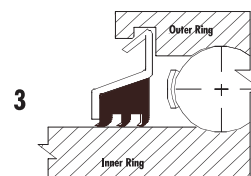
Standard Mounted Units



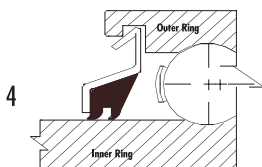
1
RST-Seal
Full cover metal shroud with Buna-N rubber lip.



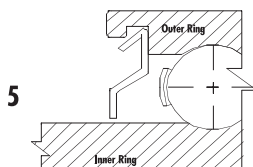
2
R-Seal
Full cover metal shroud with Buna-N rubber lip plus slinger.



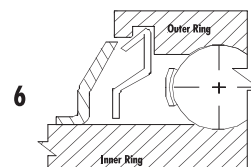
3
TRL-Seal
Full cover metal shroud with triple (3) Buna-N rubber lips.



4
DBL-Seal
Full cover metal shroud with double (2) Buna-N rubber lips.



5
Z-Shield
Full cover metal shroud.



6
Z-Shield/Slinger
Full cover metal shroud with slinger.

* Not in catalog but available.



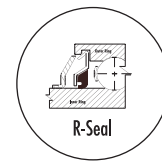
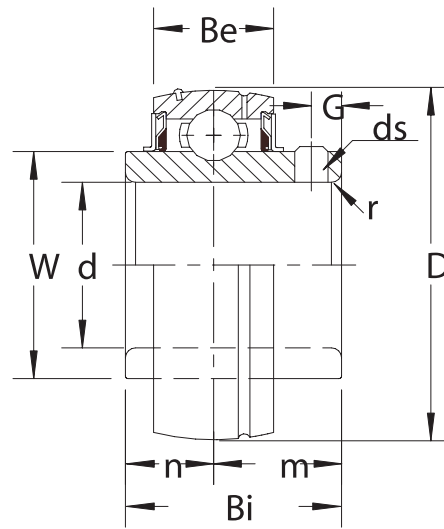
Insert Bearings For Units UC200 Series Set Screw Locking

- Standard load capacity
- Wide inner ring with spherical outer ring
- Relubrication groove with oil hole on set screw side
- Anti-rotation pin on side opposite grease groove
- Nylon patched class 3A set screws are standard
- Standard seal: R-Seal



Triple lip seal and other options: See page 85

Unit No.	Dimensions <small>in mm</small>										Load Rating (Lbs.)	
	Shaft Diam.	D	Bi	Be	r	n	m	G	W	ds (UNF-Thread)	Dynamic	Static
	UCS201 -8 UCS201 -12mm UCS202 -9 UCS202 -10 UCS202 -15mm UCS203 -11 UCS203 -17mm	1/2 12mm 9/16 5/8 15mm 11/16 17mm	1.5748 40.000	1.024 26.00	0.512 13.00	0.039 1.00	0.3937 10.000	0.630 16.00	0.157 4.00	0.969 24.60	1/4-28x1/4 M6xP1.0	2160
UC201 -8 UC201 -12mm UC202 -9 UC202 -10 UC202 -15mm UC203 -11 UC203 -17mm	1/2 12mm 9/16 5/8 15mm 11/16 17mm	1.8504 47.000	1.220 31.00	0.6299 16.000	0.039 1.00	0.5000 12.700	0.720 18.30	0.197 5.00	1.130 28.70	1/4-28x1/4 M6xP1.0	2900	1410
UC204 -12 UC204 -13 UC204 -20mm	3/4 13/16 20mm	1.8504 47.000	1.220 31.00	0.591 15.00	0.059 1.50	0.5000 12.700	0.720 18.30	0.197 5.00	1.130 28.70	1/4-28x1/4 M6xP1.0	2900	1410
UC205 -13 UC205 -14 UC205 -15 UC205 -16 UC205 -25mm	13/16 7/8 15/16 1 25mm	2.0472 52.000	1.339 34.00	0.591 15.00	0.059 1.50	0.5630 14.300	0.776 19.70	0.217 5.50	1.327 33.70	1/4-28x1/4 M6xP1.0	3150	1610
UC206 -17 UC206 -18 UC206 -19 UC206 -20 UC206 -30mm	1 1/16 1 1/8 1 3/16 1 1/4(s) 30mm	2.4409 62.000	1.500 38.10	0.709 18.00	0.059 1.50	0.6260 15.900	0.874 22.20	0.220 5.60	1.567 39.80	1/4-28x1/4 M6xP1.0	4370	2320
UC207 -20 UC207 -21 UC207 -22 UC207 -23 UC207 -35mm	1 1/4 1 5/16 1 3/8 1 7/16 35mm	2.8346 72.000	1.689 42.90	0.748 19.00	0.079 2.00	0.6890 17.500	1.000 25.40	0.252 6.40	1.843 46.80	5/16-24x5/16 M8xP1.0	5770	3150
UC208 -24 UC208 -25 UC208 -40mm	1 1/2 1 9/16 40mm	3.1496 80.000	1.937 49.20	0.866 22.00	0.079 2.00	0.7480 19.000	1.189 30.20	0.315 8.00	2.067 52.50	5/16-24x5/16 M8xP1.0	7340	3650



Unit No.	Shaft Diam.	Dimensions <small>in mm</small>									Load Rating (Lbs.)	
		D	Bi	Be	r	n	m	G	W	ds (UNF-Thread)	Dynamic	Static
UC209 -26 UC209 -27 UC209 -28 UC209 -45mm	1 5/8 1 11/16 1 3/4 45mm	3.3465 85.000	1.937 49.20	0.866 22.00	0.079 2.00	0.7480 19.000	1.189 30.20	0.315 8.00	2.256 57.30	5/16-24x5/16 M8xP1.0	7350	4150
UC210 -29 UC210 -30 UC210 -31 UC210 -32 UC210 -50mm	1 13/16 1 7/8 1 15/16 2(s) 50mm	3.5433 90.000	2.031 51.60	0.866 22.00	0.079 2.00	0.7480 19.000	1.283 32.60	0.374 9.50	2.445 62.10	3/8-24x3/8 M10xP1.25	7880	4650
UC211 -32 UC211 -33 UC211 -34 UC211 -35 UC211 -55mm	2 2 1/16 2 1/8 2 3/16 55mm	3.9370 100.000	2.189 55.60	0.984 25.00	0.098 2.50	0.8740 22.200	1.315 33.40	0.374 9.50	2.756 70.00	3/8-24x3/8 M10xP1.25	9740	5850
UC212 -36 UC212 -37 UC212 -38 UC212 -39 UC212 -60mm	2 1/4 2 5/16 2 3/8 2 7/16 60mm	4.3307 110.000	2.563 65.10	1.063 27.00	0.098 2.50	1.0000 25.400	1.563 39.70	0.437 11.10	3.031 77.00	3/8-24x3/8 M10xP1.25	11780	7250
UC213 -40 UC213 -41 UC213 -65mm	2 1/2 2 9/16 65mm	4.7244 120.000	2.563 65.10	1.063 27.00	0.098 2.50	1.0000 25.400	1.563 39.70	0.472 12.00	3.232 82.10	3/8-24x3/8 M10xP1.25	13980	8000
UC214 -42 UC214 -43 UC214 -44 UC214 -70mm	2 5/8 2 11/16 2 3/4 70mm	4.9213 125.000	2.937 74.60	1.142 29.00	0.098 2.50	1.1890 30.200	1.748 44.40	0.472 12.00	3.425 87.00	7/16-20x7/16 M12xP1.5	14000	8800
UC215 -45 UC215 -46 UC215 -47 UC215 -48 UC215 -75mm	2 13/16 2 7/8 2 15/16 3 75mm	5.1181 130.000	3.063 77.80	1.181 30.00	0.098 2.50	1.3110 33.300	1.752 44.50	0.437 11.10	3.602 91.50	7/16-20x7/16 M12xP1.5	14830	9750
UC216 -50 UC216 -80mm	3 1/8 80mm	5.5118 140.000	3.252 82.60	1.260 32.00	0.118 3.00	1.3110 33.300	1.941 49.30	0.551 14.00	3.878 98.50	7/16-20x7/16 M12xP1.5	16280	10400
UC217 -52 UC217 -55 UC217 -85mm	3 1/4 3 7/16 85mm	5.9055 150.000	3.374 85.70	1.339 34.00	0.118 3.00	1.3425 34.100	2.031 51.60	0.472 12.00	4.134 105.00	7/16-20x7/16 M12xP1.5	17680	11600
UC218 -56 UC218 -90mm	3 1/2 90mm	6.2992 160.000	3.780 96.00	1.417 36.00	0.118 3.00	1.5630 39.700	2.217 56.30	0.591 15.00	4.390 111.50	1/2-20x1/2 M12xP1.5	21470	14100

Standard Mounted Units



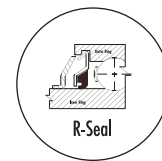
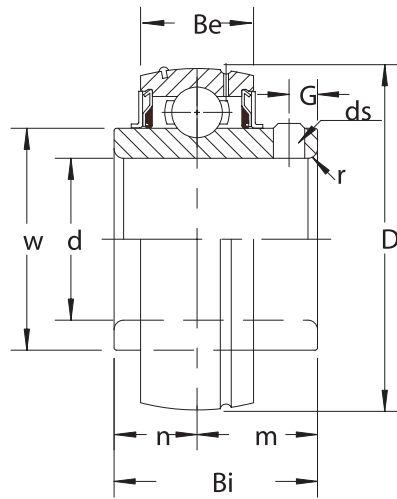
Insert Bearings For Units UCX00 Series Set Screw Locking

Medium load capacity
Wide inner ring with spherical outer ring
Relubrication groove with oil hole on
set screw side
Anti-rotation pin on side opposite
grease groove
Nylon patched class 3A set screws are standard
Standard seal: R-Seal

Triple lip seal and other
options: See page 85



Unit No.	Dimensions ⁱⁿ / _{mm}										Load Rating (Lbs.)	
	Shaft Diam.	D	Bi	Be	r	n	m	G	W	ds (UNF-Thread)	Dynamic	Static
UCX05 -13 UCX05 -14 UCX05 -15 UCX05 -16 UCX05 -25mm	13/16 7/8 15/16 1 25mm	2.4409 62.000	1.500 38.10	0.709 18.00	0.059 1.50	0.6260 15.900	0.874 22.20	0.220 5.60	1.567 39.80	1/4-28x1/4 M6xP1.0	4370	2320
UCX06 -17 UCX06 -18 UCX06 -19 UC207 -20 * UCX06 -30mm	1 1/16 1 1/8 1 3/16 1 1/4 30mm	2.8346 72.000	1.689 42.90	0.748 19.00	0.059 1.50	0.6890 17.500	1.000 25.40	0.252 6.40	1.843 46.80	5/16-24x5/16 M8xP1.0	5770	3150
UCX07 -20 UCX07 -21 UCX07 -22 UCX07 -23 UCX07 -35mm	1 1/4 1 5/16 1 3/8 1 7/16 35mm	3.1496 80.000	1.937 49.20	0.866 22.00	0.079 2.00	0.7480 19.000	1.189 30.20	0.315 8.00	2.067 52.50	5/16-24x5/16 M8xP1.0	7340	3650
UCX08 -24 UCX08 -25 UCX08 -40mm	1 1/2 1 9/16 40mm	3.3465 85.000	1.937 49.20	0.866 22.00	0.079 2.00	0.7480 19.000	1.189 30.20	0.315 8.00	2.256 57.30	5/16-24x5/16 M8xP1.0	7350	4150
UCX09 -26 UCX09 -27 UCX09 -28 UCX09 -45mm	1 5/8 1 11/16 1 3/4 45mm	3.5433 90.000	2.031 51.60	0.866 22.00	0.079 2.00	0.7480 19.000	1.283 32.60	0.374 9.50	2.445 62.10	3/8-24x3/8 M10xP1.25	7880	4650
UCX10 -29 UCX10 -30 UCX10 -31 UC211 -32 ** UCX10 -50mm	1 13/19 1 7/8 1 15/16 2 50mm	3.9370 100.000	2.189 55.60	0.984 25.00	0.079 2.00	0.8740 22.200	1.315 33.40	0.374 9.50	2.756 70.00	3/8-24x3/8 M10xP1.25	9740	5850



Unit No.	Shaft Diam.	Dimensions ⁱⁿ / _{mm}								ds (UNF-Thread)	Load Rating (Lbs.)	
		D	Bi	Be	r	n	m	G	W		Dynamic	Static
UCX11 -32 UCX11 -33 UCX11 -34 UCX11 -35 UC212 -36 *** UCX11 -55mm	2 2 1/16 2 1/8 2 3/16 2 1/4 55mm	4.3307 110.000	2.563 65.10	1.063 27.00	0.098 2.50	1.0000 25.400	1.563 39.70	0.437 11.10	3.031 77.00	3/8-24x3/8 M10xP1.25	11780	7250
UCX12 -37 UCX12 -38 UCX12 -39 UCX12 -60mm	2 5/16 2 3/8 2 7/16 60mm	4.7244 120.000	2.563 65.10	1.063 27.00	0.098 2.50	1.0000 25.400	1.563 39.70	0.472 12.00	3.232 82.10	3/8-24x3/8 M10xP1.25	13980	8000
UCX13 -40 UCX13 -41 UCX13 -65mm	2 1/2 2 9/16 65mm	4.9213 125.000	2.937 74.60	1.142 29.00	0.098 2.50	1.1890 30.200	1.748 44.40	0.472 12.00	3.425 87.00	7/16-20x7/16 M12xP1.5	14000	8800
UCX14 -42 UCX14 -43 UCX14 -44 UCX14 -70mm	2 5/8 2 11/16 2 3/4 70mm	5.1181 130.000	3.063 77.80	1.181 30.00	0.098 2.50	1.3110 33.300	1.752 44.50	0.437 11.10	3.602 91.50	7/16-20x7/16 M12xP1.5	14830	9750
UCX15 -45 UCX15 -46 UCX15 -47 UCX15 -48 UCX15 -75mm	2 13/16 2 7/8 2 15/16 3 75mm	5.5118 140.000	3.252 82.60	1.260 32.00	0.098 2.50	1.3110 33.300	1.941 49.30	0.551 14.00	3.878 98.50	7/16-20x7/16 M12xP1.5	16280	10400
UCX16 -50 UCX16 -80mm	3 1/8 80mm	5.9055 150.000	3.374 85.70	1.339 34.00	0.118 3.00	1.3425 34.100	2.031 51.60	0.472 12.00	4.134 105.00	7/16-20x7/16 M12xP1.5	17680	11600
UCX17 -52 UCX17 -85mm	3 1/4 85mm	6.2992 160.000	3.780 96.00	1.417 36.00	0.118 3.00	1.5630 39.700	2.217 56.30	0.591 15.00	4.390 111.50	1/2-20x1/2 M12xP1.5	21470	14100

*UCX06-20 is identical to the UC207-20 bearing and therefore is listed as such.

**UCX10-32 is identical to the UC211-32 bearing and therefore is listed as such.

***UCX11-36 is identical to the UC212-36 bearing and therefore is listed as such.

Standard Mounted Units



Insert Bearings For Units

HC200 / HCR200 Series Eccentric Locking Collar

HC Series

- Wide inner ring with spherical outer ring
- Standard load capacity
- Relubrication groove with oil hole on locking collar side
- Oil hole opposite groove makes it interchangeable with all manufacturers
- Nylon patched class 3A set screw in collar is standard
- Standard seal: R-Seal

Triple lip seal and other options: See page 85

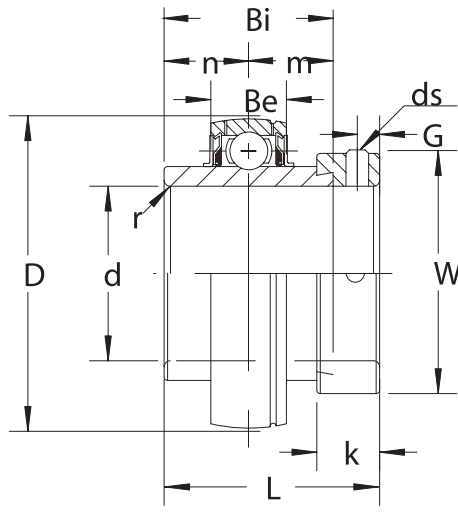
HCR Series

- Wide inner ring with cylindrical outer ring
- Standard load capacity
- Non-relubricatable is standard
- Nylon patched class 3A set screw in collar is standard
- Standard seal: R-Seal

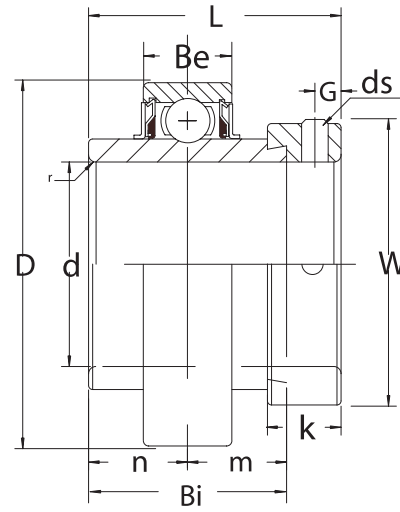
Triple lip seal and other options: See page 85



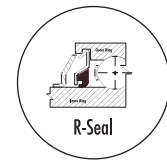
		Dimensions ⁱⁿ / _{mm}											Load Rating (Lbs.)		
Spherical Unit No.	Cylindrical Unit No.	Shaft Diam.	D	L	Bi	Be	r	n	m	W	K	G	ds (UNF-Thread)	Dynamic	Static
HCS201 -8		1/2													
HCS201 -12mm		12mm													
HCS202 -9		9/16	1.5748	1.47	1.094	0.512	0.039	0.5472	0.547	1.126	0.53	0.197	1/4-28x1/4	2160	1000
HCS202 -10		5/8	40.000	37.3	27.80	13.00	1.00	13.900	13.90	28.60	13.5	5.00	M6xP1.0		
HCS202 -15mm		15mm													
HCS203 -11		11/16													
HCS203 -17mm		17mm													
HC201 -8	HCR201 -8	1/2													
HC201 -12mm	HCR201 -12mm	12mm													
HC202 -9	HCR202 -9	9/16	1.8504	1.71	1.339	0.591	0.059	0.6693	0.669	1.260	0.53	0.197	1/4-28x1/4	2900	1410
HC202 -10	HCR202 -10	5/8	47.000	43.5	34.00	15.00	1.50	17.000	17.00	32.00	13.5	5.00	M6xP1.0		
HC202 -15mm	HCR202 -15mm	15mm													
HC203 -11	HCR203 -11	11/16													
HC203 -17mm	HCR203 -17mm	17mm													
HC204 -12	HCR204 -12	3/4	1.8504	1.71	1.339	0.591	0.059	0.6693	0.669	1.260	0.53	0.197	1/4-28x1/4	2900	1410
HC204 -20mm	HCR204 -20mm	20mm	47.000	43.5	34.00	15.00	1.50	17.000	17.00	32.00	13.5	5.00	M6xP1.0		
HC205 -13	HCR205 -13	13/16													
HC205 -14	HCR205 -14	7/8	2.0472	1.74	1.370	0.591	0.059	0.6850	0.685	1.500	0.53	0.189	1/4-28x1/4	3150	1610
HC205 -15	HCR205 -15	15/16	52.000	44.3	34.80	15.00	1.50	17.400	17.40	38.10	13.5	4.80	M6xP1.0		
HC205 -16	HCR205 -16	1													
HC205 -25mm	HCR205 -25mm	25mm													
HC206 -17	HCR206 -17	1 1/16													
HC206 -18	HCR206 -18	1 1/8	2.4409	1.90	1.433	0.709	0.059	0.7165	0.717	1.752	0.62	0.236	5/16-24x5/16	4370	2320
HC206 -19	HCR206 -19	1 3/16	62.000	48.3	36.40	18.00	1.50	18.200	18.20	44.50	15.9	6.00	M8xP1.0		
HC206 -20	HCR206 -20	1 1/4(s)													
HC206 -30mm	HCR206 -30mm	30mm													
HC207 -20	HCR207 -20	1 1/4													
HC207 -21	HCR207 -21	1 5/16	2.8346	2.01	1.480	0.748	0.079	0.7402	0.740	2.189	0.69	0.256	3/8-24x3/8	5770	3150
HC207 -22	HCR207 -22	1 3/8	72.000	51.1	37.60	19.00	2.00	18.800	18.80	55.60	17.5	6.50	M10xP1.25		
HC207 -23	HCR207 -23	1 7/16													
HC207 -35mm	HCR207 -35mm	35mm													
HC208 -24	HCR208 -24	1 1/2	3.1496	2.22	1.685	0.866	0.079	0.8425	0.843	2.374	0.72	0.256	3/8-24x3/8	7340	3650
HC208 -25	HCR208 -25	1 9/16	80.000	56.3	42.80	22.00	2.00	21.400	21.40	60.30	18.3	6.50	M10xP1.25		
HC208 -40mm	HCR208 -40mm	40mm													



HC200



HCR200



		Dimensions ⁱⁿ / _{mm}												Load Rating (Lbs.)	
Spherical Unit No.	Cylindrical Unit No.	Shaft Diam.	D	L	Bi	Be	r	n	m	W	K	G	ds (UNF-Thread)	Dynamic	Static
HC209 -26	HCR209 -26	1 5/8													
HC209 -27	HCR209 -27	1 11/16	3.3465	2.22	1.685	0.866	0.079	0.8425	0.843	2.500	0.72	0.256	3/8-24x3/8	7350	4150
HC209 -28	HCR209 -28	1 3/4	85.000	56.3	42.80	22.00	2.00	21.400	21.40	63.50	18.3	6.50	M10xP1.25		
HC209 -45mm	HCR209 -45mm	45mm													
HC210 -29	HCR210 -29	1 13/16													
HC210 -30	HCR210 -30	1 7/8	3.5433	2.47	1.937	0.866	0.079	0.9685	0.969	2.752	0.72	0.256	3/8-24x3/8	7880	4650
HC210 -31	HCR210 -31	1 15/16	90.000	62.7	49.20	22.00	2.00	24.600	24.60	69.90	18.3	6.50	M10xP1.25		
HC210 -32	HCR210 -32	2(s)													
HC210 -50mm	HCR210 -50mm	50mm													
HC211 -32	HCR211 -32	2													
HC211 -33	HCR211 -33	2 1/16	3.9370	2.81	2.181	0.984	0.098	1.0906	1.091	3.00	0.82	0.315	7/16-20x7/16	9740	5850
HC211 -34	HCR211 -34	2 1/8	100.000	71.4	55.40	25.00	2.50	27.700	27.70	76.20	20.8	8.00	M12xP1.5		
HC211 -35	HCR211 -35	2 3/16													
HC211 -55mm	HCR211 -55mm	55mm													
HC212 -36	HCR212 -36	2 1/4													
HC212 -37	HCR212 -37	2 5/16	4.3307	3.06	2.433	1.063	0.098	1.2165	1.217	3.311	0.87	0.315	7/16-20x7/16	11780	7250
HC212 -38	HCR212 -38	2 3/8	110.000	77.8	61.80	27.00	2.50	30.900	30.90	84.10	22.2	8.00	M12xP1.5		
HC212 -39	HCR212 -39	2 7/16													
HC212 -60mm	HCR212 -60mm	60mm													
HC213 -40	HCR213 -40	2 1/2	4.7244	3.37	2.685	1.063	0.098	1.3425	1.343	3.386	0.93	0.335	7/16-20x7/16	13980	8000
HC213 -41	HCR213 -41	2 9/16	120.000	85.7	68.20	27.00	2.50	34.100	34.10	86.00	23.5	8.50	M12xP1.5		
HC213 -65mm	HCR213 -65mm	65mm													
HC214 -42	HCR214 -42	2 5/8													
HC214 -43	HCR214 -43	2 11/16	4.9213	3.37	2.685	1.142	0.098	1.3425	1.343	3.543	0.94	0.335	7/16-20x7/16	14000	8800
HC214 -44	HCR214 -44	2 3/4	125.000	85.7	68.20	29.00	2.50	34.100	34.10	90.00	23.8	8.50	M12xP1.5		
HC214 -70mm	HCR214 -70mm	70mm													
HC215 -45	HCR215 -45	2 13/16													
HC215 -46	HCR215 -46	2 7/8	5.1181	3.63	2.937	1.181	0.098	1.4685	1.469	4.000	0.94	0.335	7/16-20x7/16	14830	9750
HC215 -47	HCR215 -47	2 15/16	130.000	92.1	74.60	30.00	2.50	37.300	37.30	101.60	23.8	8.50	M12xP1.5		
HC215 -48	HCR215 -48	3													
HC215 -75mm	HCR215 -75mm	75mm													

HCR series can be made with relubrication feature:
Example: HCR205-16-GO.

Standard Mounted Units



Insert Bearings For Units

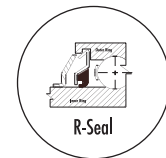
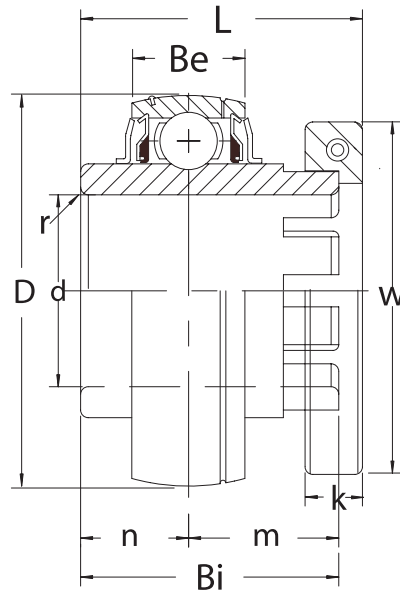
GR200 Series GRIP-IT 360 Degree Locking

- Standard load capacity
- Wide inner ring with spherical outer ring
- Relubrication groove with oil hole on locking collar side
- Anti-rotation pin on side opposite grease groove
- Black oxide plated inner and outer rings
- Standard seal: R-Seal



Triple lip seal and other options: See page 85

Unit No.	Dimensions <small>in mm</small>											Load Rating (Lbs.)	
	Shaft Diam.	D	L	Bi	Be	r	n	m	W	K	ds (UNF-Thread)	Dynamic	Static
GR201 -8 GR202 -10	1/2 5/8	1.8504 47.000	1.37 34.9	1.220 31.00	0.591 15.00	0.059 1.50	0.5000 12.700	0.720 18.30	1.756 44.60	0.37 9.5	8-32x5/8	2900	1410
GR204 -12 GR204 -13 GR204 -20mm	3/4 13/16 20mm	1.8504 47.000	1.37 34.9	1.220 31.00	0.591 15.00	0.059 1.50	0.5000 12.700	0.720 18.30	1.756 44.60	0.37 9.5	8-32x5/8	2900	1410
GR205 -13 GR205 -14 GR205 -15 GR205 -16 GR205 -25mm	13/16 7/8 15/16 1 25mm	2.0472 52.000	1.51 38.4	1.358 34.50	0.591 15.00	0.059 1.50	0.5630 14.300	0.795 20.20	1.937 49.20	0.37 9.5	8-32x5/8	3150	1610
GR206 -17 GR206 -18 GR206 -19 GR206 -20 GR206 -30mm	1 1/16 1 1/8 1 3/16 1 1/4(s) 30mm	2.4409 62.000	1.65 41.9	1.500 38.10	0.709 18.00	0.059 1.50	0.6260 15.900	0.874 22.20	2.185 55.50	0.37 9.3	8-32x5/8	4370	2320
GR207 -20 GR207 -21 GR207 -22 GR207 -23 GR207 -35mm	1 1/4 1 5/16 1 3/8 1 7/16 35mm	2.8346 72.000	1.87 47.5	1.689 42.90	0.748 19.00	0.079 2.00	0.6890 17.500	1.000 25.40	2.575 65.40	0.44 11.2	10-24x3/4	5770	3150
GR208 -24 GR208 -25 GR208 -40mm	1 1/2 1 9/16 40mm	3.1496 80.000	2.11 53.7	1.937 49.20	0.866 22.00	0.079 2.00	0.7480 19.000	1.189 30.20	2.693 68.40	0.43 11.0	10-24x3/4	7340	3650



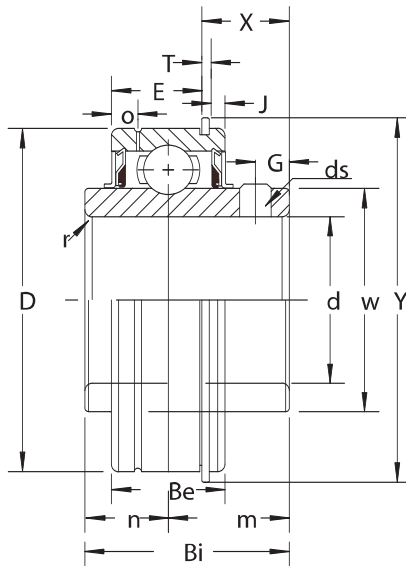
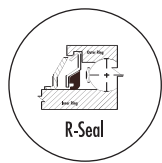
Unit No.	Shaft Diam.	Dimensions ⁱⁿ / _{mm}										Load Rating (Lbs.)				
		D	L	Bi	Be	r	n	m	W	K	ds (UNF-Thread)	Dynamic	Static			
GR209 -26	1 5/8															
GR209 -27	1 11/16	3.3465	2.12	1.937	0.866	0.079	0.7480	1.189	2.933	0.45	10-24x3/4	7350	4150			
GR209 -28	1 3/4	85.000	53.9	49.20	22.00	2.00	19.000	30.20	74.50	11.5						
GR209 -45mm	45mm															
GR210 -29	1 13/16										1/4-20x1	7880	4650			
GR210 -30	1 7/8	3.5433	2.27	2.031	0.866	0.079	0.7480	1.283	3.386	0.57						
GR210 -31	1 15/16	90.000	57.6	51.60	22.00	2.00	19.000	32.60	86.00	14.5						
GR210 -32	2(s)															
GR210 -50mm	50mm															
GR211 -32	2										1/4-20x1	9740	5850			
GR211 -33	2 1/16	3.9370	2.43	2.189	0.984	0.098	0.8740	1.315	3.504	0.58						
GR211 -34	2 1/8	100.000	61.7	55.60	25.00	2.50	22.200	33.40	89.00	14.8						
GR211 -35	2 3/16															
GR211 -55mm	55mm															
GR212 -36	2 1/4										5/16-18x1	11780	7250			
GR212 -37	2 5/16	4.3307	2.85	2.563	1.063	0.098	1.0000	1.563	4.055	0.69						
GR212 -38	2 3/8	110.000	72.3	65.10	27.00	2.50	25.400	39.70	103.00	17.5						
GR212 -39	2 7/16															
GR212 -60mm	60mm															
GR213 -40	2 1/2	4.7244	2.85	2.563	1.063	0.098	1.0000	1.563	4.114	0.69	5/16-18x1	13980	8000			
GR213 -41	2 9/16	120.000	72.3	65.10	27.00	2.50	25.400	39.70	104.50	17.5						
GR213 -65mm	65mm															
GR214 -42	2 5/8										5/16-18x1	14000	8800			
GR214 -43	2 11/16	4.9213	3.22	2.937	1.142	0.098	1.1890	1.748	4.390	0.69						
GR214 -44	2 3/4	125.000	81.8	74.60	29.00	2.50	30.200	44.40	111.50	17.5						
GR214 -70mm	70mm															
GR215 -46	2 7/8										3/8-16x1.5	14830	9750			
GR215 -47	2 15/16	5.1181	3.36	3.063	1.181	0.098	1.3110	1.752	4.646	0.71						
GR215 -48	3	130.000	85.3	77.80	30.00	2.50	33.300	44.50	118.00	18.0						
GR215 -75mm	75mm															

Standard Mounted Units



Insert Bearings

SER Series Set Screw Locking



Popular series used in many roller applications
 Standard load capacity
 Wide inner ring with cylindrical outer ring and snap ring
 Relubrication groove with oil hole on side opposite of set screws
 Nylon patched class 3A set screws are standard
 Standard seal: R-Seal

Triple lip seal and other options: See page 85

Dimensions in mm

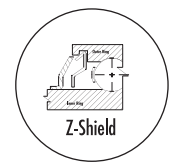
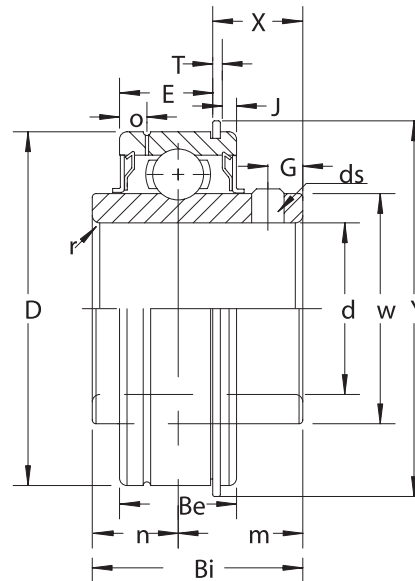
Unit No.	Shaft Diam.	D	Bi	Be	n	m	E	W	o	T	J	G	Y	X	ds (UNF-Thread)	Load Rating (Lbs.)		
																Dynamic	Static	
SER -8	1/2																	
SER -9	9/16																	
SER -10	5/8	1.8504	1.220	0.626	0.4528	0.768	0.48	1.130	0.157	0.05	0.10	0.197	2.07	0.60	1/4-28x1/4	2900	1410	
SER -11	11/16	47.000	31.00	15.90	11.500	19.50	12.1	28.70	4.00	1.35	2.46	5.00	52.70	15.36	M6XP1.0			
SER -12	3/4																	
SER -20mm	20mm																	
SER -14	7/8																	
SER -15	15/16	2.0472	1.374	0.752	0.5157	0.858	0.60	1.327	0.205	0.05	0.10	0.220	2.28	0.63	1/4-28x1/4	3150	1610	
SER -16	1	52.000	34.90	19.10	13.100	21.80	15.3	33.70	5.20	1.35	2.46	5.60	57.90	16.06	M6XP1.0			
SER -25mm	25mm																	
SER -17	1 1/16																	
SER -18	1 1/8																	
SER -19	1 3/16	2.4409	1.500	0.874	0.6260	0.874	0.67	1.567	0.220	0.07	0.13	0.220	2.67	0.64	1/4-28x1/4	4370	2320	
SER -20S	1 1/4(s)	62.000	38.10	22.20	15.900	22.20	17.0	39.80	5.60	1.90	3.28	5.60	67.70	16.28	M6XP1.0			
SER -30mm	30mm																	
SER -20	1 1/4																	
SER -21	1 5/16																	
SER -22	1 3/8	2.8346	1.689	0.937	0.6890	1.000	0.73	1.843	0.220	0.07	0.13	0.252	3.09	0.74	5/16-24x5/16	5770	3150	
SER -23	1 7/16	72.000	42.90	23.80	17.500	25.40	18.6	46.80	5.60	1.90	3.28	6.40	78.60	18.68	M8XP1.0			
SER -35mm	35mm																	
SER -24	1 1/2																	
SER -25	1 9/16	3.1496	1.937	1.094	0.7480	1.189	0.89	2.067	0.252	0.07	0.13	0.315	3.41	0.85	5/16-24x5/16	7340	3650	
SER -40mm	40mm	80.000	49.20	27.80	19.000	30.20	22.6	52.50	6.40	1.90	3.28	8.00	86.60	21.48	M8XP1.0			
SER -26	1 5/8																	
SER -27	1 11/16																	
SER -28	1 3/4	3.3465	1.937	1.094	0.7480	1.189	0.89	2.256	0.252	0.07	0.13	0.315	3.61	0.85	5/16-24x5/16	7350	4150	
SER -45mm	45mm	85.000	49.20	27.80	19.000	30.20	22.6	57.30	6.40	1.90	3.28	8.00	91.60	21.48	M8XP1.0			
SER -30	1 7/8																	
SER -31	1 15/16																	
SER -32S	2 (s)	3.5433	2.031	1.126	0.7480	1.283	0.89	2.445	0.295	0.11	0.13	0.374	3.80	0.96	3/8-24x3/8	7880	4650	
SER -50mm	50mm	90.000	51.60	28.60	19.000	32.60	22.6	62.10	7.50	2.70	3.28	9.50	96.50	24.28	M10XP1.25			
SER -32	2																	
SER -34	2 1/8																	
SER -35	2 3/16	3.9370	2.189	1.189	0.8740	1.315	0.95	2.756	0.295	0.11	0.13	0.374	4.19	0.96	3/8-24x3/8	9740	5850	
SER -55mm	55mm	100.000	55.60	30.20	22.200	33.40	24.2	70.00	7.50	2.70	3.28	9.50	106.50	24.28	M10XP1.25			
SER -36	2 1/4																	
SER -38	2 3/8																	
SER -39	2 7/16	4.3307	2.563	1.252	1.0000	1.563	1.02	3.031	0.295	0.11	0.13	0.437	4.59	1.17	3/8-24x3/8	11780	7250	
SER -60mm	60mm	110.000	65.10	31.80	25.400	39.70	25.8	77.00	7.50	2.70	3.28	11.10	116.60	29.78	M10XP1.25			
SER -40	2 1/2																	
SER -43	2 11/16																	
SER -70mm	70mm	4.9213	2.752	1.374	1.0630	1.689	1.09	3.425	0.311	0.12	0.16	0.437	5.30	1.28	3/8-24x3/8	13980	8000	
		125.000	69.90	34.90	27.000	42.90	27.7	87.00	7.90	3.10	4.06	11.10	134.70	32.61	M10XP1.25			
SER -46	2 7/8																	
SER -47	2 15/16																	
SER -75mm	75mm	5.1181	3.063	1.500	1.3110	1.752	1.22	3.602	0.394	0.12	0.16	0.437	5.50	1.28	7/16-20x7/16	14000	8800	
		130.000	77.80	38.10	33.300	44.50	30.9	91.50	10.00	3.10	4.06	11.10	139.70	32.61	M12XP1.5			
SER -55	3 7/16																	
		5.9055	3.374	1.937	1.3425	2.031	1.62	4.134	0.441	0.12	0.19	0.472	6.29	1.38	7/16-20x7/16	17680	11600	
		150.000	85.70	49.20	34.100	51.60	41.2	105.00	11.20	3.10	4.90	12.00	159.70	35.00	M12XP1.5			

Insert Bearings

SER-ZSFF & SER-ZMKFF Free Spinning Series Set Screw Locking



- ZSFF Series has oil lubrication only while ZMKFF is manufactured with light grease fill to ensure "free running/low drag"
- Standard load capacity
- Wide inner ring with cylindrical outer ring and snap ring
- Relubrication groove with oil hole on side opposite of set screws
- Black oxide plated inner and outer rings
- Nylon patched class 3A set screws are standard
- Standard seal: 'Z' - non contact shields with slinger cover



Options seals: See page 85

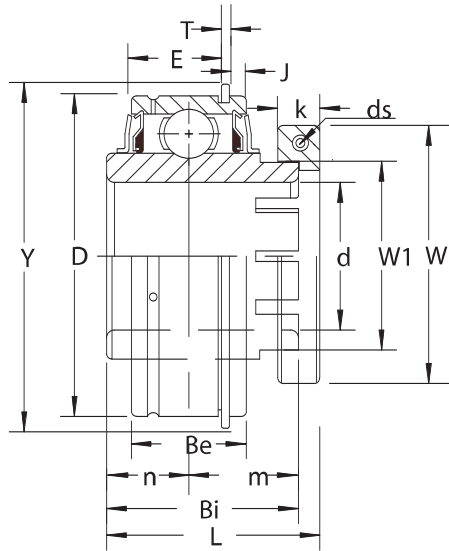
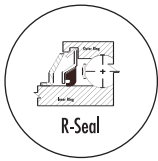
Unit No.		Dimensions ⁱⁿ _{mm}															Load Rating (Lbs.)	
		Shaft Diam.	D	Bi	Be	n	m	E	W	o	T	J	G	Y	X	ds (UNF-Thread)	Dynamic	Static
SER -8-ZSFF	SER -8-ZMKFF	1/2																
SER -9-ZSFF	SER -9-ZMKFF	9/16																
SER -10-ZSFF	SER -10-ZMKFF	5/8	1.8504	1.220	0.626	0.4528	0.768	0.48	1.130	0.157	0.05	0.10	0.197	2.07	0.60	1/4-28x1/4	2900	1410
SER -11-ZSFF	SER -11-ZMKFF	11/16	47.000	31.00	15.90	11.500	19.50	12.1	28.70	4.00	1.35	2.46	5.00	52.70	15.36	M6XP1.0		
SER -12-ZSFF	SER -12-ZMKFF	3/4																
SER -20mm-ZSFF	SER -20mm-ZMKFF	20mm																
SER -14-ZSFF	SER -14-ZMKFF	7/8																
SER -15-ZSFF	SER -15-ZMKFF	15/16	2.0472	1.374	0.752	0.5157	0.858	0.60	1.327	0.205	0.05	0.10	0.220	2.28	0.63	1/4-28x1/4	3150	1610
SER -16-ZSFF	SER -16-ZMKFF	1	52.000	34.90	19.10	13.100	21.80	15.3	33.70	5.20	1.35	2.46	5.60	57.90	16.06	M6XP1.0		
SER -25mm-ZSFF	SER -25mm-ZMKFF	25mm																
SER -17-ZSFF	SER -17-ZMKFF	1 1/16																
SER -18-ZSFF	SER -18-ZSFF	1 1/8																
SER -19-ZSFF	SER -19-ZMKFF	1 3/16	2.4409	1.500	0.874	0.6260	0.874	0.67	1.567	0.220	0.07	0.13	0.220	2.67	0.64	1/4-28x1/4	4370	2320
SER -20S-ZSFF	SER -20S-ZMKFF	1 1/4(s)	62.000	38.10	22.20	15.900	22.20	17.0	39.80	5.60	1.90	3.28	5.60	67.70	16.28	M6XP1.0		
SER -30mm-ZSFF	SER -30mm-ZMKFF	30mm																
SER -20-ZSFF	SER -20-ZMKFF	1 1/4																
SER -21-ZSFF	SER -21-ZMKFF	1 5/16																
SER -22-ZSFF	SER -22-ZMKFF	1 3/8	2.8346	1.689	0.937	0.6890	1.000	0.73	1.843	0.220	0.07	0.13	0.252	3.09	0.74	5/16-24x5/16	5770	3150
SER -23-ZSFF	SER -23-ZMKFF	1 7/16	72.000	42.90	23.80	17.500	25.40	18.6	46.80	5.60	1.90	3.28	6.40	78.60	18.68	M8XP1.0		
SER -35mm-ZSFF	SER -35mm-ZMKFF	35mm																
SER -24-ZSFF	SER -24-ZMKFF	1 1/2																
SER -25-ZSFF	SER -25-ZMKFF	1 9/16	3.1496	1.937	1.094	0.7480	1.189	0.89	2.067	0.252	0.07	0.13	0.315	3.41	0.85	5/16-24x5/16	7340	3650
SER -40mm-ZSFF	SER -40mm-ZMKFF	40mm	80.000	49.20	27.80	19.000	30.20	22.6	52.50	6.40	1.90	3.28	8.00	86.60	21.48	M8XP1.0		
SER -26-ZSFF	SER -26-ZMKFF	1 5/8																
SER -27-ZSFF	SER -27-ZMKFF	1 11/16	3.3465	1.937	1.094	0.7480	1.189	0.89	2.256	0.252	0.07	0.13	0.315	3.61	0.85	5/16-24x5/16	7350	4150
SER -28-ZSFF	SER -28-ZMKFF	1 3/4	85.000	49.20	27.80	19.000	30.20	22.6	57.30	6.40	1.90	3.28	8.00	91.60	21.48	M8XP1.0		
SER -45mm-ZSFF	SER -45mm-ZMKFF	45mm																
SER -30-ZSFF	SER -30-ZMKFF	1 7/8																
SER -31-ZSFF	SER -31-ZMKFF	1 15/16	3.5433	2.031	1.126	0.7480	1.283	0.89	2.445	0.295	0.11	0.13	0.374	3.80	0.96	3/8-24x3/8	7880	4650
SER -32S-ZSFF	SER -32S-ZMKFF	2 (s)	90.000	51.60	28.60	19.000	32.60	22.6	62.10	7.50	2.70	3.28	9.50	96.50	24.28	M10XP1.25		
SER -50mm-ZSFF	SER -50mm-ZMKFF	50mm																
SER -32-ZSFF	SER -32-ZMKFF	2																
SER -34-ZSFF	SER -34-ZMKFF	2 1/8	3.9370	2.189	1.189	0.8740	1.315	0.95	2.756	0.295	0.11	0.13	0.374	4.19	0.96	3/8-24x3/8	9740	5850
SER -35-ZSFF	SER -35-ZMKFF	2 3/16	100.000	55.60	30.20	22.200	33.40	24.2	70.00	7.50	2.70	3.28	9.50	106.50	24.28	M10XP1.25		
SER -55mm-ZSFF	SER -55mm-ZMKFF	55mm																
SER -36-ZSFF	SER -36-ZMKFF	2 1/4																
SER -38-ZSFF	SER -38-ZMKFF	2 3/8	4.3307	2.563	1.252	1.0000	1.563	1.02	3.031	0.295	0.11	0.13	0.437	4.59	1.17	3/8-24x3/8	11780	7250
SER -39-ZSFF	SER -39-ZMKFF	2 7/16	110.000	65.10	31.80	25.400	39.70	25.8	77.00	7.50	2.70	3.28	11.10	116.60	29.78	M10XP1.25		
SER -60mm-ZSFF	SER -60mm-ZMKFF	60mm																
SER -40-ZSFF	SER -40-ZMKFF	2 1/2																
SER -43-ZSFF	SER -43-ZMKFF	2 11/16	4.9213	2.752	1.374	1.0630	1.689	1.09	3.425	0.311	0.12	0.16	0.437	5.30	1.28	3/8-24x3/8	13980	8000
SER -70mm-ZSFF	SER -70mm-ZMKFF	70mm	125.000	69.90	34.90	27.000	42.90	27.7	87.00	7.90	3.10	4.06	11.10	134.70	32.61	M10XP1.25		
SER -46-ZSFF	SER -46-ZMKFF	2 7/8																
SER -47-ZSFF	SER -47-ZMKFF	2 15/16	5.1181	3.063	1.500	1.3110	1.752	1.22	3.602	0.394	0.12	0.16	0.437	5.50	1.28	7/16-20x7/16	14000	8800
SER -75mm-ZSFF	SER -75mm-ZMKFF	75mm	130.000	77.80	38.10	33.300	44.50	30.9	91.50	10.00	3.10	4.06	11.10	139.70	32.61	M12XP1.5		
SER -55-ZSFF	SER -55-ZMKFF	3 7/16	5.9055	3.374	1.937	1.3425	2.031	1.62	4.134	0.441	0.12	0.19	0.472	6.29	1.38	7/16-20x7/16	17680	11600
			150.000	85.70	49.20	34.100	51.60	41.2	105.00	11.20	3.10	4.90	12.00	159.70	35.00	M12XP1.5		

Standard Mounted Units



Insert Bearings

GER Series GRIP-IT 360 Degree Locking



Popular series used in many roller applications
 Standard load capacity
 Wide inner ring with cylindrical outer ring and snap ring
 Relubrication groove with oil hole on side opposite of locking collar
 Black oxide plated inner and outer rings
 Standard seal: R-Seal

Triple lip seal and other options: See page 85

Unit No.	Shaft Diam.	Dimensions <small>in mm</small>													ds (UNF-Thread)	Load Rating (Lbs.)	
		D	Bi	Be	L	n	m	E	W1	J	T	Y	K	W		Dynamic	Static
GER204 -12 GER204 -20mm	3/4 20mm	1.8504 47.000	1.220 31.00	0.752 19.10	1.37 34.9	0.5000 12.700	0.720 18.30	0.60 15.3	1.130 28.70	0.10 2.46	0.05 1.35	2.07 52.70	0.37 9.5	1.756 44.60	8-32X5/8	2900	1410
GER205 -14 GER205 -15 GER205 -16 GER205 -25mm	7/8 15/16 1 25mm	2.0472 52.000	1.358 34.50	0.752 19.10	1.51 38.4	0.5630 14.300	0.795 20.20	0.60 15.3	1.327 33.70	0.10 2.46	0.05 1.35	2.28 57.90	0.37 9.5	1.937 49.20	8-32X5/8	3150	1610
GER206 -17 GER206 -18 GER206 -19 GER206 -20 GER206 -30mm	1 1/16 1 1/8 1 3/16 1 1/4(s) 30mm	2.4409 62.000	1.500 38.10	0.874 22.20	1.65 41.9	0.6260 15.900	0.874 22.20	0.67 17.0	1.567 39.80	0.13 3.28	0.07 1.90	2.67 67.70	0.37 9.3	2.185 55.50	8-32X5/8	4370	2320
GER207 -20 GER207 -21 GER207 -22 GER207 -23 GER207 -35mm	1 1/4 1 5/16 1 3/8 1 7/16 35mm	2.8346 72.000	1.689 42.90	0.937 23.80	1.87 47.5	0.6890 17.500	1.000 25.40	0.73 18.6	1.843 46.80	0.13 3.28	0.07 1.90	3.09 78.60	0.44 11.2	2.575 65.40	10-24x3/4	5770	3150
GER208 -24 GER208 -25 GER208 -40mm	1 1/2 1 9/16 40mm	3.1496 80.000	1.937 49.20	1.094 27.80	2.11 53.7	0.7480 19.000	1.189 30.20	0.89 22.6	2.067 52.50	0.13 3.28	0.07 1.90	3.41 86.60	0.43 11.0	2.693 68.40	10-24x3/4	7340	3650
GER209 -26 GER209 -27 GER209 -28 GER209 -45mm	1 5/8 1 11/16 1 3/4 45mm	3.3465 85.000	1.937 49.20	1.094 27.80	2.12 53.9	0.7480 19.000	1.189 30.20	0.89 22.6	2.256 57.30	0.13 3.28	0.07 1.90	3.61 91.60	0.45 11.5	2.933 74.50	10-24x3/4	7350	4150
GER210 -30 GER210 -31 GER210 -32 GER210 -50mm	1 7/8 1 15/16 2 (s) 50mm	3.5433 90.000	2.031 51.60	1.126 28.60	2.27 57.6	0.7480 19.000	1.283 32.60	0.89 22.6	2.445 62.10	0.13 3.28	0.11 2.70	3.80 96.50	0.57 14.5	3.386 86.00	1/4-20x1	7880	4650
GER211 -32 GER211 -34 GER211 -35 GER211 -55mm	2 2 1/8 2 3/16 55mm	3.9370 100.000	2.189 55.60	1.189 30.20	2.43 61.7	0.8740 22.200	1.315 33.40	0.95 24.2	2.756 70.00	0.13 3.28	0.11 2.70	4.19 106.50	0.58 14.8	3.504 89.00	1/4-20x1	9740	5850
GER212 -36 GER212 -37 GER212 -38 GER212 -39 GER212 -60mm	2 1/4 2 5/16 2 3/8 2 7/16 60mm	4.3307 110.000	2.563 65.10	1.252 31.80	2.85 72.3	1.0000 25.400	1.563 39.70	1.02 25.8	3.031 77.00	0.13 3.28	0.11 2.70	4.59 116.60	0.69 17.5	4.055 103.00	5/16-18x1	11780	7250

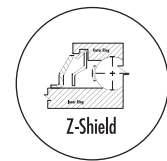
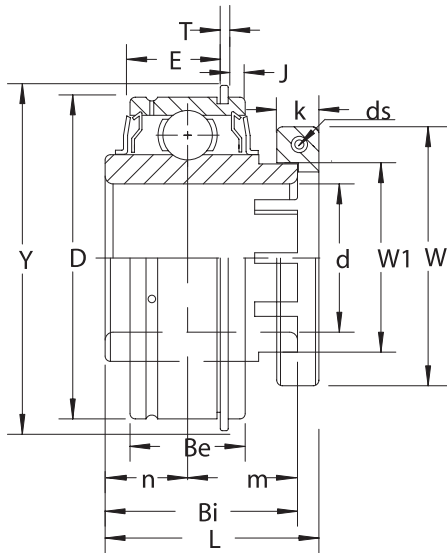
Insert Bearings

GER-ZSFF & GER-ZMKFF Free Spinning Series

GRIP-IT 360 Degree Locking



- ZSFF Series has oil lubrication only while ZMKFF is manufactured with light grease fill to ensure "free running/low drag"
- Standard load capacity
- Wide inner ring with cylindrical outer ring and snap ring
- Relubrication groove with oil hole on side opposite of locking collar
- Black oxide plated inner and outer rings
- Standard seal: 'Z' -non contact shields with slinger cover



Options seals: See page 85

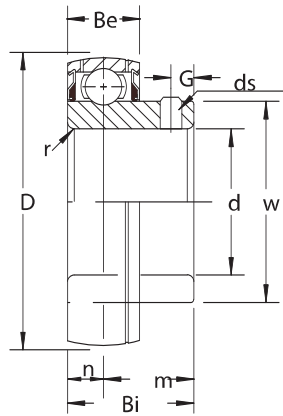
Unit No.		Shaft Diam.	Dimensions ⁱⁿ _{mm}													Load Rating (Lbs.)		
			D	Bi	Be	L	n	m	E	W1	J	T	Y	K	W	ds (UNF-Thread)	Dynamic	Static
GER204-12-ZSFF	GER204-12-ZMKFF	3/4	1.8504	1.220	0.752	1.37	0.5000	0.720	0.60	1.130	0.10	0.05	2.07	0.37	1.756	8-32X5/8	2900	1410
GER204-20mm-ZSFF	GER204-20mm-ZMKFF	20mm	47.000	31.00	19.10	34.9	12.700	18.30	15.3	28.70	2.46	1.35	52.70	9.5	44.60			
GER205-14-ZSFF	GER205-14-ZMKFF	7/8																
GER205-15-ZSFF	GER205-15-ZMKFF	15/16	2.0472	1.358	0.752	1.51	0.5630	0.795	0.60	1.327	0.10	0.05	2.28	0.37	1.937	8-32X5/8	3150	1610
GER205-16-ZSFF	GER205-16-ZMKFF	1	52.000	34.50	19.10	38.4	14.300	20.20	15.3	33.70	2.46	1.35	57.90	9.5	49.20			
GER205-25mm-ZSFF	GER205-25mm-ZMKFF	25mm																
GER206-17-ZSFF	GER206-17-ZMKFF	1 1/16																
GER206-18-ZSFF	GER206-18-ZMKFF	1 1/8	2.4409	1.500	0.874	1.65	0.6260	0.874	0.67	1.567	0.13	0.07	2.67	0.37	2.185	8-32X5/8	4370	2320
GER206-19-ZSFF	GER206-19-ZMKFF	1 3/16	62.000	38.10	22.20	41.9	15.900	22.20	17.0	39.80	3.28	1.90	67.70	9.3	55.50			
GER206-20-ZSFF	GER206-20-ZMKFF	1 1/4(s)																
GER206-30mm-ZSFF	GER206-30mm-ZMKFF	30mm																
GER207-20-ZSFF	GER207-20-ZMKFF	1 1/4																
GER207-21-ZSFF	GER207-21-ZMKFF	1 5/16	2.8346	1.689	0.937	1.87	0.6890	1.000	0.73	1.843	0.13	0.07	3.09	0.44	2.575	10-24x3/4	5770	3150
GER207-22-ZSFF	GER207-22-ZMKFF	1 3/8	72.000	42.90	23.80	47.5	17.500	25.40	18.6	46.80	3.28	1.90	78.60	11.2	65.40			
GER207-23-ZSFF	GER207-23-ZMKFF	1 7/16																
GER207-35mm-ZSFF	GER207-35mm-ZMKFF	35mm																
GER208-24-ZSFF	GER208-24-ZMKFF	1 1/2	3.1496	1.937	1.094	2.11	0.7480	1.189	0.89	2.067	0.13	0.07	3.41	0.43	2.693	10-24x3/4	7340	3650
GER208-25-ZSFF	GER208-25-ZMKFF	1 9/16	80.000	49.20	27.80	53.7	19.000	30.20	22.6	52.50	3.28	1.90	86.60	11.0	68.40			
GER208-40mm-ZSFF	GER208-40mm-ZMKFF	40mm																
GER209-26-ZSFF	GER209-26-ZMKFF	1 5/8																
GER209-27-ZSFF	GER209-27-ZMKFF	1 11/16	3.3465	1.937	1.094	2.12	0.7480	1.189	0.89	2.256	0.13	0.07	3.61	0.45	2.933	10-24x3/4	7350	4150
GER209-28-ZSFF	GER209-28-ZMKFF	1 3/4	85.000	49.20	27.80	53.9	19.000	30.20	22.6	57.30	3.28	1.90	91.60	11.5	74.50			
GER209-45mm-ZSFF	GER209-45mm-ZMKFF	45mm																
GER210-30-ZSFF	GER210-30-ZMKFF	1 7/8																
GER210-31-ZSFF	GER210-31-ZMKFF	1 15/16	3.5433	2.031	1.126	2.27	0.7480	1.283	0.89	2.445	0.13	0.11	3.80	0.57	3.386	1/4-20x1	7880	4650
GER210-32-ZSFF	GER210-32-ZMKFF	2 (s)	90.000	51.60	28.60	57.6	19.000	32.60	22.6	62.10	3.28	2.70	96.50	14.5	86.00			
GER210-50mm-ZSFF	GER210-50mm-ZMKFF	50mm																
GER211-32-ZSFF	GER211-32-ZMKFF	2																
GER211-34-ZSFF	GER211-34-ZMKFF	2 1/8	3.9370	2.189	1.189	2.43	0.8740	1.315	0.95	2.756	0.13	0.11	4.19	0.58	3.504	1/4-20x1	9740	5850
GER211-35-ZSFF	GER211-35-ZMKFF	2 3/16	100.000	55.60	30.20	61.7	22.200	33.40	24.2	70.00	3.28	2.70	106.50	14.8	89.00			
GER211-55mm-ZSFF	GER211-55mm-ZMKFF	55mm																
GER212-36-ZSFF	GER212-36-ZMKFF	2 1/4																
GER212-37-ZSFF	GER212-37-ZMKFF	2 5/16	4.3307	2.563	1.252	2.85	1.0000	1.563	1.02	3.031	0.13	0.11	4.59	0.69	4.055	5/16-18x1	11780	7250
GER212-38-ZSFF	GER212-38-ZMKFF	2 3/8	110.000	65.10	31.80	72.3	25.400	39.70	25.8	77.00	3.28	2.70	116.60	17.5	103.00			
GER212-39-ZSFF	GER212-39-ZMKFF	2 7/16																
GER212-60mm-ZSFF	GER212-60mm-ZMKFF	60mm																

Standard Mounted Units

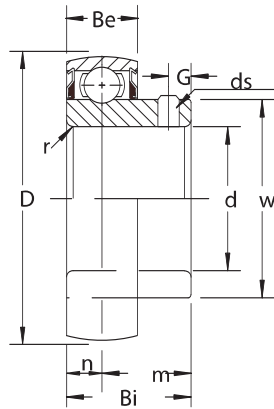


Insert Bearings for Units

FHS200-G / FHS200 Series Set Screw Locking



FHS200-G



FHS200

Standard load capacity
 Narrow inner ring with spherical outer ring
 Relubrication groove with oil hole on set screw side(Shown)
 Oil hole opposite groove makes it interchangeable with all manufacturers (shown)
 Non-relubricatable bearing available (omit "G" from bearing part number)
 Nylon patched class 3A set screws are standard
 Standard seal: RST tight riding, full cover, metal shroud seals

Optional seals: See page 85

Dimensions in mm

Unit No.	Shaft Diam.	D	Bi	Be	r	n	m	G	W	ds (UNF-Thread)	Load Rating (Lbs.)	
											Dynamic	Static
FHS201 -8G	1/2											
FHS201 -12mmG	12mm											
FHS202 -9G	9/16	1.5748	0.886	0.512	0.031	0.2559	0.630	0.197	0.969	1/4-28x3/16	2160	889
FHS202 -10G	5/8	40.000	22.50	13.00	0.80	6.500	16.00	5.00	24.60	M6xP1.0		
FHS202 -15mmG	15mm											
FHS203 -11G	11/16											
FHS203 -17mmG	17mm											
FHS204 -12G	3/4	1.8504	0.984	0.591	0.059	0.2953	0.689	0.177	1.130	1/4-28x1/4	2900	1410
FHS204 -13G	13/16	47.000	25.00	15.00	1.50	7.500	17.50	4.50	28.70	M6xP1.0		
FHS204 -20mmG	20mm											
FHS205 -12G	3/4											
FHS205 -13G	13/16	2.0472	1.063	0.591	0.039	0.2953	0.768	0.197	1.327	1/4-28x1/4	3150	1610
FHS205 -14G	7/8	52.000	27.00	15.00	1.00	7.500	19.50	5.00	33.70	M6xP1.0		
FHS205 -15G	15/16											
FHS205 -16G	1											
FHS205 -25mmG	25mm											
FHS206 -17G	1 1/16											
FHS206 -18G	1 1/8	2.4409	1.181	0.709	0.059	0.3543	0.827	0.285	1.567	5/16-24x5/16	4370	2320
FHS206 -19G	1 3/16	62.000	30.00	18.00	1.50	9.000	21.00	7.24	39.80	M8xP1.0		
FHS206 -20G	1 1/4(s)											
FHS206 -30mmG	30mm											
FHS207 -20G	1 1/4											
FHS207 -21G	1 5/16	2.8346	1.260	0.748	0.079	0.3740	0.886	0.276	1.843	5/16-24x5/16	5770	3150
FHS207 -22G	1 3/8	72.000	32.00	19.00	2.00	9.500	22.50	7.00	46.80	M8xP1.0		
FHS207 -23G	1 7/16											
FHS207 -35mmG	35mm											
FHS208 -24G	1 1/2											
FHS208 -25G	1 9/16	3.1496	1.496	0.866	0.079	0.4331	1.063	0.311	2.067	5/16-24x5/16	7340	3650
FHS208 -40mmG	40mm	80.000	38.00	22.00	2.00	11.000	27.00	7.90	52.50	M8xP1.0		
FHS209 -26G	1 5/8											
FHS209 -27G	1 11/16	3.3465	1.555	0.866	0.079	0.4331	1.122	0.315	2.256	5/16-24x5/16	7350	4150
FHS209 -28G	1 3/4	85.000	39.50	22.00	2.00	11.000	28.50	8.00	57.30	M8xP1.0		
FHS209 -45mm	45mm											
FHS210 -29G	1 13/16											
FHS210 -30G	1 7/8	3.5433	1.717	0.866	0.079	0.4331	1.283	0.394	2.445	3/8-24x3/8	7880	4650
FHS210 -31G	1 15/16	90.000	43.60	22.00	2.00	11.000	32.60	10.00	62.10	M10xP1.25		
FHS210 -32G	2											
FHS210 -50mmG	50mm											
FHS211 -32G	2											
FHS211 -33G	2 1/16	3.9370	1.807	0.984	0.098	0.4921	1.315	0.394	2.756	3/8-24x3/8	9740	5850
FHS211 -34G	2 1/8	100.000	45.90	25.00	2.50	12.500	33.40	10.00	70.00	M10xP1.25		
FHS211 -35G	2 3/16											
FHS211 -55mm	55mm											

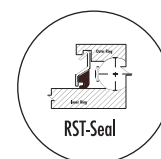
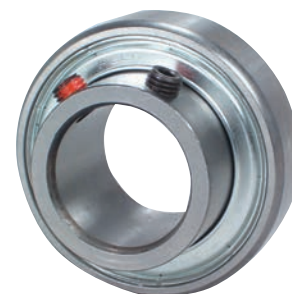
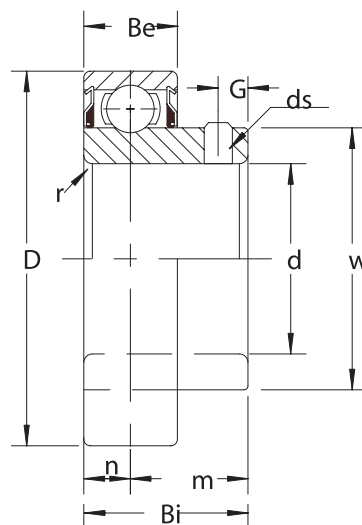
Insert Bearings

FHSR200 Series Set Screw Locking



- Standard load capacity
- Narrow inner ring with cylindrical outer ring
- Non-relubricatable bearing is standard (shown)
- Nylon patched class 3A set screws are standard
- Standard seal: RST tight riding, full cover, metal shroud seals

Optional seals: See page 85



Unit No.	Shaft Diam.	Dimensions <small>in mm</small>									Load Rating (Lbs.)	
		D	Bi	Be	r	n	m	G	W	ds (UNF-Thread)	Dynamic	Static
		FHSR201 -8 FHSR201 -12mm FHSR202 -9 FHSR202 -10 FHSR202 -15mm FHSR203 -11 FHSR203 -17mm	1/2 12mm 9/16 5/8 15mm 11/16 17mm	1.5748 40.000	0.886 22.50	0.512 13.00	0.031 0.80	0.2559 6.500	0.630 16.00	0.197 5.00	0.969 24.60	1/4-28x3/16 M6xP1.0
FHSR204 -12 FHSR204 -13 FHSR204 -20mm	3/4 13/16 20mm	1.8504 47.000	0.984 25.00	0.591 15.00	0.059 1.50	0.2953 7.500	0.689 17.50	0.177 4.50	1.130 28.70	1/4-28x1/4 M6xP1.0	2900	1410
FHSR205 -12 FHSR205 -13 FHSR205 -14 FHSR205 -15 FHSR205 -16 FHSR205 -25mm	3/4 13/16 7/8 15/16 1 25mm	2.0472 52.000	1.063 27.00	0.591 15.00	0.039 1.00	0.2953 7.500	0.768 19.50	0.197 5.00	1.327 33.70	1/4-28x1/4 M6xP1.0	3150	1610
FHSR206 -17 FHSR206 -18 FHSR206 -19 FHSR206 -20 FHSR206 -30mm	1 1/16 1 1/8 1 3/16 1 1/4(s) 30mm	2.4409 62.000	1.181 30.00	0.709 18.00	0.059 1.50	0.3543 9.000	0.827 21.00	0.285 7.24	1.567 39.80	5/16-24x5/16 M8xP1.0	4370	2320
FHSR207 -20 FHSR207 -21 FHSR207 -22 FHSR207 -23 FHSR207 -35mm	1 1/4 1 5/16 1 3/8 1 7/16 35mm	2.8346 72.000	1.260 32.00	0.748 19.00	0.079 2.00	0.3740 9.500	0.886 22.50	0.276 7.00	1.843 46.80	5/16-24x5/16 M8xP1.0	5770	3150
FHSR208 -24 FHSR208 -25 FHSR208 -40mm	1 1/2 1 9/16 40mm	3.1496 80.000	1.496 38.00	0.866 22.00	0.079 2.00	0.4331 11.000	1.063 27.00	0.311 7.90	2.067 52.50	5/16-24x5/16 M8xP1.0	7340	3650
FHSR209 -26 FHSR209 -27 FHSR209 -28 FHSR209 -45mm	1 5/8 1 11/16 1 3/4 45mm	3.3465 85.000	1.555 39.50	0.866 22.00	0.079 2.00	0.4331 11.000	1.122 28.50	0.315 8.00	2.256 57.30	5/16-24x5/16 M8xP1.0	7350	4150
FHSR210 -29 FHSR210 -30 FHSR210 -31 FHSR210 -32 FHSR210 -50mm	1 13/16 1 7/8 1 15/16 2 50mm	3.5433 90.000	1.717 43.60	0.866 22.00	0.079 2.00	0.4331 11.000	1.283 32.60	0.394 10.00	2.445 62.10	3/8-24x3/8 M10xP1.25	7880	4650
FHSR211 -32 FHSR211 -33 FHSR211 -34 FHSR211 -35 FHSR211 -55mm	2 2 1/16 2 1/8 2 3/16 55mm	3.9370 100.000	1.807 45.90	0.984 25.00	0.098 2.50	0.4921 12.500	1.315 33.40	0.394 10.00	2.756 70.00	3/8-24x3/8 M10xP1.25	9740	5850

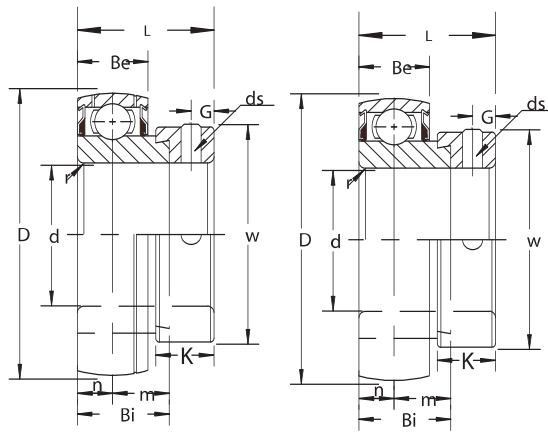
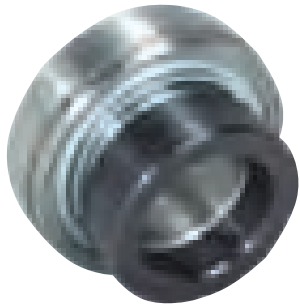
Standard Mounted Units

1. FHSR series can be made with relubrication feature: Example: FHSR205-16G
2. Bearings also available with snap ring installed on the outer race. To order, add suffix 'NR': Example: FHSR205-16NR.



Insert Bearings for Units

FH200-G / FH200 Series Eccentric Locking Collar



FH200-G

FH200

Standard load capacity
 Narrow inner ring with spherical outer ring
 Relubrication groove with oil hole on locking collar side (shown)
 Oil hole opposite groove makes it interchangeable with all manufacturers (shown)
 Non-relubricatable bearing available (omit "G" from bearing part number)
 Nylon patched class 3A set screw in collar is standard
 Standard seal: RST tight riding, full cover, metal shroud seals

Optional seals: See page 85

Unit No.	Shaft Diam.	D	L	Bi	Be	r	n	m	W	K	G	ds (UNF-Thread)	Load Rating (Lbs.)	
													Dynamic	Static
FH201 -8G FH201 -12mmG FH202 -9G FH202 -10G FH202 -15mmG FH203 -11G FH203 -17mmG	1/2 12mm 9/16 5/8 15mm 11/16 17mm	1.5748 40.000	1.13 28.6	0.750 19.05	0.512 13.00	0.031 0.80	0.2559 6.500	0.494 12.55	1.126 28.60	0.53 13.5	0.197 5.00	1/4-28x1/4 M6xP1.0	2160	889
FH204 -12G FH204 -13G FH204 -20mmG	3/4 13/16 20mm	1.8504 47.000	1.22 31.0	0.843 21.41	0.591 15.00	0.059 1.50	0.2953 7.500	0.548 13.91	1.260 32.00	0.53 13.5	0.189 4.80	1/4-28x1/4 M6xP1.0	2900	1410
FH205 -12G FH205 -13G FH205 -14G FH205 -15G FH205 -16G FH205 -25mmG	3/4 13/16 7/8 15/16 1 25mm	2.0472 52.000	1.22 31.0	0.846 21.50	0.591 15.00	0.059 1.50	0.2953 7.500	0.551 14.00	1.500 38.10	0.53 13.5	0.189 4.80	1/4-28x1/4 M6xP1.0	3150	1610
FH206 -17G FH206 -18G FH206 -19G FH206 -20G FH206 -30mmG	1 1/16 1 1/8 1 3/16 1 1/4(s) 30mm	2.4409 62.000	1.41 35.7	0.938 23.82	0.709 18.00	0.059 1.50	0.3543 9.000	0.583 14.82	1.752 44.50	0.63 15.9	0.285 7.24	5/16-24x5/16 M8xP1.0	4370	2320
FH207 -20G FH207 -21G FH207 -22G FH207 -23G FH207 -35mmG	1 1/4 1 5/16 1 3/8 1 7/16 35mm	2.8346 72.000	1.53 38.9	1.000 25.40	0.748 19.00	0.079 2.00	0.3740 9.500	0.626 15.90	2.189 55.60	0.69 17.5	0.256 6.50	3/8-24x3/8 M10xP1.25	5770	3150
FH208 -24G FH208 -25G FH208 -40mmG	1 1/2 1 9/16 40mm	3.1496 80.000	1.72 43.7	1.188 30.18	0.866 22.00	0.079 2.00	0.4331 11.000	0.755 19.18	2.378 60.40	0.72 18.3	0.276 7.00	3/8-24x3/8 M10xP1.25	7340	3650
FH209 -26G FH209 -27G FH209 -28G FH209 -45mmG	1 5/8 1 11/16 1 3/4 45mm	3.3465 85.000	1.72 43.7	1.188 30.18	0.866 22.00	0.079 2.00	0.4331 11.000	0.755 19.18	2.500 63.50	0.72 18.3	0.276 7.00	3/8-24x3/8 M10xP1.25	7350	4150
FH210 -29G FH210 -30G FH210 -31G FH210 -32G FH210 -50mmG	1 13/16 1 7/8 1 15/16 2(s) 50mm	3.5433 90.000	1.72 43.7	1.188 30.18	0.866 22.00	0.079 2.00	0.4331 11.000	0.755 19.18	2.752 69.90	0.72 18.3	0.256 6.50	3/8-24x3/8 M10xP1.25	7880	4650
FH211 -32G FH211 -33G FH211 -34G FH211 -35G FH211 -55mmG	2 2 1/16 2 1/8 2 3/16 55mm	3.9370 100.000	1.91 48.4	1.280 32.50	0.984 25.00	0.098 2.50	0.4921 12.500	0.787 20.00	3.000 76.20	0.81 20.6	0.315 8.00	7/16-20x7/16 M12xP1.25	9740	5850
FH212 -36G FH212 -39G	2 1/4 2 7/16	4.3307 110.000	1.94 49.3	1.319 33.50	1.063 27.00	0.098 2.50	0.5315 13.500	0.787 20.00	3.315 84.20	0.88 22.3	0.315 8.00	7/16-20x7/16 M12xP1.25	11780	7250

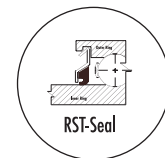
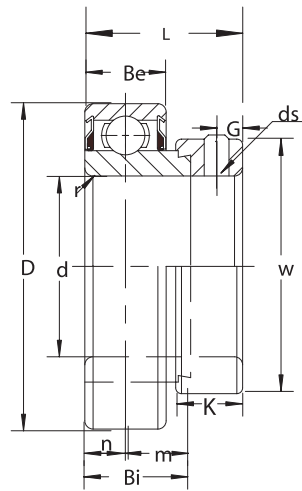
Insert Bearings

FHR200 Series Eccentric Locking Collar



- Standard load capacity
- Narrow inner ring with cylindrical outer ring
- Non-relubricatable bearing is standard (shown)
- Nylon patched class 3A set screw is standard in collar
- Standard seal: RST tight riding, full cover, metal shroud seals

Optional seals: See page 85



FHR200

Unit No.	Shaft Diam.	Dimensions ⁱⁿ / _{mm}											Load Rating (Lbs.)			
		D	L	Bi	Be	r	n	m	W	K	G	ds (UNF-Thread)	Dynamic	Static		
FHR201 -8	1/2															
FHR201 -12mm	12mm															
FHR202 -9	9/16	1.5748	1.13	0.750	0.512	0.031	0.2559	0.494	1.126	0.53	0.197	1/4-28x1/4	2160	889		
FHR202 -10	5/8	40.000	28.6	19.05	13.00	0.80	6.500	12.55	28.60	13.5	5.00	M6xP1.0				
FHR202 -15mm	15mm															
FHR203 -11	11/16															
FHR203 -17mm	17mm															
FHR204 -12	3/4	1.8504	1.22	0.843	0.591	0.059	0.2953	0.548	1.260	0.53	0.189	1/4-28x1/4	2900	1410		
FHR204 -13	13/16	47.000	31.0	21.41	15.00	1.50	7.500	13.91	32.00	13.5	4.80	M6xP1.0				
FHR204 -20mm	20mm															
FHR205 -12	3/4	2.0472	1.22	0.846	0.591	0.059	0.2953	0.551	1.500	0.53	0.189	1/4-28x1/4	3150	1610		
FHR205 -13	13/16	52.000	31.0	21.50	15.00	1.50	7.500	14.00	38.10	13.5	4.80	M6xP1.0				
FHR205 -14	7/8															
FHR205 -15	15/16															
FHR205 -16	1															
FHR205 -25mm	25mm															
FHR206 -17	1 1/16	2.4409	1.41	0.938	0.709	0.059	0.3543	0.583	1.752	0.63	0.285	5/16-24x5/16	4370	2320		
FHR206 -18	1 1/8	62.000	35.7	23.82	18.00	1.50	9.000	14.82	44.50	15.9	7.24	M8xP1.0				
FHR206 -19	1 3/16															
FHR206 -20	1 1/4(s)															
FHR206 -30mm	30mm															
FHR207 -20	1 1/4	2.8346	1.53	1.000	0.748	0.079	0.3740	0.626	2.189	0.69	0.256	3/8-24x3/8	5770	3150		
FHR207 -21	1 5/16	72.000	38.9	25.40	19.00	2.00	9.500	15.90	55.60	17.5	6.50	M10xP1.25				
FHR207 -22	1 3/8															
FHR207 -23	1 7/16															
FHR207 -35mm	35mm															
FHR208 -24	1 1/2	3.1496	1.72	1.188	0.866	0.079	0.4331	0.755	2.378	0.72	0.276	3/8-24x3/8	7340	3650		
FHR208 -25	1 9/16	80.000	43.7	30.18	22.00	2.00	11.000	19.18	60.40	18.3	7.00	M10xP1.25				
FHR208 -40mm	40mm															
FHR209 -26	1 5/8	3.3465	1.72	1.188	0.866	0.079	0.4331	0.755	2.500	0.72	0.276	3/8-24x3/8	7350	4150		
FHR209 -27	1 11/16	85.000	43.7	30.18	22.00	2.00	11.000	19.18	63.50	18.3	7.00	M10xP1.25				
FHR209 -28	1 3/4															
FHR209 -45mm	45mm															
FHR210 -29	1 13/16	3.5433	1.72	1.188	0.866	0.079	0.4331	0.755	2.752	0.72	0.256	3/8-24x3/8	7880	4650		
FHR210 -30	1 7/8	90.000	43.7	30.18	22.00	2.00	11.000	19.18	69.90	18.3	6.50	M10xP1.25				
FHR210 -31	1 15/16															
FHR210 -32	2(s)															
FHR210 -50mm	50mm															
FHR211 -32	2	3.9370	1.91	1.280	0.984	0.098	0.4921	0.787	3.000	0.81	0.315	7/16-20x7/16	9740	5850		
FHR211 -33	2 1/16	100.00	48.4	32.50	25.00	2.50	12.500	20.00	76.20	20.6	8.00	M12xP1.25				
FHR211 -34	2 1/8															
FHR211 -35	2 3/16															
FHR211 -55mm	55mm															
FHR212 -36	2 1/4	4.3307	1.94	1.319	1.063	0.098	0.5315	0.787	3.315	0.88	0.315	7/16-20x7/16	11780	7250		
FHR212 -39	2 7/16	110.00	49.3	33.50	27.00	2.50	13.500	20.00	84.20	22.3	8.00	M12xP1.25				

1. FHR series can be made with relubrication feature: Example: FHR205-16G
2. Bearings also available with snap ring installed on the outer race. To order, add suffix 'NR': Example: FHR205-16NR

Standard Mounted Units

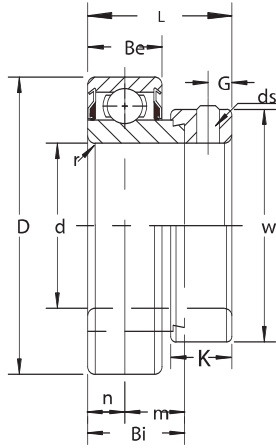


Insert Bearings

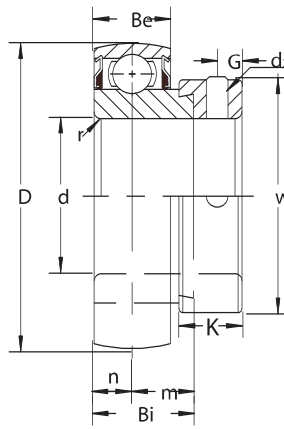
FHRL200 / FHL200 Series Eccentric Locking Collar

Lighter load capacity compared to FHR200 Series
 Narrow inner ring
 Non-relubricatable bearing
 Nylon patched class 3A set screw in collar is standard
 Standard seal: RST tight riding, full cover, metal shroud seals

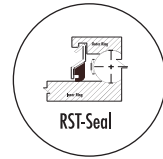
Optional seals: See page 85



FHRL - Cylindrical outer ring



FHL - Spherical outer ring



		Dimensions ⁱⁿ / _{mm}										Load Rating (Lbs.)	
Cylindrical OD Unit No.	Spherical OD Unit No.	Shaft Diam.	D	L	Bi	Be	n	m	W	K	ds (UNF-Thread)	Dynamic	Static
FHRL201 -8	FHL201 -8	1/2	1.3780	0.94	0.6260	0.4331	0.2165	0.4094	1.000	0.44	10-32x1/4	1700	680
FHRL202 -9	FHL202 -9	9/16	35.000	24.0	15.900	11.000	5.500	10.400	25.40	11.1			
FHRL202 -10	FHL202 -10	5/8											
FHRL6004 -12	FHL6004 -12	3/4	1.6535	0.97	0.6575	0.4724	0.2362	0.4213	1.173	0.44	10-32x1/4	2320	1000
FHRL6005 -13	FHL6005 -13	13/16											
FHRL6005 -14	FHL6005 -14	7/8	1.8504	1.00	0.6890	0.4724	0.2362	0.4528	1.421	0.47			
FHRL6005 -15	FHL6005 -15	15/16	47.000	25.4	17.500	12.000	6.000	11.500	36.10	11.9	10-32x1/4	2500	1120
FHRL6005 -16	FHL6005 -16	1											
FHRL6006 -17	FHL6006 -17	1 1/16									10-32x1/4	3350	1560
FHRL6006 -18	FHL6006 -18	1 1/8	2.1654	1.03	0.7205	0.5118	0.2559	0.4646	1.673	0.47			
FHRL6006 -19	FHL6006 -19	1 3/16	55.000	26.2	18.300	13.000	6.500	11.800	42.50	11.9			
FHRL6006 -20	FHL6006 -20	1 1/4											

Corrosion Resistant Material Specifications



All Stainless Steel Units**

Example: SSUCP205-16

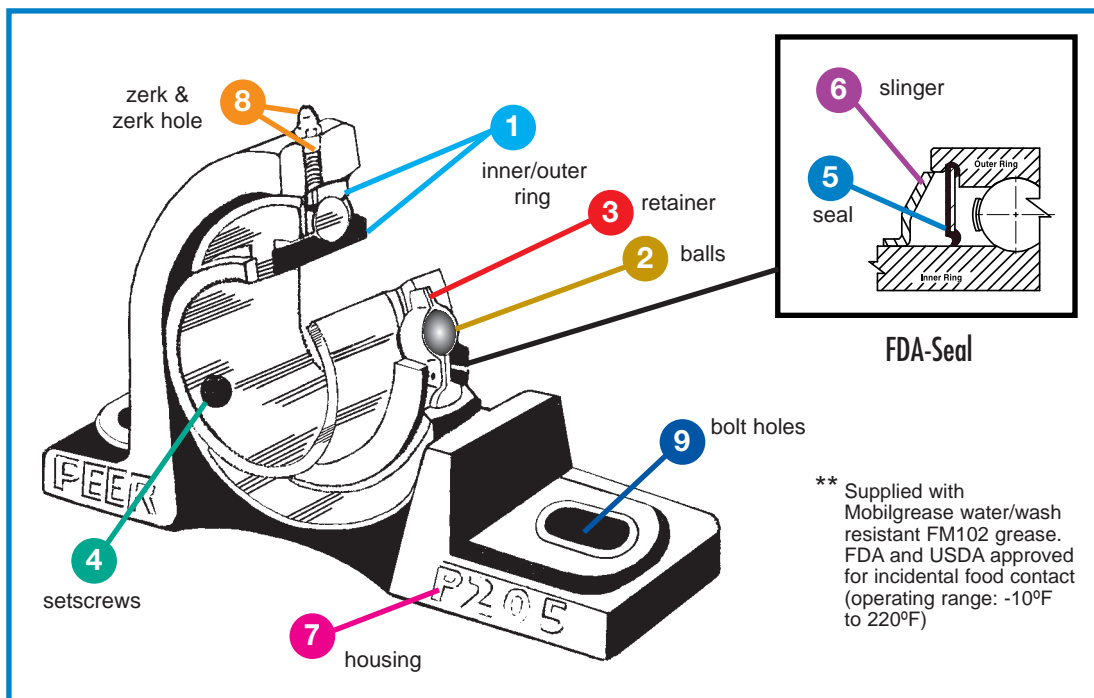
1. Stainless steel AISI 440C
2. Stainless steel AISI 440C
3. Stainless steel AISI 302
4. Stainless steel AISI 302
5. FDA approved silicone rubber (-80F° to 400F°)
6. Stainless steel AISI 302
7. Solid base stainless steel AISI 304
8. Stainless steel AISI 304

Thermoplastic Housings**

With Stainless Steel Bearings

Example: SUCP205-16-PBT

1. Stainless steel AISI 440C
2. Stainless steel AISI 440C
3. Stainless steel AISI 302
4. Stainless steel AISI 302
5. FDA approved silicone rubber (-80F° to 400F°)
6. Stainless steel AISI 302
7. G.E. Valox® 420 glass filled PBT (thermoplastic) solid base
8. Stainless steel zerk and stainless steel lined zerk hole for added strength
9. Stainless steel bolt bushing for added strength



** Supplied with Mobilgrease water/wash resistant FM102 grease. FDA and USDA approved for incidental food contact (operating range: -10°F to 220°F)

Thermoplastic Housings**

With Zinc Chromate Bearings

Example: ZUCP205-16-PBT

1. Zinc chromate plated (4-6um thick) 52100 steel
2. Stainless steel AISI 440C
3. Stainless steel AISI 302
4. Stainless steel AISI 302
5. FDA approved silicone rubber (-80F° to 400F°)
6. Stainless steel AISI 302
7. G.E. Valox® 420 glass filled PBT (thermoplastic) solid base
8. Stainless steel zerk and stainless steel lined zerk hole for added strength
9. Stainless steel bolt bushing for added strength

Electroless Nickel Plated Housings

With Black Oxide Bearings

Example: UCP205-16-BENP

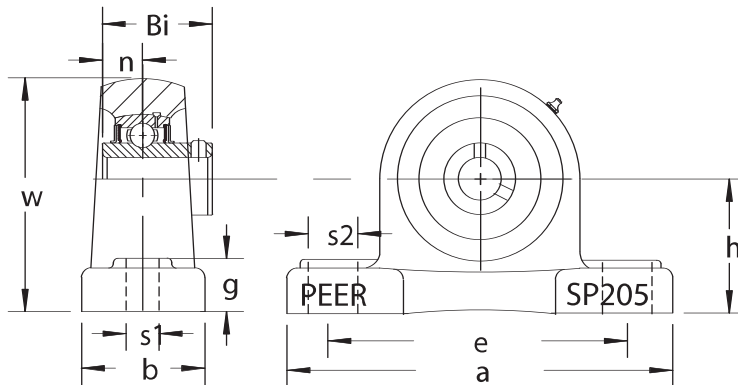
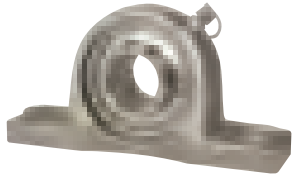
1. Black oxide plated 52100 steel
 2. 52100 steel-grade 10
 3. Stamped steel C1010
 4. Black oxide plated steel
 5. Buna-N rubber bonded to steel shroud
 6. Black oxide plated steel
 7. Electroless nickel (.001" thick) plated over cast or ductile iron
 8. Clear zinc plated steel zerk
- Grease: Shell Alvania RL2

Wash Down Units



All Stainless Steel Pillow Block Units

SSUCP200 Series Set Screw Locking



- For stainless steel grade specifications, see page 103
- Solid Base housing construction
- Wide inner ring bearing
- Relubricatable unit with anti-rotation pin
- Supplied with water/wash resistant Mobilgrease FM102 (FDA/USDA approved)
- Standard seal: FDA approved silicone rubber seal protected by stainless steel slinger

Dimensions in mm

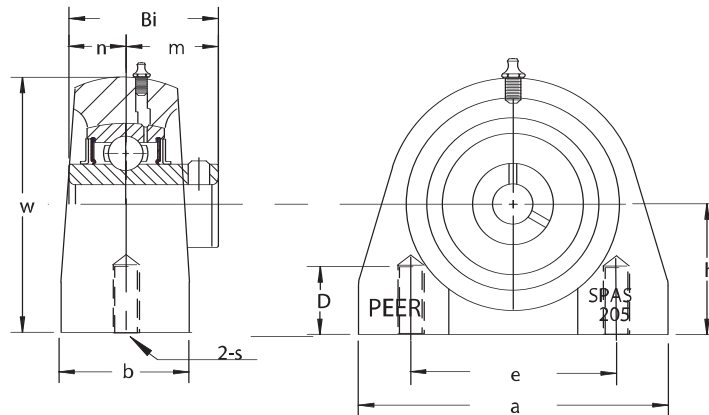
Unit No.	Shaft Diam.	h	a	e	b	s1	s2	g	w	Bi	n	Bolt Size In.	Bearing No.	Housing No.
SSUCP201 -8 SSUCP201 -12mm SSUCP202 -9 SSUCP202 -10 SSUCP202 -15mm SSUCP203 -11 SSUCP203 -17mm	1/2 12mm 9/16 5/8 15mm 11/16 17mm	1 5/16 33.30	5 127.0	3 3/4 95.0	1 1/2 38.0	1/2 13.0	3/4 19.0	1/2 13.0	2 9/16 65.0	1.22 31.00	0.500 12.70	3/8	SUC201 -8 SUC201 -12mm SUC202 -9 SUC202 -10 SUC202 -15mm SUC203 -11 SUC203 -17mm	SP-204-HA
SSUCP204 -12 SSUCP204 -20mm	3/4 20mm	1 5/16 33.30	5 127.0	3 3/4 95.0	1 1/2 38.0	1/2 13.0	3/4 19.0	1/2 13.0	2 9/16 65.0	1.22 31.00	0.500 12.70	3/8	SUC204 -12 SUC204 -20mm	SP-204-HA
SSUCP205 -14 SSUCP205 -15 SSUCP205 -16 SSUCP205 -25mm	7/8 15/16 1 25mm	1 7/16 36.50	5 1/2 140.0	4 1/8 105.0	1 1/2 38.0	1/2 13.0	3/4 19.0	19/32 15.0	2 25/32 71.0	1.34 34.10	0.563 14.30	3/8	SUC205 -14 SUC205 -15 SUC205 -16 SUC205 -25mm	SP-205-HA
SSUCP206 -18 SSUCP206 -19 SSUCP206 -20 SSUCP206 -30mm	1 1/8 1 3/16 1 1/4(s) 30mm	1 11/16 42.90	6 1/2 165.0	4 3/4 121.0	1 7/8 48.0	21/32 17.0	25/32 20.0	21/32 17.0	3 5/16 84.0	1.50 38.10	0.626 15.90	1/2	SUC206 -18 SUC206 -19 SUC206 -20 SUC206 -30mm	SP-206-HA
SSUCP207 -20 SSUCP207 -21 SSUCP207 -22 SSUCP207 -23 SSUCP207 -35mm	1 1/4 1 5/16 1 3/8 1 7/16 35mm	1 7/8 47.60	6 9/16 167.0	5 127.0	1 7/8 48.0	21/32 17.0	25/32 20.0	3/4 19.0	3 21/32 93.0	1.69 42.90	0.689 17.50	1/2	SUC207 -20 SUC207 -21 SUC207 -22 SUC207 -23 SUC207 -35mm	SP-207-HA
SSUCP208 -24 SSUCP208 -40mm	1 1/2 40mm	1 15/16 49.20	7 1/4 184.0	5 13/32 137.0	2 1/8 54.0	21/32 17.0	25/32 20.0	25/32 20.0	3 27/32 98.0	1.94 49.20	0.748 19.00	1/2	SUC208 -24 SUC208 -40mm	SP-208-HA
SSUCP209 -27 SSUCP209 -28 SSUCP209 -45mm	1 11/16 1 3/4 45mm	2 1/8 54.00	7 15/16 190.0	5 3/4 146.0	2 1/8 54.0	21/32 17.0	25/32 20.0	25/32 20.0	4 3/16 106.0	1.94 49.20	0.748 19.00	1/2	SUC209 -27 SUC209 -28 SUC209 -45mm	SP-209-HA
SSUCP210 -31 SSUCP210 -32 SSUCP210 -50mm	1 15/16 2(s) 50mm	2 1/4 57.20	8 1/8 206.0	6 1/4 159.0	2 3/8 60.0	25/32 20.0	7/8 22.0	7/8 22.0	4 31/64 114.0	2.03 51.60	0.748 19.00	5/8	SUC210 -31 SUC210 -32 SUC210 -50mm	SP-210-HT
SSUCP211 -32 SSUCP211 -35 SSUCP211 -55mm	2 2 3/16 55mm	2 1/2 63.50	8 5/8 219.0	6 23/32 171.0	2 3/8 60.0	25/32 20.0	7/8 22.0	7/8 22.0	4 29/32 125.0	2.19 55.60	0.874 22.20	5/8	SUC211 -32 SUC211 -35 SUC211 -55mm	SP-211-HT
SSUCP212 -39 SSUCP212 -60mm	2 7/16 60mm	2 3/4 69.80	9 1/2 241.0	7 1/4 184.0	2 3/4 70.0	25/32 20.0	1 25.0	1 25.0	5 7/16 138.0	2.56 65.10	1.000 25.40	5/8	SUC212 -39 SUC212 -60mm	SP-212-HT

All Stainless Steel Tapped Base Pillow Block Units

SSUCPAS200 Series Set Screw Locking



- For stainless steel grade specifications, see page 103
- Solid base housing construction
- Wide inner ring bearing
- Relubricatable unit with anti-rotation pin
- Supplied with water/wash resistant Mobilgrease FM102 (FDA/USDA approved)
- Standard seal: FDA approved silicone rubber seal protected by stainless steel slinger

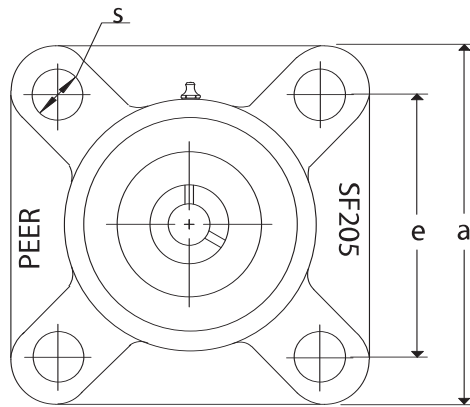
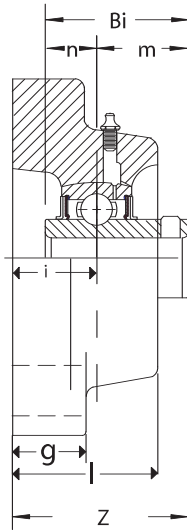
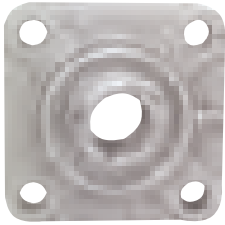


Unit No.	Dimensions <small>in mm</small>											Bolt Size In.	Bearing No.	Housing No.
	Shaft Diam.	h	a	e	b	S UNC	w	D	Bi	n	m			
SSUCPAS201 -8	1/2												SUC201 -8	SPAS-204-HT
SSUCPAS201 -12mm	12mm											SUC201 -12mm		
SSUCPAS202 -9	9/16	1 5/16	2 7/8	2	1 1/2	3/8-16	2 9/16	33/64	1.22	0.500	0.720	SUC202 -9		
SSUCPAS202 -10	5/8	33.3	73.0	50.8	38.0		65.0	13.0	31.00	12.70	18.30	SUC202 -10		
SSUCPAS202 -15mm	15mm											SUC202 -15mm		
SSUCPAS203 -11	11/16											SUC203 -11	SPAS-204-HT	
SSUCPAS203 -17mm	17mm											SUC203 -17mm		
SSUCPAS204 -12	3/4	1 5/16	2 7/8	2	1 1/2	3/8-16	2 9/16	33/64	1.22	0.500	0.720	SUC204 -12	SPAS-204-HT	
SSUCPAS204 -20mm	20mm	33.3	73.0	50.8	38.0		65.0	13.0	31.00	12.70	18.30	SUC204 -20mm		
SSUCPAS205 -14	7/8											SUC205 -14	SPAS-205-HT	
SSUCPAS205 -15	15/16	1 7/16	3	2	1 1/2	3/8-16	2 51/64	33/64	1.34	0.563	0.780	SUC205 -15		
SSUCPAS205 -16	1	36.5	76.2	50.8	38.0		71.0	13.0	34.10	14.30	19.80	SUC205 -16		
SSUCPAS205 -25mm	25mm											SUC205 -25mm		
SSUCPAS206 -18	1 1/8											SUC206 -18	SPAS-206-HT	
SSUCPAS206 -19	1 3/16	1 11/16	4	3	1 1/2	7/16-14	3 25/64	5/8	1.50	0.626	0.874	SUC206 -19		
SSUCPAS206 -20	1 1/4(s)	42.9	101.6	76.2	38.0		86.0	16.0	38.10	15.90	22.20	SUC206 -20		
SSUCPAS206 -30mm	30mm											SUC206 -30mm		
SSUCPAS207 -20	1 1/4											SUC207 -20	SPAS-207-HT	
SSUCPAS207 -21	1 5/16											SUC207 -21		
SSUCPAS207 -22	1 3/8	1 7/8	4 1/4	3 1/4	1 57/64	1/2-13	3 3/4	3/4	1.69	0.689	1.000	SUC207 -22		
SSUCPAS207 -23	1 7/16	47.6	108.0	82.6	48.0		95.0	19.0	42.90	17.50	25.40	SUC207 -23		
SSUCPAS207 -35mm	35mm											SUC207 -35mm		
SSUCPAS208 -24	1 1/2	1 15/16	4 39/64	3 1/2	1 57/64	1/2-13	3 15/16	3/4	1.94	0.748	1.189	SUC208 -24	SPAS-208-HT	
SSUCPAS208 -40mm	40mm	49.2	117.0	88.9	48.0		100.0	19.0	49.20	19.00	30.20	SUC208 -40mm		
SSUCPAS209 -27	1 11/16											SUC209 -27	SPAS-209-HT	
SSUCPAS209 -28	1 3/4	2 1/8	5	3 3/4	2	1/2-13	4 1/4	3/4	1.94	0.748	1.189	SUC209 -28		
SSUCPAS209 -45mm	45mm	54.0	127.0	95.3	50.8		108.0	19.0	49.20	19.00	30.20	SUC209 -45mm		
SSUCPAS210 -31	1 15/16											SUC210 -31	SPAS-210-HT	
SSUCPAS210 -32	2(s)	2 1/4	5 1/2	4	2	5/8-11	4 39/64	55/64	2.03	0.748	1.283	SUC210 -32		
SSUCPAS210 -50mm	50mm	57.2	140.0	101.6	50.8		117.0	22.0	51.60	19.00	32.60	SUC210 -50mm		

Wash Down Units



All Stainless Steel Flange Units 4 Bolt SSUCF200 Series Set Screw Locking



- For stainless steel grade specifications, see page 103
- Solid base housing construction
- Wide inner ring bearing
- Relubricatable unit with anti-rotation pin
- Supplied with water/wash resistant Mobilgrease FM102 (FDA/USDA approved)
- Standard seal: FDA approved silicone rubber seal protected by stainless steel slinger

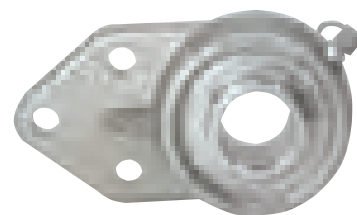
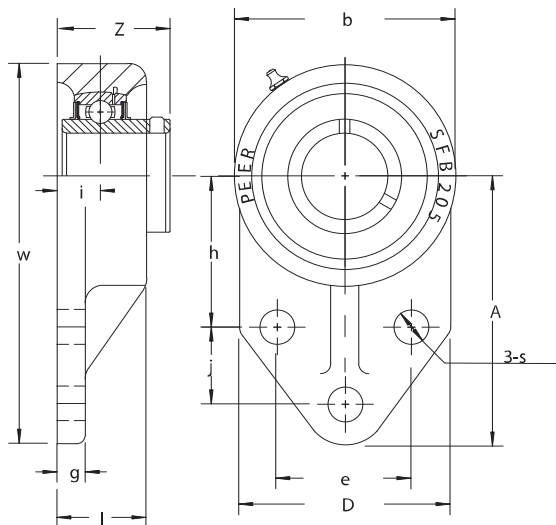
Dimensions in mm

Unit No.	Shaft Diam.	a	e	i	g	l	s	Z	Bi	n	m	Bolt Size In.	Bearing No.	Housing No.
SSUCF201 -8 SSUCF201 -12mm SSUCF202 -9 SSUCF202 -10 SSUCF202 -15mm SSUCF203 -11 SSUCF203 -17mm	1/2 12mm 9/16 5/8 15mm 11/16 17mm	3 3/8 86.0	2 1/2 64.0	19/32 15.0	7/16 11.0	1 25.0	15/32 12.0	1.31 33.3	1.220 31.00	0.500 12.70	0.72 18.30	3/8	SUC201 -8 SUC201 -12mm SUC202 -9 SUC202 -10 SUC202 -15mm SUC203 -11 SUC203 -17mm	SF-204-H
SSUCF204 -12 SSUCF204 -20mm	3/4 20mm	3 3/8 86.0	2 1/2 64.0	19/32 15.0	7/16 11.0	1 25.0	15/32 12.0	1.31 33.3	1.220 31.00	0.500 12.70	0.72 18.30	3/8	SUC204 -12 SUC204 -20mm	SF-204-H
SSUCF205 -14 SSUCF205 -15 SSUCF205 -16 SSUCF205 -25mm	7/8 15/16 1 25mm	3 3/4 95.0	2 3/4 70.0	5/8 16.0	1/2 13.0	1 1/16 27.0	15/32 12.0	1.41 35.8	1.343 34.10	0.563 14.30	0.78 19.80	3/8	SUC205 -14 SUC205 -15 SUC205 -16 SUC205 -25mm	SF-205-H
SSUCF206 -18 SSUCF206 -19 SSUCF206 -20 SSUCF206 -30mm	1 1/8 1 3/16 1 1/4(s) 30mm	4 1/4 108.0	3 1/4 83.0	45/64 18.0	1/2 13.0	1 7/32 31.0	15/32 12.0	1.58 40.2	1.500 38.10	0.626 15.90	0.87 22.20	3/8	SUC206 -18 SUC206 -19 SUC206 -20 SUC206 -30mm	SF-206-H
SSUCF207 -20 SSUCF207 -21 SSUCF207 -22 SSUCF207 -23 SSUCF207 -35mm	1 1/4 1 5/16 1 3/8 1 7/16 35mm	4 19/32 117.0	3 5/8 92.0	3/4 19.0	19/32 15.0	1 11/32 34.0	35/64 14.0	1.75 44.4	1.689 42.90	0.689 17.50	1.00 25.40	7/16	SUC207 -20 SUC207 -21 SUC207 -22 SUC207 -23 SUC207 -35mm	SF-207-H
SSUCF208 -24 SSUCF208 -40mm	1 1/2 40mm	5 1/8 130.0	4 1/4 102.0	53/64 21.0	15/32 15.0	1 13/32 36.0	5/8 16.0	2.02 51.2	1.937 49.20	0.748 19.00	1.19 30.20	1/2	SUC208 -24 SUC208 -40mm	SF-208-H
SSUCF209 -27 SSUCF209 -28 SSUCF209 -45mm	1 11/16 1 3/4 45mm	5 13/32 137.0	4 1/8 105.0	55/64 22.0	5/8 16.0	1 1/2 38.0	5/8 16.0	2.06 52.2	1.937 49.20	0.748 19.00	1.19 30.20	1/2	SUC208 -27 SUC209 -28 SUC209 -45mm	SF-209-H
SSUCF210 -31 SSUCF210 -32 SSUCF210 -50mm	1 15/16 2(s) 50mm	5 5/8 143.0	4 3/8 111.0	55/64 22.0	5/8 16.0	1 9/16 40.0	5/8 16.0	2.15 54.6	2.031 51.60	0.748 19.00	1.28 32.60	1/2	SUC210 -31 SUC210 -32 SUC210 -50mm	SF-210-H
SSUCF211 -32 SSUCF211 -35 SSUCF211 -55mm	2 2 3/16 55mm	6 3/8 162.0	5 1/8 130.0	63/64 25.0	23/32 18.0	1 11/16 43.0	3/4 19.0	2.30 58.4	2.189 55.60	0.874 22.20	1.31 33.40	5/8	SUC211 -32 SUC211 -35 SUC211 -55mm	SF-211-H
SSUCF212 -39 SSUCF212 -60mm	2 7/16 60mm	6 7/8 175.0	5 5/8 143.0	1 9/64 29.0	23/32 18.0	1 7/8 48.0	3/4 19.0	2.70 68.7	2.563 65.10	1.000 25.40	1.56 39.70	5/8	SUC212 -39 SUC212 -60mm	SF-212-H

All Stainless Steel Units Flange Bracket 3 Bolt SSUCFB200 Series Set Screw Locking



- For stainless steel grade specifications, see page 103
- Solid base housing construction
- Wide inner ring bearing
- Relubricatable unit with anti-rotation pin
- Supplied with water/wash resistant Mobilgrease FM102 (FDA/USDA approved)
- Standard seal: FDA approved silicone rubber seal protected by stainless steel slinger

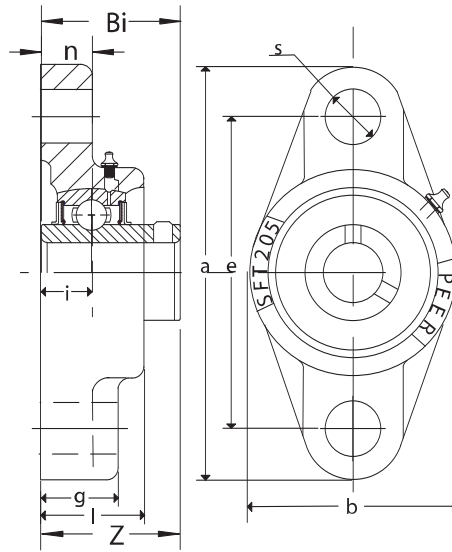
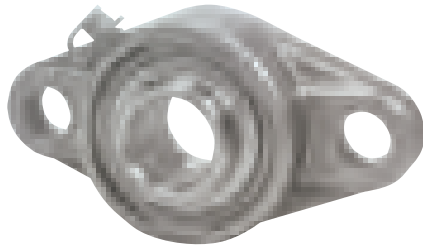


Unit No.	Shaft Diam.	Dimensions <small>in mm</small>											Bolt Size In.	Bearing No.	Housing No.	
		w	A	b	D	i	l	s	g	h	j	e				Z
SSUCFB201 -8 SSUCFB201 -12mm SSUCFB202 -9 SSUCFB202 -10 SSUCFB202 -15mm SSUCFB203 -11 SSUCFB203 -17mm	1/2 12mm 9/16 5/8 15mm 11/16 17mm	4 1/4 108.0	3 76.5	2 1/2 63.0	2 3/8 60.0	5/8 16.0	1 25.4	25/64 9.9	5/16 8.0	1 11/16 42.9	7/8 22.2	1 1/2 38.1	1.35 34.3	5/16	SUC201 -8 SUC201 -12mm SUC202 -9 SUC202 -10 SUC202 -15mm SUC203 -11 SUC203 -17mm	SFB-204-HA
SSUCFB204 -12 SSUCFB204 -20mm	3/4 20mm	4 1/4 108.0	3 76.5	2 1/2 63.0	2 3/8 60.0	5/8 16.0	1 25.4	25/64 9.9	5/16 8.0	1 11/16 42.9	7/8 22.2	1 1/2 38.1	1.35 34.3	5/16	SUC204 -12 SUC204 -20mm	SFB-204-HA
SSUCFB205 -14 SSUCFB205 -15 SSUCFB205 -16 SSUCFB205 -25mm	7/8 15/16 1 25mm	4 3/4 121.0	3 3/8 86.0	2 3/4 70.0	2 1/2 64.0	21/32 17.0	1 1/8 29.0	25/64 9.9	3/8 9.5	1 13/32 46.0	1 1/8 28.6	1 5/8 41.3	1.45 36.8	5/16	SUC205 -14 SUC205 -15 SUC205 -16 SUC205 -25mm	SFB-205-HA
SSUCFB206 -18 SSUCFB206 -19 SSUCFB206 -20 SSUCFB206 -30mm	1 1/8 1 3/16 1 1/4(s) 30mm	5 3/8 137.0	3 3/4 95.5	3 1/4 83.0	2 3/4 70.0	47/64 19.0	1 1/4 32.0	25/64 9.9	3/8 9.5	2 1/16 52.4	1 1/4 31.8	1 7/8 47.6	1.62 41.2	5/16	SUC206 -18 SUC206 -19 SUC206 -20 SUC206 -30mm	SFB-206-HA
SSUCFB207 -20 SSUCFB207 -21 SSUCFB207 -22 SSUCFB207 -23 SSUCFB207 -35mm	1 1/4 1 5/16 1 3/8 1 7/16 35mm	6 9/64 156.0	4 17/64 108.5	3 3/4 95.0	3 1/4 82.5	53/64 21.0	1 29/64 37.0	33/64 13.1	17/32 13.5	2 3/8 60.3	1 1/4 31.8	2 50.8	1.83 46.4	7/16	SUC207 -20 SUC207 -21 SUC207 -22 SUC207 -23 SUC207 -35mm	SFB-207-HA
SSUCFB208 -24 SSUCFB208 -40mm	1 1/2 40mm	6 15/32 164.0	4 1/2 114.0	3 15/16 100.0	3 1/16 78.0	53/64 21.0	1 11/32 34.0	15/32 11.1	5/8 16.0	2 3/8 60.3	1 5/8 41.0	2 50.8	2.02 51.2	3/8	SUC208 -24 SUC208 -40mm	SFB-208-HA
SSUCFB209 -27 SSUCFB209 -28 SSUCFB209 -45mm	1 11/16 1 3/4 45mm	6 27/64 174.0	4 3/4 121.0	4 11/64 106.0	3 5/32 80.0	53/64 21.0	1 11/32 34.0	15/32 11.1	45/64 18.0	2 9/16 65.0	1 11/16 42.9	2 1/8 51.0	2.02 51.2	3/8	SUC209 -27 SUC209 -28 SUC209 -45mm	SFB-209-HA
SSUCFB210 -31 SSUCFB210 -32 SSUCFB210 -50mm	1 15/16 2(s) 50mm	7 33/64 191.0	5 3/16 132.0	4 41/64 118.0	4 1/16 102.0	53/64 21.0	1 1/2 38.0	33/64 13.1	33/64 13.0	2 15/16 74.6	1 5/8 41.3	2 3/4 69.9	2.11 53.6	7/16	SUC210 -31 SUC210 -32 SUC210 -50mm	SFB-210-HA

Wash Down Units



All Stainless Steel Flange Units 2 Bolt SSUCFT200 Series Set Screw Locking



- For stainless steel grade specifications, see page 103
- Solid base housing construction
- Wide inner ring bearing
- Relubricatable unit with anti-rotation pin
- Supplied with water/wash resistant Mobilgrease FM102 (FDA/USDA approved)
- Standard seal: FDA approved silicone rubber seal protected by stainless steel slinger

Dimensions in mm

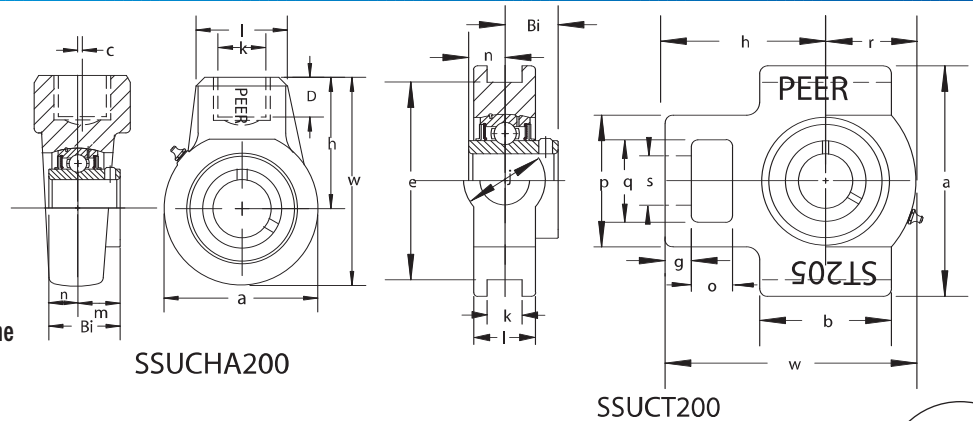
Unit No.	Shaft Diam.	a	e	i	g	l	s	b	Z	Bi	n	Bolt Size In.	Bearing No.	Housing No.
SSUCFT201 -8	1/2													
SSUCFT201 -12mm	12mm													
SSUCFT202 -9	9/16													
SSUCFT202 -10	5/8	4 29/64	3 35/64	19/32	7/16	1	15/32	2 23/32	1.3110	1.220	0.500	3/8	SUC201 -8 SUC201 -12mm SUC202 -9 SUC202 -10 SUC202 -15mm SUC203 -11 SUC203 -17mm	SFT-204-H
SSUCFT202 -15mm	15mm	113.0	90.0	15.0	11.0	25.4	12.0	60.0	33.300	31.00	12.70			
SSUCFT203 -11	11/16													
SSUCFT203 -17mm	17mm													
SSUCFT204 -12	3/4	4 29/64	3 35/64	19/32	7/16	1	15/32	2 23/32	1.3110	1.220	0.500	3/8	SUC204 -12 SUC204 -20mm	SFT-204-H
SSUCFT204 -20mm	20mm	113.0	90.0	15.0	11.0	25.4	12.0	60.0	33.300	31.00	12.70			
SSUCFT205 -14	7/8													
SSUCFT205 -15	15/16	5 1/8	3 57/64	5/8	33/64	1 1/16	5/8	2 43/64	1.4094	1.343	0.563	1/2	SUC205 -14 SUC205 -15 SUC205 -16 SUC205 -25mm	SFT-205-H
SSUCFT205 -16	1	130.0	99.0	16.0	13.0	27.0	16.0	68.0	35.800	34.10	14.30			
SSUCFT205 -25mm	25mm													
SSUCFT206 -18	1 1/8													
SSUCFT206 -19	1 3/16	5 53/64	4 39/64	45/64	33/64	1 7/32	5/8	3 5/32	1.5827	1.500	0.626	1/2	SUC206 -18 SUC206 -19 SUC206 -20 SUC206 -30mm	SFT-206-H
SSUCFT206 -20	1 1/4(s)	148.0	117.0	18.0	13.0	31.0	16.0	80.0	40.200	38.10	15.90			
SSUCFT206 -30mm	30mm													
SSUCFT207 -20	1 1/4													
SSUCFT207 -21	1 5/16	6 11/32	5 1/8	3/4	5/8	1 11/32	5/8	3 35/64	1.7480	1.689	0.689	1/2	SUC207 -20 SUC207 -21 SUC207 -22 SUC207 -23 SUC207 -35mm	SFT-207-H
SSUCFT207 -22	1 3/8	161.0	130.0	19.0	16.0	34.0	16.0	90.0	44.400	42.90	17.50			
SSUCFT207 -23	1 7/16													
SSUCFT207 -35mm	35mm													
SSUCFT208 -24	1 1/2	6 57/64	5 43/64	53/64	5/8	1 27/64	5/8	3 15/16	2.0157	1.937	0.748	1/2	SUC208 -24 SUC208 -40mm	SFT-208-H
SSUCFT208 -40mm	40mm	175.0	144.0	21.0	16.0	36.0	16.0	100.0	51.200	49.20	19.00			
SSUCFT209 -27	1 11/16	7 13/32	5 53/64	55/64	5/8	1 1/2	5/8	4 1/4	2.0551	1.937	0.748	1/2	SUC209 -27 SUC209 -28 SUC209 -45mm	SFT-209-H
SSUCFT209 -28	1 3/4	188.0	148.0	22.0	16.0	38.0	16.0	108.0	52.200	49.20	19.00			
SSUCFT209 -45mm	45mm													
SSUCFT210 -31	1 15/16	7 3/4	6 3/16	55/64	5/8	1 37/64	3/4	4 17/32	2.1496	2.031	0.748	5/8	SUC210 -31 SUC210 -32 SUC210 -50mm	SFT-210-H
SSUCFT210 -32	2(s)	197.0	157.0	22.0	16.0	40.0	19.0	115.0	54.600	51.60	19.00			
SSUCFT210 -50mm	50mm													
SSUCFT211 -32	2	8 13/16	7 1/4	63/64	45/64	1 11/16	3/4	5 1/8	2.2992	2.189	0.874	5/8	SUC211 -32 SUC211 -35 SUC211 -55mm	SFT-211-H
SSUCFT211 -35	23/16	224.0	184.0	25.0	18.0	43.0	19.0	130.0	58.400	55.60	22.20			
SSUCFT211 -55mm	55mm													
SSUCFT212 -39	2 7/16	9 27/32	7 61/64	1 9/64	45/64	1 57/64	29/32	5 33/64	2.7047	2.563	1.000	3/4	SUC212 -39 SUC212 -60mm	SFT-212-H
SSUCFT212 -60mm	60mm	250.0	202.0	29.0	18.0	48.0	23.0	140.0	68.700	65.10	25.40			

All Stainless Steel Bearing Units

SSUCHA200 Series / SSUCT200 Series



- For stainless steel grade specifications, see page 103
- Wide inner ring bearing
- Relubricatable unit with anti-rotation pin
- Supplied with water/wash resistant Mobilgrease FM102 (FDA/USDA approved)
- Standard seal: FDA approved silicone rubber seal protected by stainless steel slinger



All Stainless Steel Hanger Units SSUCHA Set Screw Locking

Unit No.	Shaft Diam.	Dimensions <small>in mm</small>											Bearing No.	Housing No.
		a	w	c	h	l	D	K	Bi	n	m			
SSUCHA201 -8 SSUCHA202 -10 SSUCHA204 -12 SSUCHA204 -20mm	1/2 5/8 3/4 20mm	2 17/32 64.3	3 25/32 96.0	0 0	2 33/64 63.9	1 9/16 39.7	3/4 19.1	NPSM-3/4	1.220 31.00	0.500 12.70	0.72 18.30	SUC201 -8 SUC202 -10 SUC204 -12 SUC204 -20mm	SHA-204-H	
SSUCHA205 -14 SSUCHA205 -15 SSUCHA205 -16 SSUCHA205 -25mm	7/8 15/16 1 25mm	3 1/16 77.8	4 1/16 103.2	0 0	2 33/64 63.9	1 9/16 39.7	3/4 19.1	NPSM-3/4	1.343 34.10	0.563 14.30	0.78 19.80	SUC205 -14 SUC205 -15 SUC205 -16 SUC205 -25mm	SHA-205-H	
SSUCHA206 -18 SSUCHA206 -19 SSUCHA206 -20 SSUCHA206 -30mm	1 1/8 1 3/16 1 1/4(s) 30mm	3 1/16 77.8	4 1/16 103.2	0 0	2 33/64 63.9	1 9/16 39.7	3/4 19.1	NPSM-3/4	1.500 38.10	0.626 15.90	0.87 22.20	SUC206 -18 SUC206 -19 SUC206 -20 SUC206 -30mm	SHA-206-H	
SSUCHA207 -20 SSUCHA207 -21 SSUCHA207 -22 SSUCHA207 -23 SSUCHA207 -35mm	1 1/4 1 5/16 1 3/8 1 7/16 35mm	3 5/8 92.1	4 9/16 115.9	0 0	2 3/4 69.9	1 9/16 39.7	3/4 19.1	NPSM-3/4	1.689 42.90	0.689 17.50	1.00 25.40	SUC207 -20 SUC207 -21 SUC207 -22 SUC207 -23 SUC207 -35mm	SHA-207-H	
SSUCHA208 -24 SSUCHA208 -40mm	1 1/2 40mm	3 25/32 96.0	4 3/4 120.7	5/64 2.0	2 7/8 73.0	1 9/16 39.7	3/4 19.1	NPSM-3/4	1.937 49.20	0.748 19.00	1.19 30.20	SUC208 -24 SUC208 -40mm	SHA-208-H	
SSUCHA209 -27 SSUCHA209 -28 SSUCHA209 -45mm	1 11/16 1 3/4 45mm	4 1/4 108.0	5 11/32 135.7	13/64 5.2	3 15/64 82.2	1 7/8 47.6	13/16 20.6	NPSM-1	1.937 49.20	0.748 19.00	1.19 30.20	SUC209 -27 SUC209 -28 SUC209 -45mm	SHA-209-H	
SSUCHA210 -31 SSUCHA210 -32 SSUCHA210 -50mm	1 15/16 2(s) 50mm	4 21/32 118.3	5 19/32 142.1	13/64 5.2	3 17/64 82.9	1 7/8 47.6	13/16 20.6	NPSM-1	2.031 51.60	0.748 19.00	1.28 32.60	SUC210 -31 SUC210 -32 SUC210 -50mm	SHA-210-H	



All Stainless Steel Take Up Units SSUCT200 Set Screw Locking

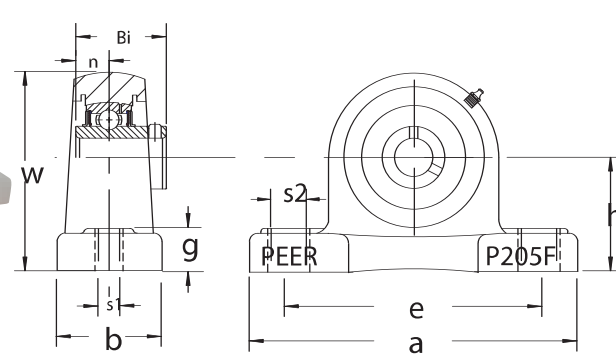
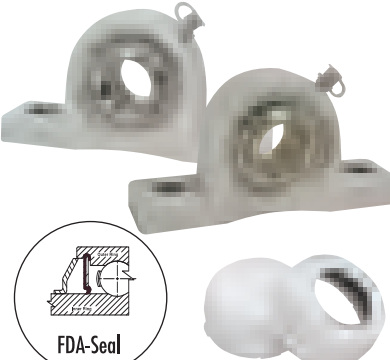
Unit No.	Shaft Diam.	Dimensions <small>in mm</small>																Bearing No.	Housing No.
		o	g	p	q	s	b	K	e	a	w	j	l	r	h	Bi	n		
SSUCT201 -8 SSUCT202 -10 SSUCT204 -12 SSUCT205 -20mm	1/2 5/8 3/4 20mm	5/8 15.9	13/32 10.3	2 50.8	1 1/4 31.8	3/4 19.1	2 50.8	17/32 13.5	3 76.2	3 1/2 88.9	3 23/32 94.4	1 1/4 31.8	13/16 20.6	1 5/16 33.3	2 13/32 61.1	1.220 31.00	0.500 12.70	SUC201 -8 SUC202 -10 SUC204 -12 SUC204 -20mm	ST-204-H
SSUCT205 -14 SSUCT205 -15 SSUCT205 -16 SSUCT205 -25mm	7/8 15/16 1 25mm	5/8 15.9	13/32 10.3	2 50.8	1 1/4 31.8	3/4 19.1	2 50.8	17/32 13.5	3 76.2	3 1/2 88.9	3 13/16 96.8	1 1/4 31.8	15/16 23.8	1 3/8 34.9	2 7/16 61.9	1.343 34.10	0.563 14.30	SUC205 -14 SUC205 -15 SUC205 -16 SUC205 -25mm	ST-205-H
SSUCT206 -18 SSUCT206 -19 SSUCT206 -20 SSUCT206 -30mm	1 1/8 1 3/16 1 1/4(s) 30mm	5/8 15.9	13/32 10.3	2 7/32 56.4	1 15/32 37.3	55/64 21.8	2 1/4 57.2	17/32 13.5	3 1/2 88.9	4 1/32 102.4	4 7/16 112.8	1 15/32 37.3	1 3/32 27.8	1 11/16 42.9	2 3/4 69.9	1.500 38.10	0.626 15.90	SUC206 -18 SUC206 -19 SUC206 -20 SUC206 -30mm	ST-206-H
SSUCT207 -20 SSUCT207 -21 SSUCT207 -22 SSUCT207 -23 SSUCT207 -35mm	1 1/4 1 5/16 1 3/8 1 7/16 35mm	5/8 15.9	1/2 12.7	2 17/32 64.3	1 15/32 37.3	55/64 21.8	2 17/32 64.3	17/32 13.5	3 1/2 88.9	4 1/32 102.4	5 1/16 128.8	1 15/32 37.3	1 3/16 30.2	2 50.8	3 1/16 77.8	1.689 42.90	0.689 17.50	SUC207 -20 SUC207 -21 SUC207 -22 SUC207 -23 SUC207 -35mm	ST-207-H
SSUCT208 -24 SSUCT208 -40mm	1 1/2 40mm	3/4 19.1	5/8 15.9	3 9/32 83.3	1 15/16 49.2	1 9/64 29.0	3 9/32 83.3	11/16 17.5	4 1/64 102.0	4 1/2 114.3	5 11/16 144.5	1 15/16 49.2	1 5/16 33.3	2 27/32 56.4	3 15/32 88.1	1.937 49.20	0.748 19.00	SUC208 -24 SUC208 -40mm	ST-208-H
SSUCT209 -27 SSUCT209 -28 SSUCT209 -45mm	1 11/16 1 3/4 45mm	3/4 19.1	5/8 15.9	3 9/32 83.3	1 15/16 49.2	1 9/64 29.0	3 9/32 83.3	11/16 17.5	4 1/64 102.0	4 19/32 116.7	5 11/16 144.5	1 15/16 49.2	1 3/8 34.9	2 1/4 57.2	3 7/16 87.3	1.937 49.20	0.748 19.00	SUC209 -27 SUC209 -28 SUC209 -45mm	ST-209-H
SSUCT210 -31 SSUCT210 -32 SSUCT210 -50mm	1 15/16 2(s) 50mm	3/4 19.1	5/8 15.9	3 9/32 83.3	1 15/16 49.2	1 9/64 29.0	3 3/8 85.7	11/16 17.5	4 1/64 102.0	4 19/32 116.7	5 27/32 148.4	1 15/16 49.2	1 15/32 37.3	2 5/16 58.7	3 17/32 89.7	2.031 51.60	0.748 19.000	SUC210 -31 SUC210 -32 SUC210 -50mm	ST-210-H

Wash Down Units



Thermoplastic Pillow Blocks

SUCP200-PBT Stainless Bearing / ZUCP200-PBT Zinc Plated Bearing



- For stainless steel, zinc and PBT grade specifications, see page 103
- Solid base housing construction
- Wide inner ring bearing with set screws
- Relubricatable unit with anti-rotation pin
- Supplied with water/wash resistant Mobilgrease FM102 (FDA/USDA approved)
- Standard seal: FDA approved silicone rubber seal protected by stainless steel slinger
- End caps and open caps w/shaft seals available

SUCP200-PBT with Stainless Steel Insert Bearings

Unit No.	Dimensions ⁱⁿ / _{mm}											Bolt Size In.	Bearing No.	Housing No.
	Shaft Diam.	h	a	e	b	s1	s2	g	w	Bi	n			
SUCP201 -8-PBT SUCP201 -12m-PBT SUCP202 -9-PBT SUCP202 -10-PBT SUCP202 -15m-PBT SUCP203 -11-PBT SUCP203 -17m-PBT	1/2 12mm 9/16 5/8 15mm 11/16 17mm	1 5/16 33.3	5 127.0	3 3/4 95.0	1 1/2 38.0	7/16 11.0	3 5/64 14.0	9/16 14.2	2 9/16 65.0	1.22 31.00	0.500 12.70	3/8	SUC201 -8 SUC201 -12mm SUC202 -9 SUC202 -10 SUC202 -15mm SUC203 -11 SUC203 -17mm	P-204-HA-PBT
SUCP204 -12-PBT SUCP204 -20m-PBT	3/4 20mm	1 5/16 33.3	5 127.0	3 3/4 95.0	1 1/2 38.0	7/16 11.0	3 5/64 14.0	9/16 14.2	2 9/16 65.0	1.22 31.00	0.500 12.70	3/8	SUC204 -12 SUC204 -20mm	P-204-HA-PBT
SUCP205 -14-PBT SUCP205 -15-PBT SUCP205 -16-PBT SUCP205 -25m-PBT	7/8 15/16 1 25mm	1 7/16 36.5	5 1/2 140.0	4 1/8 105.0	1 1/2 38.0	7/16 11.0	3 5/64 14.0	9/16 14.5	2 3/4 71.0	1.34 34.10	0.563 14.30	3/8	SUC205 -14 SUC205 -15 SUC205 -16 SUC205 -25mm	P-205-HA-PBT
SUCP206 -18-PBT SUCP206 -19-PBT SUCP206 -20-PBT SUCP206 -30m-PBT	1 1/8 1 3/16 1 1/4(s) 30mm	1 11/16 42.9	6 3/8 162.0	4 11/16 119.0	1 7/8 46.0	17/32 14.0	2 3/32 18.0	11/16 17.8	3 9/32 83.0	1.50 38.10	0.626 15.90	7/16	SUC206 -18 SUC206 -19 SUC206 -20 SUC206 -30mm	P-206-HA-PBT
SUCP207 -20-PBT SUCP207 -21-PBT SUCP207 -22-PBT SUCP207 -23-PBT SUCP207 -35m-PBT	1 1/4 1 5/16 1 3/8 1 7/16 35mm	1 7/8 47.6	6 9/16 167.0	5 127.0	1 7/8 48.0	17/32 14.0	2 3/32 18.0	23/32 18.0	3 11/16 94.0	1.69 42.90	0.689 17.50	1/2	SUC207 -20 SUC207 -21 SUC207 -22 SUC207 -23 SUC207 -35mm	P-207-HA-PBT
SUCP208 -24-PBT SUCP208 -40m-PBT	1 1/2 40mm	1 15/16 49.2	7 1/4 184.0	5 3/8 137.0	2 1/8 54.0	17/32 14.0	2 3/32 18.0	25/32 19.5	3 15/16 98.0	1.94 49.20	0.748 19.00	1/2	SUC208 -24 SUC208 -40mm	P-208-HA-PBT

ZUCP200-PBT with Zinc Chromate Plated Insert Bearings

Unit No.	Dimensions ⁱⁿ / _{mm}											Bolt Size In.	Bearing No.	Housing No.
	Shaft Diam.	h	a	e	b	s1	s2	g	w	Bi	n			
ZUCP201 -8-PBT ZUCP201 -12m-PBT ZUCP202 -9-PBT ZUCP202 -10-PBT ZUCP202 -15m-PBT ZUCP203 -11-PBT ZUCP203 -17m-PBT	1/2 12mm 9/16 5/8 15mm 11/16 17mm	1 5/16 33.3	5 127.0	3 3/4 95.0	1 1/2 38.0	7/16 11.0	17/32 14.0	17/32 14.2	2 9/16 65.0	1.22 31.00	0.500 12.70	3/8	ZUC201 -8 ZUC201 -12mm ZUC202 -9 ZUC202 -10 ZUC202 -15mm ZUC203 -11 ZUC203 -17mm	P-204-HA-PBT
ZUCP204 -12-PBT ZUCP204 -20m-PBT	3/4 20mm	1 5/16 33.3	5 127.0	3 3/4 95.0	1 1/2 38.0	7/16 11.0	17/32 14.0	17/32 14.2	2 9/16 65.0	1.22 31.00	0.500 12.70	3/8	ZUC204 -12 ZUC204 -20mm	P-204-HA-PBT
ZUCP205 -14-PBT ZUCP205 -15-PBT ZUCP205 -16-PBT ZUCP205 -25m-PBT	7/16 15/16 1 25mm	1 7/16 36.5	5 1/2 140.0	4 1/8 105.0	1 1/2 38.0	7/16 11.0	17/32 14.0	9/16 14.5	2 3/4 71.0	1.34 34.10	0.563 14.30	3/8	ZUC205 -14 ZUC205 -15 ZUC205 -16 ZUC205 -25mm	P-205-HA-PBT
ZUCP206 -18-PBT ZUCP206 -19-PBT ZUCP206 -20-PBT ZUCP206 -30m-PBT	1 1/8 1 3/16 1 1/4(s) 30mm	1 11/16 42.9	6 3/8 162.0	4 11/16 119.0	1 7/8 46.0	17/32 14.0	23/32 18.0	11/16 17.8	3 9/32 83.0	1.50 38.10	0.626 15.90	7/16	ZUC206 -18 ZUC206 -19 ZUC206 -20 ZUC206 -30mm	P-206-HA-PBT
ZUCP207 -20-PBT ZUCP207 -21-PBT ZUCP207 -22-PBT ZUCP207 -23-PBT ZUCP207 -35m-PBT	1 1/4 1 5/16 1 3/8 1 7/16 35mm	1 7/8 47.6	6 9/16 167.0	5 127.0	1 7/8 48.0	17/32 14.0	23/32 18.0	23/32 18.0	3 11/16 94.0	1.69 42.90	0.689 17.50	1/2	ZUC207 -20 ZUC207 -21 ZUC207 -22 ZUC207 -23 ZUC207 -35mm	P-207-HA-PBT
ZUCP208 -24-PBT ZUCP208 -40m-PBT	1 1/2 40mm	1 15/16 49.2	7 1/4 184.0	5 3/8 137.0	2 1/8 54.0	17/32 14.0	23/32 18.0	25/32 19.5	3 15/16 98.0	1.94 49.20	0.748 19.00	1/2	ZUC208 -24 ZUC208 -40mm	P-208-HA-PBT

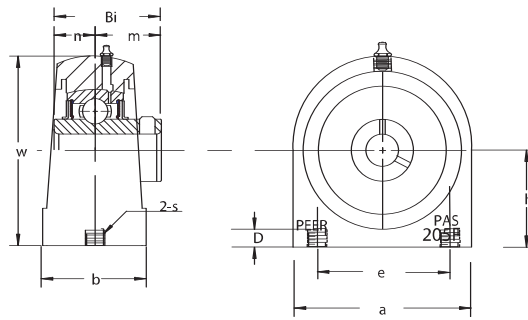
Also available with black oxide plated insert. Part number example: UCP205-16-BPBT.

Tapped Base Pillow Blocks

SUCPAS200-PBT Stainless Bearing / ZUCPAS200-PBT Zinc Plated Bearing



- For stainless steel, zinc and PBT grade specifications, see page 103
- Solid base housing construction
- Wide inner ring bearing with set screws
- Relubricatable unit with anti-rotation pin
- Supplied with water/wash resistant Mobilgrease FM102 (FDA/USDA approved)
- Standard seal: FDA approved silicone rubber seal protected by stainless steel slinger
- End caps and open caps w/ shaft seals available



SUCPAS200-PBT with Stainless Steel Insert Bearings

Unit No.	Dimensions <small>in mm</small>													Bearing No.	Housing No.
	Shaft Diam.	h	a	e	b	S UNC	w	D	Bi	n	m	Bolt Size In.			
SUCPAS201 -8-PBT SUCPAS201 -12m-PBT SUCPAS202 -9-PBT SUCPAS202 -10-PBT SUCPAS202 -15m-PBT SUCPAS203 -11-PBT SUCPAS203 -17m-PBT	1/2 12mm 9/16 5/8 15mm 11/16 17mm	1 5/16 33.3	2 7/8 73.0	2 50.8	1 1/2 38.1	3/8-16	2 19/32 65.9	7/16 11.1	1.22 31.00	0.500 12.70	0.720 18.30	3/8	SUC201 -8 SUC201 -12mm SUC202 -9 SUC202 -10 SUC202 -15mm SUC203 -11 SUC203 -17mm	PAS-204-HT-PBT	
SUCPAS204 -12PBT SUCPAS204 -20m-PBT	3/4 20mm	1 5/16 33.3	2 7/8 73.0	2 50.8	1 1/2 38.1	3/8-16	2 19/32 65.9	7/16 11.1	1.22 31.00	0.500 12.70	0.720 18.30	3/8	SUC204 -12 SUC204 -20mm	PAS-204-HT-PBT	
SUCPAS205 -14-PBT SUCPAS205 -15-PBT SUCPAS205 -16-PBT SUCPAS205 -25m-PBT	7/8 15/16 1 25mm	1 7/16 36.5	3 76.2	2 50.8	1 1/2 38.1	3/8-16	2 7/8 72.0	7/16 12.0	1.34 34.10	0.563 14.30	0.780 19.80	3/8	SUC205 -14 SUC205 -15 SUC205 -16 SUC205 -25mm	PAS-205-HT-PBT	
SUCPAS206 -18-PBT SUCPAS206 -19-PBT SUCPAS206 -20-PBT SUCPAS206 -30m-PBT	1 1/8 1 3/16 1 1/4(s) 30mm	1 11/16 42.9	4 101.6	3 76.2	1 1/2 38.1	7/16-14	4 3/8 111.1	11/16 17.5	1.50 38.10	0.626 15.90	0.874 22.20	7/16	SUC206 -18 SUC206 -19 SUC206 -20 SUC206 -30mm	PAS-206-HT-PBT	
SUCPAS207 -20-PBT SUCPAS207 -21-PBT SUCPAS207 -22-PBT SUCPAS207 -23-PBT SUCPAS207 -35m-PBT	1 1/4 1 5/16 1 3/8 1 7/16 35mm	1 7/8 47.6	4 3/8 110.0	3 1/4 82.6	1 7/8 48.0	1/2-13	3 13/32 96.0	5/8 16.0	1.69 42.90	0.689 17.50	1.000 25.40	1/2	SUC207 -20 SUC207 -21 SUC207 -22 SUC207 -23 SUC207 -35mm	PAS-207-HT-PBT	
SUCPAS208 -24-PBT SUCPAS208 -40m-PBT	1 1/2 40mm	1 15/16 49.2	4 3/4 120.0	3 1/2 88.9	1 7/8 48.0	1/2-13	4 101.6	41/64 16.0	1.94 49.20	0.748 19.00	1.189 30.20	1/2	SUC208 -24 SUC208 -40mm	PAS-208-HT-PBT	

ZUCPAS200-PBT with Zinc Chromate Plated Insert Bearings

Unit No.	Dimensions <small>in mm</small>													Bearing No.	Housing No.
	Shaft Diam.	h	a	e	b	S UNC	w	D	Bi	n	m	Bolt Size In.			
ZUCPAS201 -8-PBT ZUCPAS201 -12m-PBT ZUCPAS202 -9-PBT ZUCPAS202 -10-PBT ZUCPAS202 -15m-PBT ZUCPAS203 -11-PBT ZUCPAS203 -17m-PBT	1/2 12mm 9/16 5/8 15mm 11/16 17mm	1 5/16 33.3	2 7/8 73.0	2 50.8	1 1/2 38.1	3/8-16	2 19/32 65.9	7/16 11.1	1.22 31.00	0.500 12.70	0.720 18.30	3/8	ZUC201 -8 ZUC201 -12mm ZUC202 -9 ZUC202 -10 ZUC202 -15mm ZUC203 -11 ZUC203 -17mm	PAS-204-HT-PBT	
ZUCPAS204 -12PBT ZUCPAS204 -20m-PBT	3/4 20mm	1 5/16 33.3	2 7/8 73.0	2 50.8	1 1/2 38.1	3/8-16	2 19/32 65.9	7/16 11.1	1.22 31.00	0.500 12.70	0.720 18.30	3/8	ZUC204 -12 ZUC204 -20mm	PAS-204-HT-PBT	
ZUCPAS205 -14-PBT ZUCPAS205 -15-PBT ZUCPAS205 -16-PBT ZUCPAS205 -25m-PBT	7/8 15/16 1 25mm	1 7/16 36.5	3 76.2	2 50.8	1 1/2 38.1	3/8-16	2 7/8 72.0	7/16 12.0	1.34 34.10	0.563 14.30	0.780 19.80	3/8	ZUC205 -14 ZUC205 -15 ZUC205 -16 ZUC205 -25mm	PAS-205-HT-PBT	
ZUCPAS206 -18-PBT ZUCPAS206 -19-PBT ZUCPAS206 -20-PBT ZUCPAS206 -30m-PBT	1 1/8 1 3/16 1 1/4(s) 30mm	1 11/16 42.9	4 101.6	3 76.2	1 1/2 38.1	7/16-14	4 3/8 111.1	11/16 17.5	1.50 38.10	0.626 15.90	0.874 22.20	7/16	ZUC206 -18 ZUC206 -19 ZUC206 -20 ZUC206 -30mm	PAS-206-HT-PBT	
ZUCPAS207 -20-PBT ZUCPAS207 -21-PBT ZUCPAS207 -22-PBT ZUCPAS207 -23-PBT ZUCPAS207 -35m-PBT	1 1/4 1 5/16 1 3/8 1 7/16 35mm	1 7/8 47.6	4 3/8 110.0	3 1/4 82.6	1 7/8 48.0	1/2-13	3 13/32 96.0	5/8 16.0	1.69 42.90	0.689 17.50	1.000 25.40	1/2	ZUC207 -20 ZUC207 -21 ZUC207 -22 ZUC207 -23 ZUC207 -35mm	PAS-207-HT-PBT	
ZUCPAS208 -24-PBT ZUCPAS208 -40m-PBT	1 1/2 40mm	1 15/16 49.2	4 3/4 120.0	3 1/2 88.9	1 7/8 48.0	1/2-13	4 101.6	41/64 16.0	1.94 49.20	0.748 19.00	1.189 30.20	1/2	ZUC208 -24 ZUC208 -40mm	PAS-208-HT-PBT	

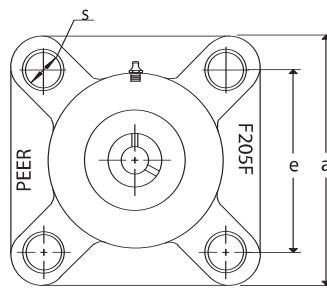
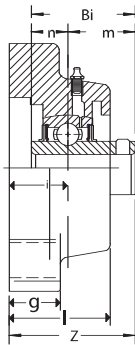
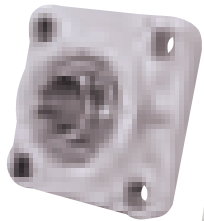
Also available with black oxide plated insert. Part number example: UCPAS205-16-BPBT.

Wash Down Units



Thermoplastic Flange 4 Bolt

SUCF200-PBT Stainless Bearing / ZUCF200-PBT Zinc Plated Bearing



- For stainless steel, zinc and PBT grade specifications, see page 103
- Solid base housing construction
- Wide inner ring bearing with set screws
- Relubricatable unit with anti-rotation pin
- Supplied with water/wash resistant Mobilgrease FM102 (FDA/USDA approved)
- Standard seal: FDA approved silicone rubber seal protected by stainless steel slinger
- Base seals, end caps, and open caps w/shaft seals available



SUCF200-PBT with Stainless Steel Insert Bearings

Unit No.	Shaft Diam.	Dimensions <small>in mm</small>										Bolt Size In.	Bearing No.	Housing No.
		a	e	i	g	l	s	Z	Bi	n	m			
SUCF201 -8-PBT SUCF201 -12m-PBT SUCF202 -9-PBT SUCF202 -10-PBT SUCF202 -15m-PBT SUCF203 -11-PBT SUCF203 -17m-PBT	1/2 12mm 9/16 5/8 15mm 11/16 17mm	3 3/8 86.0	2 1/2 63.5	0.591 15.0	1/2 13.0	1 1/8 28.0	7/16 11.0	1.3110 33.300	1.220 31.00	0.500 12.70	0.72 18.30	3/8	SUC201 -8 SUC201 -12mm SUC202 -9 SUC202 -10 SUC202 -15mm SUC203 -11 SUC203 -17mm	F-204-H-PBT
SUCF204 -12-PBT SUCF204 -20m-PBT	3/4 20mm	3 3/8 86.0	2 1/2 63.5	0.591 15.0	1/2 13.0	1 1/8 28.0	7/16 11.0	1.3110 33.300	1.220 31.00	0.500 12.70	0.72 18.30	3/8	SUC204 -12 SUC204 -20mm	F-204-H-PBT
SUCF205 -14-PBT SUCF205 -15-PBT SUCF205 -16-PBT SUCF205 -25m-PBT	7/8 15/16 1 25mm	3 3/4 95.0	2 3/4 70.0	.630 16.0	17/32 14.0	1 3/16 28.0	7/16 11.0	1.4094 35.800	1.343 34.10	0.563 14.30	0.78 19.80	3/8	SUC205 -14 SUC205 -15 SUC205 -16 SUC205 -25mm	F-205-H-PBT
SUCF206 -18-PBT SUCF206 -19-PBT SUCF206 -20-PBT SUCF206 -30m-PBT	1 1/8 1 3/16 1 1/4(s) 30mm	4 1/4 107.0	3 1/4 83.0	.709 18.0	17/32 14.0	1 7/32 31.0	7/16 11.0	1.5827 40.200	1.500 38.10	0.626 15.90	0.87 22.20	3/8	SUC206 -18 SUC206 -19 SUC206 -20 SUC206 -30mm	F-206-H-PBT
SUCF207 -20-PBT SUCF207 -21-PBT SUCF207 -22-PBT SUCF207 -23-PBT SUCF207 -35m-PBT	1 1/4 1 5/16 1 3/8 1 7/16 35mm	4 5/8 117.0	3 5/8 92.0	.748 19.0	19/32 15.0	1 5/16 33.0	1/2 13.0	1.7480 44.400	1.689 42.90	0.689 17.50	1.00 25.40	1/2	SUC207 -20 SUC207 -21 SUC207 -22 SUC207 -23 SUC207 -35mm	F-207-H-PBT
SUCF208 -24-PBT SUCF208 -40m-PBT	1 1/2 40mm	5 1/8 130.0	4 102.0	.827 21.0	21/32 17.0	1 1/2 38.0	17/32 14.0	2.0157 51.200	1.937 49.20	0.748 19.00	1.19 30.20	1/2	SUC208 -24 SUC208 -40mm	F-208-H-PBT

ZUCF200-PBT with Zinc Chromate Plated Insert Bearings

Unit No.	Shaft Diam.	Dimensions <small>in mm</small>										Bolt Size In.	Bearing No.	Housing No.
		a	e	i	g	l	s	Z	Bi	n	m			
ZUCF201 -8-PBT ZUCF201 -12m-PBT ZUCF202 -9-PBT ZUCF202 -10-PBT ZUCF202 -15m-PBT ZUCF203 -11-PBT ZUCF203 -17m-PBT	1/2 12mm 9/16 5/8 15mm 11/16 17mm	3 3/8 86.0	2 1/2 63.5	0.591 15.0	1/2 13.0	1 1/8 28.0	7/16 11.0	1.3110 33.300	1.220 31.00	0.500 12.70	0.72 18.30	3/8	ZUC201 -8 ZUC201 -12mm ZUC202 -9 ZUC202 -10 ZUC202 -15mm ZUC203 -11 ZUC203 -17mm	F-204-H-PBT
ZUCF204 -12-PBT ZUCF204 -20m-PBT	3/4 20mm	3 3/8 86.0	2 1/2 63.5	0.591 15.0	1/2 13.0	1 1/8 28.0	7/16 11.0	1.3110 33.300	1.220 31.00	0.500 12.70	0.72 18.30	3/8	ZUC204 -12 ZUC204 -20mm	F-204-H-PBT
ZUCF205 -14-PBT ZUCF205 -15-PBT ZUCF205 -16-PBT ZUCF205 -25m-PBT	7/8 15/16 1 25mm	3 3/4 95.0	2 3/4 70.0	.630 16.0	17/32 14.0	1 3/16 28.0	7/16 11.0	1.4094 35.800	1.343 34.10	0.563 14.30	0.78 19.80	3/8	ZUC205 -14 ZUC205 -15 ZUC205 -16 ZUC205 -25mm	F-205-H-PBT
ZUCF206 -18-PBT ZUCF206 -19-PBT ZUCF206 -20-PBT ZUCF206 -30m-PBT	1 1/8 1 3/16 1 1/4(s) 30mm	4 1/4 107.0	3 1/4 83.0	.709 18.0	17/32 14.0	1 7/32 31.0	7/16 11.0	1.5827 40.200	1.500 38.10	0.626 15.90	0.87 22.20	3/8	ZUC206 -18 ZUC206 -19 ZUC206 -20 ZUC206 -30mm	F-206-H-PBT
ZUCF207 -20-PBT ZUCF207 -21-PBT ZUCF207 -22-PBT ZUCF207 -23-PBT ZUCF207 -35m-PBT	1 1/4 1 5/16 1 3/8 1 7/16 35mm	4 5/8 117.0	3 5/8 92.0	.748 19.0	19/32 15.0	1 5/16 33.0	1/2 13.0	1.7480 44.400	1.689 42.90	0.689 17.50	1.00 25.40	1/2	ZUC207 -20 ZUC207 -21 ZUC207 -22 ZUC207 -23 ZUC207 -35mm	F-207-H-PBT
ZUCF208 -24-PBT ZUCF208 -40m-PBT	1 1/2 40mm	5 1/8 130.0	4 102.0	.827 21.0	21/32 17.0	1 1/2 38.0	17/32 14.0	2.0157 51.200	1.937 49.20	0.748 19.00	1.19 30.20	1/2	ZUC208 -24 ZUC208 -40mm	F-208-H-PBT

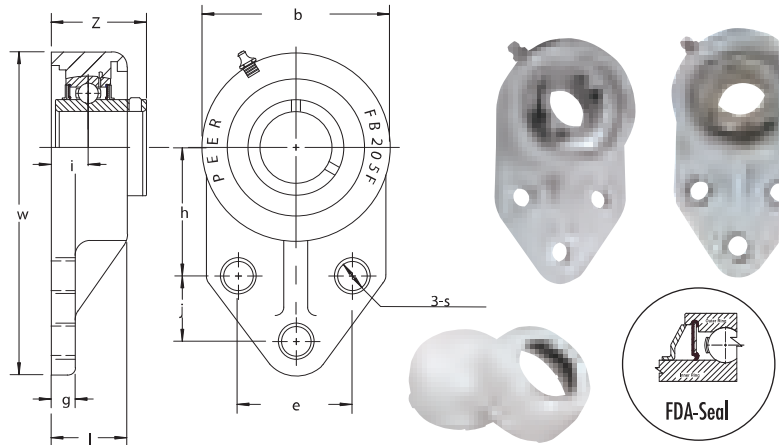
Also available with black oxide plated insert. Part number example: UCF205-16-BPBT

Thermoplastic Flange Bracket 3 Bolt

SUCFB200-PBT Stainless Bearing / ZUCFB200-PBT Zinc Plated Bearing



- For stainless steel, zinc and PBT grade specifications, see page 103
- Solid base housing construction
- Wide inner ring bearing with set screws
- Relubricatable unit with anti-rotation pin
- Supplied with water/wash resistant Mobilgrease FM102 (FDA/USDA approved)
- Standard seal: FDA approved silicone rubber seal protected by stainless steel slinger
- Base seals, end caps, and open caps w/shaft seals available



SUCFB200-PBT with Stainless Steel Insert Bearings

Unit No.	Shaft Diam.	Dimensions in mm											Bolt Size In.	Bearing No.	Housing No.	
		w	A	b	D	i	l	s	g	h	j	e				Z
SUCFB201 -8-PBT SUCFB201 -12m-PBT SUCFB202 -9-PBT SUCFB202 -10-PBT SUCFB202 -15m-PBT SUCFB203 -11-PBT SUCFB203 -17m-PBT	1/2 12mm 9/16 5/8 15mm 11/16 17mm	4 5/16 109.5	3 1/8 79.4	2 3/8 60.3	2 3/8 60.3	5/8 15.9	1 7/64 28.2	25/64 9.9	3/8 9.5	1 11/16 42.9	7/8 22.2	1 1/2 38.1	1.3465 34.200	5/16	SUC201 -8 SUC201 -12mm SUC202 -9 SUC202 -10 SUC202 -15mm SUC203 -11 SUC203 -17mm	FB-204-HA-PBT
SUCFB204 -12-PBT SUCFB204 -20m-PBT	3/4 20mm	4 5/16 109.5	3 1/8 79.4	2 3/8 60.3	2 3/8 60.3	5/8 15.9	1 7/64 28.2	25/64 9.9	3/8 9.5	1 11/16 42.9	7/8 22.2	1 1/2 38.1	1.3465 34.200	5/16	SUC204 -12 SUC204 -20mm	FB-204-HA-PBT
SUCFB205 -14-PBT SUCFB205 -15-PBT SUCFB205 -16-PBT SUCFB205 -25m-PBT	7/8 15/16 1 25mm	4 7/8 123.8	3 33/64 89.5	2 45/64 68.7	2 45/64 68.7	21/32 16.7	1 7/64 28.2	25/64 9.9	3/8 9.5	1 13/16 46.0	1 1/8 28.6	1 5/8 41.3	1.4370 36.500	5/16	SUC205 -14 SUC205 -15 SUC205 -16 SUC205 -25mm	FB-205-HA-PBT
SUCFB206 -18-PBT SUCFB206 -19-PBT SUCFB206 -20-PBT SUCFB206 -30m-PBT	1 1/8 1 3/16 1 1/4(s) 30mm	5 3/8 137.0	3 5/16 84.2	3 1/4 83.0	3 76.0	3/4 19.0	1 1/4 32.0	25/64 9.9	17/32 13.0	2 1/16 52.4	1 1/4 31.8	1 7/8 47.6	1.6220 41.200	5/16	SUC206 -18 SUC206 -19 SUC206 -20 SUC206 -30mm	FB-206-HA-PBT
SUCFB207 -20-PBT SUCFB207 -21-PBT SUCFB207 -22-PBT SUCFB207 -23-PBT SUCFB207 -35m-PBT	1 1/4 1 5/16 1 3/8 1 7/16 35mm	6 1/8 156.0	3 5/8 92.1	3 3/4 95.0	3 1/2 89.0	53/64 21.0	1 7/16 37.0	33/64 13.1	41/64 16.0	2 3/8 60.3	1 1/4 31.8	2 50.8	1.8268 46.400	7/16	SUC207 -20 SUC207 -21 SUC207 -22 SUC207 -23 SUC207 -35mm	FB-207-HA-PBT

ZUCFB200-PBT with Zinc Chromate Plated Insert Bearings

Unit No.	Shaft Diam.	Dimensions in mm											Bolt Size In.	Bearing No.	Housing No.	
		w	A	b	D	i	l	s	g	h	j	e				Z
ZUCFB201 -8-PBT ZUCFB201 -12m-PBT ZUCFB202 -9-PBT ZUCFB202 -10-PBT ZUCFB202 -15m-PBT ZUCFB203 -11-PBT ZUCFB203 -17m-PBT	1/2 12mm 9/16 5/8 15mm 11/16 17mm	4 5/16 109.5	3 1/8 79.4	2 3/8 60.3	2 3/8 60.3	5/8 15.9	1 7/64 28.2	25/64 9.9	3/8 9.5	1 11/16 42.9	7/8 22.2	1 1/2 38.1	1.3465 34.200	5/16	ZUC201 -8 ZUC201 -12mm ZUC202 -9 ZUC202 -10 ZUC202 -15mm ZUC203 -11 ZUC203 -17mm	FB-204-HA-PBT
ZUCFB204 -12-PBT ZUCFB204 -20m-PBT	3/4 20mm	4 5/16 109.5	3 1/8 79.4	2 3/8 60.3	2 3/8 60.3	5/8 15.9	1 7/64 28.2	25/64 9.9	3/8 9.5	1 11/16 42.9	7/8 22.2	1 1/2 38.1	1.3465 34.200	5/16	ZUC204 -12 ZUC204 -20mm	FB-204-HA-PBT
ZUCFB205 -14-PBT ZUCFB205 -15-PBT ZUCFB205 -16-PBT ZUCFB205 -25m-PBT	7/8 15/16 1 25mm	4 7/8 123.8	3 33/64 89.5	2 45/64 68.7	2 45/64 68.7	21/32 16.7	1 7/64 28.2	25/64 9.9	3/8 9.5	1 13/16 46.0	1 1/8 28.6	1 5/8 41.3	1.4370 36.500	5/16	ZUC205 -14 ZUC205 -15 ZUC205 -16 ZUC205 -25mm	FB-205-HA-PBT
ZUCFB206 -18-PBT ZUCFB206 -19-PBT ZUCFB206 -20-PBT ZUCFB206 -30m-PBT	1 1/8 1 3/16 1 1/4(s) 30mm	5 3/8 137.0	3 5/16 84.2	3 1/4 83.0	3 76.0	3/4 19.0	1 1/4 32.0	25/64 9.9	17/32 13.0	2 1/16 52.4	1 1/4 31.8	1 7/8 47.6	1.6220 41.200	5/16	ZUC206 -18 ZUC206 -19 ZUC206 -20 ZUC206 -30mm	FB-206-HA-PBT
ZUCFB207 -20-PBT ZUCFB207 -21-PBT ZUCFB207 -22-PBT ZUCFB207 -23-PBT ZUCFB207 -35m-PBT	1 1/4 1 5/16 1 3/8 1 7/16 35mm	6 1/8 156.0	3 5/8 92.1	3 3/4 95.0	3 1/2 89.0	53/64 21.0	1 7/16 37.0	33/64 13.1	41/64 16.0	2 3/8 60.3	1 1/4 31.8	2 50.8	1.8268 46.400	7/16	ZUC207 -20 ZUC207 -21 ZUC207 -22 ZUC207 -23 ZUC207 -35mm	FB-207-HA-PBT

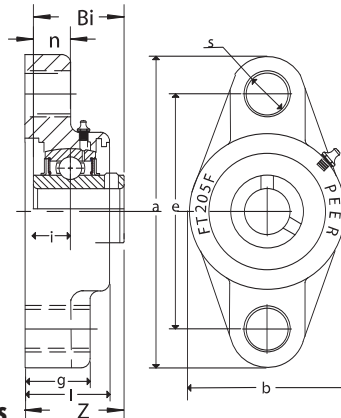
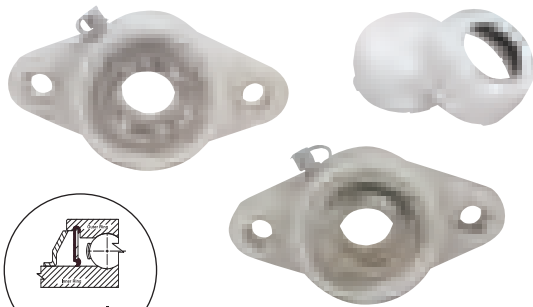
Also available with black oxide plated insert. Part number example: UCFB205-16-BPBT

Wash Down Units



Thermoplastic Flange 2 Bolt

SUCFT200-PBT Stainless Bearing / ZUCFT200-PBT Zinc Plated Bearings



- For stainless steel, zinc and PBT grade specifications, see page 103
- Solid base housing construction
- Wide inner ring bearing with set screws
- Relubricatable unit with anti-rotation pin
- Supplied with water/wash resistant Mobilgrease FM102 (FDA/USDA approved)
- Standard seal: FDA approved silicone rubber seal protected by stainless steel slinger
- Base seals, end caps, and open caps w/shaft seals available

SUCFT200-PBT with Stainless Steel Insert Bearings

Dimensions in mm														
Unit No.	Shaft Diam.	a	e	i	g	l	s	b	Z	Bi	n	Bolt Size In.	Bearing No.	Housing No.
SUCFT201 -8-PBT	1/2												SUC201 -8	FT-204-H-PBT
SUCFT201 -12m-PBT	12mm												SUC201 -12mm	
SUCFT202 -9-PBT	9/16	4 7/16	3 35/64	.591	7/16	1 1/16	7/16	2 3/8	1.3110	1.220	0.500	3/8	SUC202 -9	
SUCFT202 -10-PBT	5/8	113.0	90.0	15.0	12.0	26.5	11.0	64.0	33.300	31.00	12.70		SUC202 -10	
SUCFT202 -15m-PBT	15mm												SUC202 -15mm	
SUCFT203 -11-PBT	11/16												SUC203 -11	
SUCFT203 -17m-PBT	17mm												SUC203 -17mm	
SUCFT204 -12-PBT	3/4	4 7/16	3 35/64	.591	7/16	1 1/16	7/16	2 3/8	1.3110	1.220	0.500	3/8	SUC204 -12	FT-204-H-PBT
SUCFT204 -20m-PBT	20mm	113.0	90.0	15.0	12.0	26.5	11.0	64.0	33.300	31.00	12.70		SUC204 -20mm	
SUCFT205 -14-PBT	7/8												SUC205 -14	FT-205-H-PBT
SUCFT205 -15-PBT	15/16	5 1/8	3 57/64	.630	1/2	1 5/32	7/16	2 11/16	1.4094	1.343	0.563	3/8	SUC205 -15	
SUCFT205 -16-PBT	1	130.0	99.0	16.0	14.0	29.5	11.0	68.0	35.800	34.10	14.30		SUC205 -16	
SUCFT205 -25m-PBT	25mm												SUC205 -25mm	
SUCFT206 -18-PBT	1 1/8												SUC206 -18	FT-206-H-PBT
SUCFT206 -19-PBT	1 3/16	5 13/16	4 39/64	.709	1/2	1 7/32	7/16	3 1/8	1.5827	1.500	0.626	3/8	SUC206 -19	
SUCFT206 -20-PBT	1 1/4(s)	148.0	117.0	18.0	14.0	30.5	11.0	80.0	40.200	38.10	15.90		SUC206 -20	
SUCFT206 -30m-PBT	30mm												SUC206 -30mm	
SUCFT207 -20-PBT	1 1/4												SUC207 -20	FT-207-H-PBT
SUCFT207 -21-PBT	1 5/16	6 7/16	5 1/8	.748	19/32	1 9/32	1/2	3 9/16	1.7480	1.689	0.689	1/2	SUC207 -21	
SUCFT207 -22-PBT	1 3/8	163.0	130.0	19.0	16.0	32.8	13.0	90.0	44.400	42.90	17.50		SUC207 -22	
SUCFT207 -23-PBT	1 7/16												SUC207 -23	
SUCFT207 -35m-PBT	35mm												SUC207 -35mm	
SUCFT208 -24-PBT	1 1/2	6 7/8	5 43/64	.827	25/32	1 15/32	17/32	3 15/16	2.0157	1.937	0.748	1/2	SUC208 -24	FT-208-H-PBT
SUCFT208 -40m-PBT	40mm	175.0	144.0	21.0	20.0	37.5	14.0	100.0	51.200	49.20	19.00		SUC208 -40mm	

ZUCFT200-PBT with Zinc Chromate Plated Insert Bearings

Dimensions in mm														
Unit No.	Shaft Diam.	a	e	i	g	l	s	b	Z	Bi	n	Bolt Size In.	Bearing No.	Housing No.
ZUCFT201 -8-PBT	1/2												ZUC201 -8	FT-204-H-PBT
ZUCFT201 -12m-PBT	12mm												ZUC201 -12mm	
ZUCFT202 -9-PBT	9/16	4 7/16	3 35/64	.591	7/16	1 1/16	7/16	2 3/8	1.3110	1.220	0.500	3/8	ZUC202 -9	
ZUCFT202 -10-PBT	5/8	113.0	90.0	15.0	12.0	26.5	11.0	64.0	33.300	31.00	12.70		ZUC202 -10	
ZUCFT202 -15m-PBT	15mm												ZUC202 -15mm	
ZUCFT203 -11-PBT	11/16												ZUC203 -11	
ZUCFT203 -17m-PBT	17mm												ZUC203 -17mm	
ZUCFT204 -12-PBT	3/4	4 7/16	3 35/64	.591	7/16	1 1/16	7/16	2 3/8	1.3110	1.220	0.500	3/8	ZUC204 -12	FT-204-H-PBT
ZUCFT204 -20m-PBT	20mm	113.0	90.0	15.0	12.0	26.5	11.0	64.0	33.300	31.00	12.70		ZUC204 -20mm	
ZUCFT205 -14-PBT	7/8												ZUC205 -14	FT-205-H-PBT
ZUCFT205 -15-PBT	15/16	5 1/8	3 57/64	.630	1/2	1 5/32	7/16	2 11/16	1.4094	1.343	0.563	3/8	ZUC205 -15	
ZUCFT205 -16-PBT	1	130.0	99.0	16.0	14.0	29.5	11.0	68.0	35.800	34.10	14.30		ZUC205 -16	
ZUCFT205 -25m-PBT	25mm												ZUC205 -25mm	
ZUCFT206 -18-PBT	1 1/8												ZUC206 -18	FT-206-H-PBT
ZUCFT206 -19-PBT	1 3/16	5 13/16	4 39/64	.709	1/2	1 7/32	7/16	3 1/8	1.5827	1.500	0.626	3/8	ZUC206 -19	
ZUCFT206 -20-PBT	1 1/4(s)	148.0	117.0	18.0	14.0	30.5	11.0	80.0	40.200	38.10	15.90		ZUC206 -20	
ZUCFT206 -30m-PBT	30mm												ZUC206 -30mm	
ZUCFT207 -20-PBT	1 1/4												ZUC207 -20	FT-207-H-PBT
ZUCFT207 -21-PBT	1 5/16	6 7/16	5 1/8	.748	19/32	1 9/32	1/2	3 9/16	1.7480	1.689	0.689	1/2	ZUC207 -21	
ZUCFT207 -22-PBT	1 3/8	163.0	130.0	19.0	16.0	32.8	13.0	90.0	44.400	42.90	17.50		ZUC207 -22	
ZUCFT207 -23-PBT	1 7/16												ZUC207 -23	
ZUCFT207 -35m-PBT	35mm												ZUC207 -35mm	
ZUCFT208 -24-PBT	1 1/2	6 7/8	5 43/64	.827	25/32	1 15/32	17/32	3 15/16	2.0157	1.937	0.748	1/2	ZUC208 -24	FT-208-H-PBT
ZUCFT208 -40m-PBT	40mm	175.0	144.0	21.0	20.0	37.5	14.0	100.0	51.200	49.20	19.00		ZUC208 -40mm	

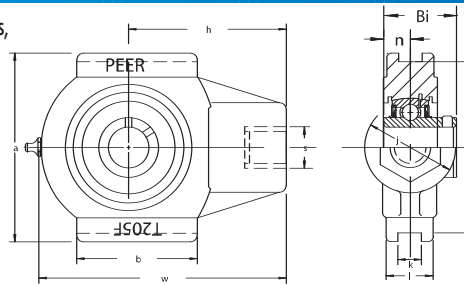
Also available with black oxide plated insert. Part number example: UCFT205-16-BPBT

Thermoplastic Take Up

SUCT200-PBT Stainless Bearing / ZUCT200-PBT Zinc Plated Bearing



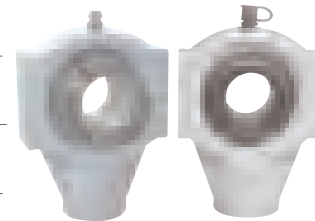
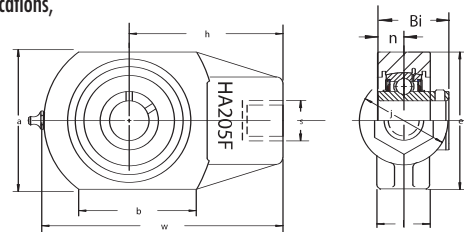
- For stainless steel, zinc and PBT grade specifications, see page 103
- Wide inner ring bearing with set screws
- Relubricatable unit with anti-rotation pin
- Supplied with water/wash resistant Mobilgrease FM102 (FDA/USDA approved)
- Standard seal: FDA approved silicone rubber seal protected by stainless steel slinger
- End caps and open caps w/shaft seals available



Dimensions in mm																
Stainless Unit No.	Zinc Unit No.	Shaft Diam.	a	e	k	s	h	l	b	w	j	Bi	n	Stainless Bearing No.	Zinc Bearing No.	Housing No.
SUCT201 -8-PBT	ZUCT201 -8-PBT	1/2												SUC201 -8	ZUC201 -8	T-204-H-PBT
SUCT201 -12m-PBT	ZUCT201 -12m-PBT	12mm												SUC201 -12mm	ZUC201 -12mm	
SUCT202 -9-PBT	ZUCT202 -9-PBT	9/16												SUC202 -9	ZUC202 -9	
SUCT202 -10-PBT	ZUCT202 -10-PBT	5/8	3 1/2	3	15/32	1/2-13	2 3/8	1 1/32	1 7/8	3 3/4	1 3/16	1.220	0.500	SUC202 -10	ZUC202 -10	
SUCT202 -15m-PBT	ZUCT202 -15m-PBT	15mm	89.0	76.2	11.9		60.3	26.2	47.6	95.3	30.2	31.00	12.70	SUC202 -15mm	ZUC202 -15mm	
SUCT203 -11-PBT	ZUCT203 -11-PBT	11/16												SUC203 -11	ZUC203 -11	
SUCT203 -17m-PBT	ZUCT203 -17m-PBT	17mm												SUC203 -17mm	ZUC203 -17mm	
SUCT204 -12-PBT	ZUCT204 -12-PBT	3/4	3 1/2	3	15/32	1/2-13	2 3/8	1 1/32	1 7/8	3 3/4	1 3/16	1.220	0.500	SUC204 -12	ZUC204 -12	T-204-H-PBT
SUCT204 -20m-PBT	ZUCT204 -20m-PBT	20mm	89.0	76.2	11.9		60.3	26.2	47.6	95.3	30.2	31.00	12.70	SUC204 -20mm	ZUC204 -20mm	
SUCT205 -14-PBT	ZUCT205 -14-PBT	7/8												SUC205 -14	ZUC205 -14	T-205-H-PBT
SUCT205 -15-PBT	ZUCT205 -15-PBT	15/16	3 1/2	3	15/32	1/2-13	2 9/16	1 1/8	1 7/8	3 15/16	1 3/8	1.343	0.563	SUC205 -15	ZUC205 -15	
SUCT205 -16-PBT	ZUCT205 -16-PBT	1	89.0	76.2	11.9		65.1	28.6	47.6	100.0	35.0	34.10	14.30	SUC205 -16	ZUC205 -16	
SUCT205 -25m-PBT	ZUCT205 -25m-PBT	25mm												SUC205 -25mm	ZUC205 -25mm	
SUCT206 -18-PBT	ZUCT206 -18-PBT	1 1/8												SUC206 -18	ZUC206 -18	T-206-H-PBT
SUCT206 -19-PBT	ZUCT206 -19-PBT	1 3/16	4 1/16	3 1/2	15/32	5/8-11	2 3/4	1 11/32	2 1/4	4 1/2	1 5/8	1.500	0.626	SUC206 -19	ZUC206 -19	
SUCT206 -20-PBT	ZUCT206 -20-PBT	1 1/4(s)	103.2	88.9	11.9		69.9	34.1	57.2	114.3	41.3	38.10	15.90	SUC206 -20	ZUC206 -20	
SUCT206 -30m-PBT	ZUCT206 -30m-PBT	30mm												SUC206 -30mm	ZUC206 -30mm	
SUCT207 -20-PBT	ZUCT207 -20-PBT	1 1/4												SUC207 -20	ZUC207 -20	T-207-H-PBT
SUCT207 -21-PBT	ZUCT207 -21-PBT	1 5/16	4 1/16	3 1/2	15/32	5/8-11	3 3/16	1 19/32	2 11/16	5 3/16	1 5/8	1.689	0.689	SUC207 -21	ZUC207 -21	
SUCT207 -22-PBT	ZUCT207 -22-PBT	1 3/8	103.2	88.9	11.9		81.0	40.5	68.3	131.8	41.3	42.90	17.50	SUC207 -22	ZUC207 -22	
SUCT207 -23-PBT	ZUCT207 -23-PBT	1 7/16												SUC207 -23	ZUC207 -23	
SUCT207 -35m-PBT	ZUCT207 -35m-PBT	35mm												SUC207 -35mm	ZUC207 -35mm	
SUCT208 -24-PBT	ZUCT208 -24-PBT	1 1/2	4 1/2	4 1/16	5/8	5/8-11	3 1/2	1 31/32	3 3/16	5 11/16	1 5/8	1.937	0.748	SUC208 -24	ZUC208 -24	T-208-H-PBT
SUCT208 -40m-PBT	ZUCT208 -40m-PBT	40mm	114.3	103.2	15.9		88.9	50.0	81.0	144.5	41.3	49.20	19.00	SUC208 -40mm	ZUC208 -40mm	

Thermoplastic Hanger SUCHA200-PBT Stainless Bearing/ZUCHA200-PBT Zinc Plated Bearing

- For stainless steel, zinc and PBT grade specifications, see page 103
- Wide inner ring bearing with set screws
- Relubricatable unit with anti-rotation pin
- Supplied with water/wash resistant Mobilgrease FM102 (FDA/USDA approved)
- Standard seal: FDA approved silicone rubber seal protected by stainless steel slinger
- End caps and open caps w/shaft seals available



Dimensions in mm																
Stainless Unit No.	Zinc Unit No.	Shaft Diam.	a	W	h	l	j	K	Bi	n	m	Stainless Bearing No.	Zinc Bearing No.	Housing No.		
SUCHA201 -8-PBT	ZUCHA201 -8-PBT	1/2										SUC201 -8	ZUC201 -8	HA-204-H-PBT		
SUCHA201 -12m-PBT	ZUCHA201 -12m-PBT	12mm										SUC201 -12mm	ZUC201 -12mm			
SUCHA202 -9-PBT	ZUCHA202 -9-PBT	9/16										SUC202 -9	ZUC202 -9			
SUCHA202 -10-PBT	ZUCHA202 -10-PBT	5/8	2 15/16	3 3/4	2 3/8	1 1/32	1 3/16	1/2-13 UNC	1.220	0.500	0.72	SUC202 -10	ZUC202 -10			
SUCHA202 -15m-PBT	ZUCHA202 -15m-PBT	15mm	74.6	95.3	60.3	26.2	30.2		31.00	12.70	18.30	SUC202 -15mm	ZUC202 -15mm			
SUCHA203 -11-PBT	ZUCHA203 -11-PBT	11/16										SUC203 -11	ZUC203 -11			
SUCHA203 -17m-PBT	ZUCHA203 -17m-PBT	17mm										SUC203 -17mm	ZUC203 -17mm			
SUCHA204 -12-PBT	ZUCHA204 -12-PBT	3/4	2 15/16	3 3/4	2 3/8	1 1/32	1 3/16	1/2-13 UNC	1.220	0.500	0.72	SUC204 -12	ZUC204 -12	HA-204-H-PBT		
SUCHA204 -20m-PBT	ZUCHA204 -20m-PBT	20mm	74.6	95.3	60.3	26.2	30.2		31.00	12.70	18.30	SUC204 -20mm	ZUC204 -20mm			
SUCHA205 -14-PBT	ZUCHA205 -14-PBT	7/8										SUC205 -14	ZUC205 -14	HA-205-H-PBT		
SUCHA205 -15-PBT	ZUCHA205 -15-PBT	15/16	2 15/16	3 15/16	2 9/16	1 1/8	1 3/8	1/2-13 UNC	1.343	0.563	0.78	SUC205 -15	ZUC205 -15			
SUCHA205 -16-PBT	ZUCHA205 -16-PBT	1	74.6	100.0	65.1	28.6	35.0		34.10	14.30	19.80	SUC205 -16	ZUC205 -16			
SUCHA205 -25m-PBT	ZUCHA205 -25m-PBT	25mm										SUC205 -25mm	ZUC205 -25mm			
SUCHA206 -18-PBT	ZUCHA206 -18-PBT	1 1/8										SUC206 -18	ZUC206 -18	HA-206-H-PBT		
SUCHA206 -19-PBT	ZUCHA206 -19-PBT	1 3/16	3 11/32	4 1/2	2 3/4	1 11/32	1 5/8	5/8-11 UNC	1.500	0.626	0.87	SUC206 -19	ZUC206 -19			
SUCHA206 -20-PBT	ZUCHA206 -20-PBT	1 1/4(s)	84.9	114.3	69.9	34.1	41.3		38.10	15.90	22.20	SUC206 -20	ZUC206 -20			
SUCHA206 -30m-PBT	ZUCHA206 -30m-PBT	30mm										SUC206 -30mm	ZUC206 -30mm			
SUCHA207 -20-PBT	ZUCHA207 -20-PBT	1 1/4										SUC207 -20	ZUC207 -20	HA-207-H-PBT		
SUCHA207 -21-PBT	ZUCHA207 -21-PBT	1 5/16	3 9/16	5 3/16	3 3/16	1 19/32	1 5/8	5/8-11 UNC	1.689	0.689	1.00	SUC207 -21	ZUC207 -21			
SUCHA207 -22-PBT	ZUCHA207 -22-PBT	1 3/8	90.5	131.8	81.0	40.5	41.3		42.90	17.50	25.40	SUC207 -22	ZUC207 -22			
SUCHA207 -23-PBT	ZUCHA207 -23-PBT	1 7/16										SUC207 -23	ZUC207 -23			
SUCHA207 -35m-PBT	ZUCHA207 -35m-PBT	35mm										SUC207 -35mm	ZUC207 -35mm			
SUCHA208 -24-PBT	ZUCHA208 -24-PBT	1 1/2	3 15/16	5 11/16	3 1/2	1 31/32	1 5/8	5/8-11 UNC	1.937	0.748	1.19	SUC208 -24	ZUC208 -24	HA-208-H-PBT		
SUCHA208 -40m-PBT	ZUCHA208 -40m-PBT	40mm	100.0	144.5	88.9	50.0	41.3		49.20	19.00	30.20	SUC208 -40mm	ZUC208 -40mm			

Wash Down Units

Also available with black oxide plated insert. Part number example: UCT205-16-BPBT or UCHA205-16-BPBT.



Electroless Nickel plated... for moderate contamination conditions

With an eye toward economy in addition to contamination resistance, these PEER units are designed with black oxide inserts and electroless nickel plated housings. The results are mounted ball bearing units ideal for applications requiring corrosion resistance superior to the protection afforded by conventional painted cast or ductile iron housings.

- Housings plated with .001" thick electroless, high phosphorous (+10%) nickel.
- Electroless nickel plated over premium (Grade 30) cast iron or high strength 65-45-12 ductile iron.

- Bearing available in all standard locking devices: set screw, eccentric locking collars or premium *GRIP-IT* locking collars.



- Black oxide bearings designed with slingers and full contact metal shroud seals for maximum protection.

- Castings available in any style listed in the PEER catalog.

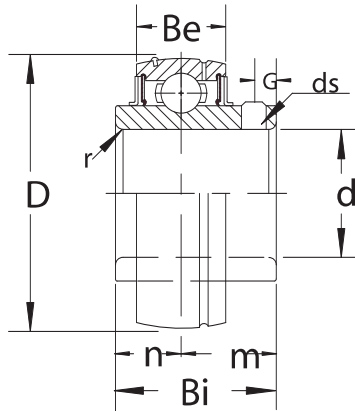
- Black oxide bearings are available in all common inch and metric shaft sizes.



Stainless Steel Insert Bearings for Units SUC200 Series Set Screw Locking



- For stainless steel grade specifications, see page 103
- Wide inner ring with spherical outer ring
- Relubrication groove with oil hole on set screw side
- Anti-rotation pin on side opposite grease groove
- Supplied with water/wash resistant Mobilgrease FM102 (FDA/USDA approved)
- Standard seal: FDA approved silicone rubber seal protected by stainless steel slinger

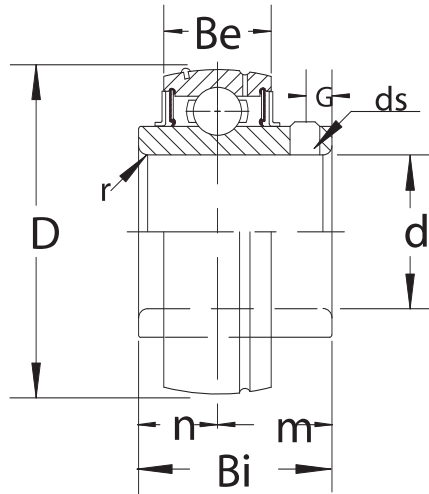


Unit No.	Shaft Diam.	Dimensions ⁱⁿ / _{mm}								Load Rating (Lbs.)	
		D	Bi	Be	r	n	m	G	ds (UnF-Thread)	Dynamic	Static
SUC201 -8 SUC202 -10 SUC204 -12 SUC204 -20mm	1/2 5/8 3/4 20mm	1.8504 47.000	1.221 31.00	0.669 17.00	0.039 1.00	0.5000 12.700	0.721 18.30	0.197 5.00	1/4-28x1/4 M6xP75x1/4	2320	1128
SUC205 -14 SUC205 -15 SUC205 -16 SUC205 -25mm	7/8 15/16 1 25mm	2.0472 52.000	1.343 34.10	0.669 17.00	0.059 1.50	0.5630 14.300	0.780 19.80	0.197 5.00	1/4-28x1/4 M6xP75	2520	1288
SUC206 -18 SUC206 -19 SUC206 -20 SUC206 -30mm	1 1/8 1 3/16 1 1/4(s) 30mm	2.4409 62.000	1.500 38.10	0.748 19.00	0.059 1.50	0.6260 15.900	0.874 22.20	0.197 5.00	1/4-28x1/4 M6xP75	3496	1856
SUC207 -20 SUC207 -21 SUC207 -22 SUC207 -23 SUC207 -35mm	1 1/4 1 5/16 1 3/8 1 7/16 35mm	2.8346 72.000	1.689 42.90	0.787 20.00	0.079 2.00	0.6890 17.500	1.000 25.40	0.236 6.00	5/16-24x5/16 M8xP1.0	4616	2520
SUC208 -24 SUC208 -40mm	1 1/2 40mm	3.1496 80.000	1.937 49.20	0.827 21.00	0.079 2.00	0.7480 19.000	1.189 30.20	0.315 8.00	5/16-24x5/16 M8xP1.0	5872	2920
SUC209 -27 SUC209 -28 SUC209 -45mm	1 11/16 1 3/4 45mm	3.3465 85.000	1.937 49.20	0.866 22.00	0.079 2.00	0.7480 19.000	1.189 30.20	0.315 8.00	5/16-24x5/16 M8xP1.0	5880	3320
SUC210 -31 SUC210 -32 SUC210 -50mm	1 15/16 2(s) 50mm	3.5433 90.000	2.032 51.60	0.945 24.00	0.079 2.00	0.7480 19.000	1.284 32.60	0.394 10.00	3/8-24x3/8 M10xP1.25	6304	3720
SUC211 -32 SUC211 -35 SUC211 -55mm	2 2 3/16 55mm	3.9370 100.000	2.189 55.60	0.984 25.00	0.098 2.50	0.8740 22.200	1.315 33.40	0.394 10.00	3/8-24x3/8 M10xP1.25	7792	4680
SUC212 -39 SUC212 -60mm	2 7/16 60mm	4.3307 110.000	2.563 65.10	1.063 27.00	0.098 2.50	1.0000 25.400	1.563 39.70	0.394 10.00	3/8-24x3/8 M10xP1.25	9424	5800

Wash Down Units

Zinc Chromate Plated Insert Bearings for Units

ZUC200 Series Set Screw Locking



- For zinc chromate insert grade specifications, see page 103
- Wide inner ring with spherical outer ring
- Relubrication groove with oil hole on set screw side
- Anti-rotation pin on side opposite grease groove
- Supplied with water/wash resistant Mobilgrease FM102 (FDA/USDA approved)
- Standard seal: FDA approved silicone rubber seal protected by stainless steel slinger

Dimensions in mm

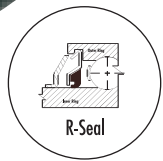
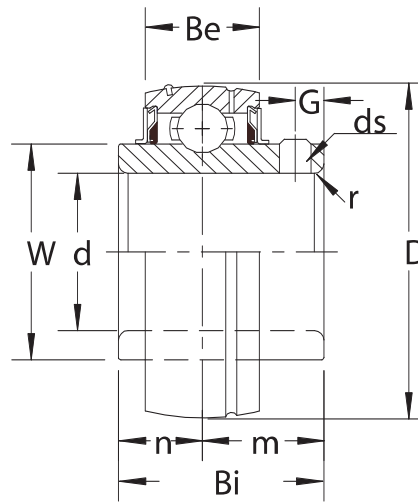
Unit No.	Shaft Diam.	D	Bi	Be	r	n	m	G	ds (UNF-Thread)	Load Rating (Lbs.)	
										Dynamic	Static
ZUC201 -8 ZUC202 -10 ZUC204 -12 ZUC204 -20mm	1/2 5/8 3/4 20mm	1.8504 47.000	1.221 31.00	0.669 17.00	0.039 1.00	0.5000 12.700	0.721 18.30	0.197 5.00	1/4-28x1/4 M6xP.75x1/4	2900	1410
ZUC205 -14 ZUC205 -15 ZUC205 -16 ZUC205 -25mm	7/8 15/16 1 25mm	2.0472 52.000	1.343 34.10	0.669 17.00	0.059 1.50	0.5630 14.300	0.780 19.80	0.197 5.00	1/4-28x1/4 M6xP.75	3150	1610
ZUC206 -18 ZUC206 -19 ZUC206 -20 ZUC206 -30mm	1 1/8 1 3/16 1 1/4(s) 30mm	2.4409 62.000	1.500 38.10	0.748 19.00	0.059 1.50	0.6260 15.900	0.874 22.20	0.197 5.00	1/4-28x1/4 M6xP.75	4370	2320
ZUC207 -20 ZUC207 -21 ZUC207 -22 ZUC207 -23 ZUC207 -35mm	1 1/4 1 5/16 1 3/8 1 7/16 35mm	2.8346 72.000	1.689 42.90	0.787 20.00	0.079 2.00	0.6890 17.500	1.000 25.40	0.236 6.00	5/16-24x5/16 M8xP1.0	5770	3150
ZUC208 -24 ZUC208 -40mm	1 1/2 40mm	3.1496 80.000	1.937 49.20	0.827 21.00	0.079 2.00	0.7480 19.000	1.189 30.20	0.315 8.00	5/16-24x5/16 M8xP1.0	7340	3650
ZUC209 -27 ZUC209 -28 ZUC209 -45mm	1 11/16 1 3/4 45mm	3.3465 85.000	1.937 49.20	0.866 22.00	0.079 2.00	0.7480 19.000	1.189 30.20	0.315 8.00	5/16-24x5/16 M8xP1.0	7350	4150
ZUC210 -31 ZUC210 -32 ZUC210 -50mm	1 15/16 2(s) 50mm	3.5433 90.000	2.032 51.60	0.945 24.00	0.079 2.00	0.7480 19.000	1.284 32.60	0.394 10.00	3/8-24x3/8 M10xP1.25	7880	4650
ZUC211 -32 ZUC211 -35 ZUC211 -55mm	2 2 3/16 55mm	3.9370 100.000	2.189 55.60	0.984 25.00	0.098 2.50	0.8740 22.200	1.315 33.40	0.394 10.00	3/8-24x3/8 M10xP1.25	9740	5850
ZUC212 -39 ZUC212 -60mm	2 7/16 60mm	4.3307 110.000	2.563 65.10	1.063 27.00	0.098 2.50	1.0000 25.400	1.563 39.70	0.394 10.00	3/8-24x3/8 M10xP1.25	11780	7250

Black Oxide Plated Insert Bearings for Units UC200-BLK Series Set Screw Locking



- For black oxide bearing specifications, see page 103
- Wide inner ring with spherical outer ring
- Relubrication groove with oil hole on set screw side
- Anti-rotation pin on side opposite grease groove
- Nylon patched class 3A set screws are standard
- Standard seal: R-Seal

Triple lip seal and other options: See page 85



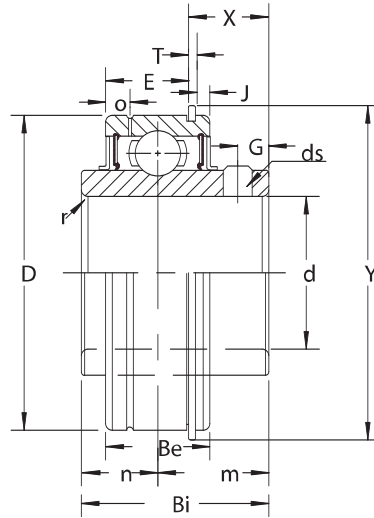
Unit No.	Shaft Diam.	Dimensions <small>in</small> <small>mm</small>								Load Rating (Lbs.)		
		D	Bi	Be	r	n	m	G	W	ds (UnF-Thread)	Dynamic	Static
		UC201 -8-BLK UC201 -12mm-BLK UC202 -9-BLK UC202 -10-BLK UC202 -15mm-BLK UC203 -11-BLK UC203 -17mm-BLK	1/2 12mm 9/16 5/8 15mm 11/16 17mm	1.8504 47.000	1.221 31.00	0.591 15.00	0.039 1.00	0.5000 12.700	0.7205 18.300	0.197 5.00	1.130 28.70	1/4-28x1/4 M6xP1.0
UC204 -12-BLK UC204 -13-BLK UC204 -20mm-BLK	3/4 13/16 20mm	1.8504 47.000	1.221 31.00	0.591 15.00	0.059 1.50	0.5000 12.700	0.7205 18.300	0.197 5.00	1.130 28.70	1/4-28x1/4 M6xP1.0	2900	1410
UC205 -13-BLK UC205 -14-BLK UC205 -15-BLK UC205 -16-BLK UC205 -25mm-BLK	13/16 7/8 15/16 1 25mm	2.0472 52.000	1.339 34.00	0.591 15.00	0.059 1.50	0.5630 14.300	0.7756 19.700	0.217 5.50	1.327 33.70	1/4-28x1/4 M6xP1.0	3150	1610
UC206 -17-BLK UC206 -18-BLK UC206 -19-BLK UC206 -20-BLK UC206 -30mm-BLK	1 1/16 1 1/8 1 3/16 1 1/4(s) 30mm	2.4409 62.000	1.500 38.10	0.709 18.00	0.059 1.50	0.6260 15.900	0.8740 22.200	0.221 5.60	1.567 39.80	1/4-28x1/4 M6xP1.0	4370	2320
UC207 -20-BLK UC207 -21-BLK UC207 -22-BLK UC207 -23-BLK UC207 -35mm-BLK	1 1/4 1 5/16 1 3/8 1 7/16 35mm	2.8346 72.000	1.689 42.90	0.748 19.00	0.079 2.00	0.6890 17.500	1.0000 25.400	0.252 6.40	1.843 46.80	5/16-24x5/16 M8xP1.0	5770	3150
UC208 -24-BLK UC208 -25-BLK UC208 -40mm-BLK	1 1/2 1 9/16 40mm	3.1496 80.000	1.937 49.20	0.866 22.00	0.079 2.00	0.7480 19.000	1.1890 30.200	0.315 8.00	2.067 52.50	5/16-24x5/16 M8xP1.0	7340	3650
UC209 -26-BLK UC209 -27-BLK UC209 -28-BLK UC209 -45mm-BLK	1 5/8 1 11/16 1 3/4 45mm	3.3465 85.000	1.937 49.20	0.866 22.00	0.079 2.00	0.7480 19.000	1.1890 30.200	0.315 8.00	2.256 57.30	5/16-24x5/16 M8xP1.0	7350	4150
UC210 -29-BLK UC210 -30-BLK UC210 -31-BLK UC210 -32-BLK UC210 -50mm-BLK	1 13/16 1 7/8 1 15/16 2(s) 50mm	3.5433 90.000	2.032 51.60	0.866 22.00	0.079 2.00	0.7480 19.000	1.2835 32.600	0.374 9.50	2.445 62.10	3/8-24x3/8 M10xP1.25	7880	4650
UC211 -32-BLK UC211 -33-BLK UC211 -34-BLK UC211 -35-BLK UC211 -55mm-BLK	2 2 1/16 2 1/8 2 3/16 55mm	3.9370 100.000	2.189 55.60	0.984 25.00	0.098 2.50	0.8740 22.200	1.3150 33.400	0.374 9.50	2.756 70.00	3/8-24x3/8 M10xP1.25	9740	5850
UC212 -36-BLK UC212 -37-BLK UC212 -38-BLK UC212 -39-BLK UC212 -60mm-BLK	2 1/4 2 5/16 2 3/8 2 7/16 60mm	4.3307 110.000	2.563 65.10	1.063 27.00	0.098 2.50	1.0000 25.400	1.5630 39.700	0.437 11.10	3.031 77.00	3/8-24x3/8 M10xP1.25	11780	7250

Wash Down Units



Stainless Steel or Zinc Plated Insert Bearings

SSER Stainless Steel / ZSER Zinc Chromate Plated Series



- For stainless steel or zinc chromate insert grade specifications, see page 103
- Set screw locking
- Wide inner ring with cylindrical outer ring and snap ring
- Relubrication groove with oil hole on side opposite of set screws
- Supplied with water/wash resistant Mobilgrease FM102 (FDA/USDA approved)
- Standard seal: FDA approved silicone rubber seal protected by stainless steel slinger

Dimensions ⁱⁿ / _{mm}

Stainless Unit No.	Zinc Unit No.	Shaft Diam.	D	Bi	Be	n	m	E	o	T	J	G	Y	X	ds (UNF-Thread)	Load Rating (Lbs.)	
																Dynamic	Static
SSER -8	ZSER -8	1/2	1.8504	1.220	0.626	0.4528	0.768	0.49	0.157	0.04	0.10	0.197	2.07	0.59	1/4-28x1/4	2320	1128
SSER -10	ZSER -10	5/8	47.000	31.00	15.90	11.500	19.50	12.37	4.00	1.07	2.46	5.00	52.70	15.08	M6x0.75		
SSER -12	ZSER -12	3/4															
SSER -20mm	ZSER -20mm	20mm															
SSER -14	ZSER -14	7/8	2.0472	1.374	0.752	0.5157	0.858	0.61	0.205	0.04	0.10	0.217	2.28	0.62	1/4-28x1/4	2520	1288
SSER -15	ZSER -15	15/16	52.000	34.90	19.10	13.100	21.80	15.57	5.20	1.07	2.46	5.50	57.90	15.78	M6x0.75		
SSER -16	ZSER -16	1															
SSER -25mm	ZSER -25mm	25mm															
SSER -18	ZSER -18	1 1/8	2.4409	1.500	0.874	0.6260	0.874	0.68	0.220	0.06	0.13	0.217	2.67	0.63	1/4-28x1/4	3496	1856
SSER -19	ZSER -19	1 3/16	62.000	38.10	22.20	15.900	22.20	17.37	5.60	1.65	3.18	5.50	67.70	15.93	M6x0.75		
SSER -20	ZSER -20	1 1/4(s)															
SSER -30mm	ZSER -30mm	30mm															
SSER -20	ZSER -20	1 1/4	2.8346	1.689	0.937	0.6890	1.000	0.75	0.220	0.06	0.13	0.256	3.09	0.72	5/16-24x5-16	4616	2520
SSER -21	ZSER -21	1 5/16	72.000	42.90	23.80	17.500	25.40	18.97	5.60	1.65	3.18	6.50	78.60	18.32	M8x1		
SSER -22	ZSER -22	1 3/8															
SSER -23	ZSER -23	1 7/16															
SSER -35mm	ZSER -35mm	35mm															
SSER -24	ZSER -24	1 1/2	3.1496	1.937	1.094	0.7480	1.189	0.90	0.252	0.06	0.13	0.315	3.41	0.83	5/16-24x5-16	5872	2920
SSER -40mm	ZSER -40mm	40mm	80.000	49.20	27.80	19.000	30.20	22.97	6.40	1.65	3.18	8.00	86.60	21.10	M8x1		
SSER -27	ZSER -27	1 1/16															
SSER -28	ZSER -28	1 3/4	3.3465	1.937	1.094	0.7480	1.189	0.90	0.252	0.06	0.13	0.315	3.61	0.83	5/16-24x5-16		
SSER -45mm	ZSER -45mm	45mm	85.000	49.20	27.80	19.000	30.20	22.97	6.40	1.65	3.18	8.00	91.60	21.10	M8x1		
SSER -31	ZSER -31	1 15/16	3.5433	2.031	1.126	0.7480	1.283	0.91	0.295	0.09	0.13	0.354	3.80	0.94	3/8-24x3/8	6304	3720
SSER -32	ZSER -32	2	90.000	51.60	28.60	19.000	32.60	23.01	7.50	2.41	3.18	9.00	96.50	23.84	M10x1.25		
SSER -32	ZSER -32	2															
SSER -50mm	ZSER -50mm	50mm															
SSER -32	ZSER -32	2	3.9370	2.189	1.189	0.8740	1.315	0.97	0.295	0.09	0.13	0.354	4.19	0.94	3/8-24x3/8	7792	4680
SSER -35	ZSER -35	2 3/16	100.000	55.60	30.20	22.200	33.40	24.61	7.50	2.41	3.18	9.00	106.50	23.84	M10x1.25		
SSER -35	ZSER -35	2 3/16															
SSER -55mm	ZSER -55mm	55mm															
SSER -39	ZSER -39	2 7/16	4.3307	2.563	1.252	1.0000	1.563	1.03	0.295	0.09	0.13	0.413	4.59	1.16	3/8-24x3/8	9424	5800
SSER -60mm	ZSER -60mm	60mm	110.000	65.10	31.80	25.400	39.70	26.21	7.50	2.41	3.18	10.50	116.60	29.40	M10x1.25		
SSER -39	ZSER -39	2 7/16															
SSER -60mm	ZSER -60mm	60mm															

Chemical Resistance Tables



Stainless Steel Bearings & Housings:

Chemical		300 Stainless	400 Stainless
Diluted Acids	Phosphoric	B	N
	Nitrous Acid	A	A
	Sulfuric Acid	B	N
Food	Food Products	A	B
	Juices (Fruit & vegetable)	A	B
	Dairy	A	C
Acids	Phosphoric	A	N
	Nitrous Acid	D	N
Water	Steam	A	B
	Tap Water (chlorinated)	A	B
	Sea Water	A	D
Other	Ammonia	A	C
	Alkalines	B	B
	Sulfites	B	D

- A = Excellent
- B = Good
- C = Fair
- D = Poor
- N = Not compatible

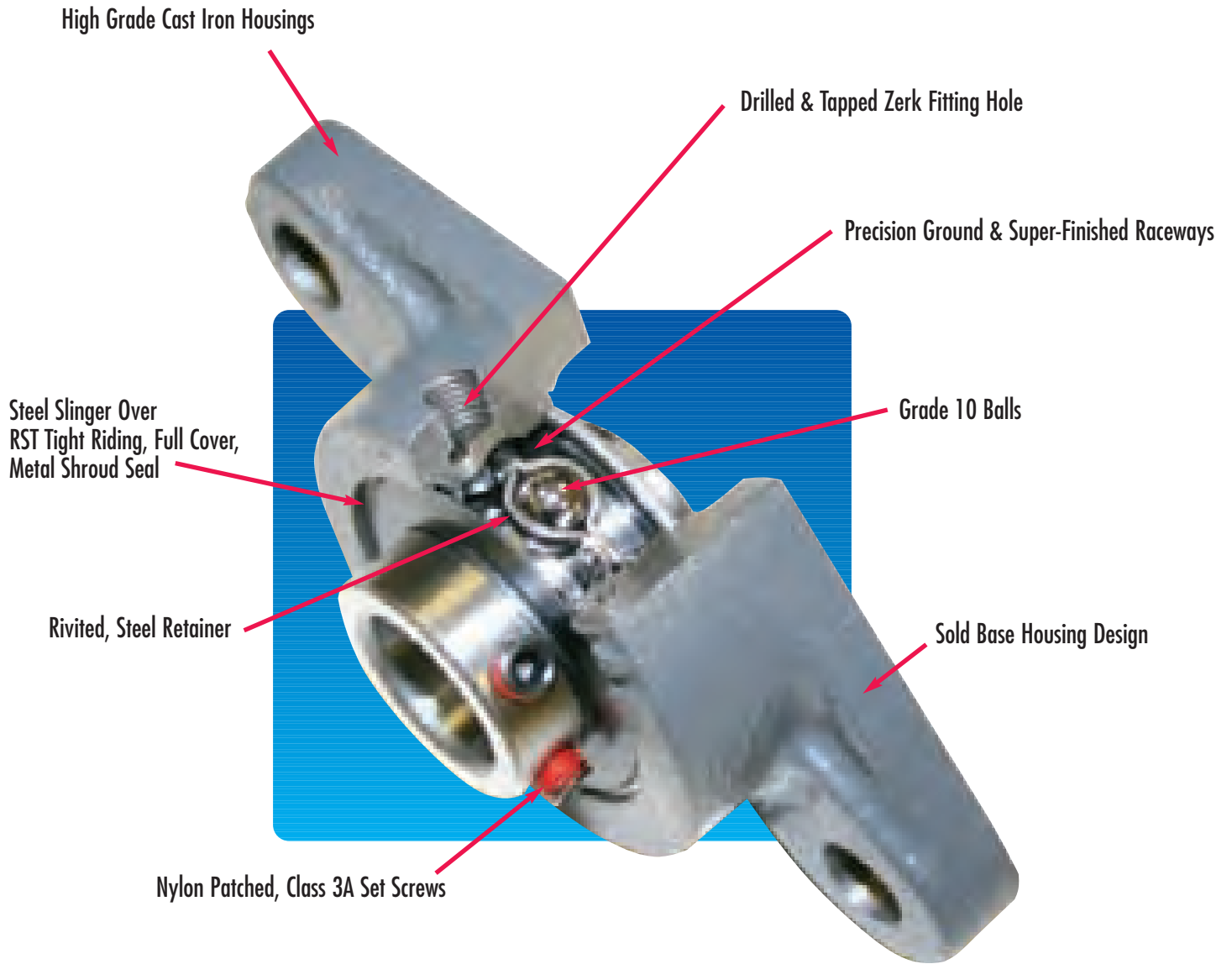
Polymer Housings:

Chemical	Concentration	PBT	Nylon 66
Acetic Acid	100%	Fair	Poor
Acetone	100%	Good	Good
Ammonia Liquid		No	Good
Aniline	100%	Good	Poor
Benzene	100%	Good	Good
Bleaching Solutions	Dilute	Good	No
Caustic Potash	10%	Good	Good
Chlorine Water	Saturated	No	Poor
Chloroform	100%	Good	No
Chromic Acid	10%	Good	Poor
Citric Acid	10%	Good	Poor
Detergent Soaps		Good	Good
Ethanol	96%	Good	Good
Fuel Oil		Good	Good
Glycerin		Good	Good
Hydrochloric Acid	30%	Poor	No
Lactic Acid	20%	Good	Poor
Methyl Alcohol	100%	Good	Good
Mineral Oil		Good	Good
Nitric Acid	50%	Good	No
Oleic Acid	100%	Good	Good
Oxalic Acid	10%	Good	No
Phosphoric Acid	85%	Good	No
Sea Water		Good	Good
Sodium Chloride (salt)		Good	Good
Sodium Hydroxide	50%	No	Good
Stearic Acid	100%	Good	Poor
Sulfuric Acid	10%	Good	No
Toluene	100%	Good	Good
Trichloroethylene		No	Good
Turpentine	100%	Good	Good
Vegetable Oil		Good	Good

Wash Down Units



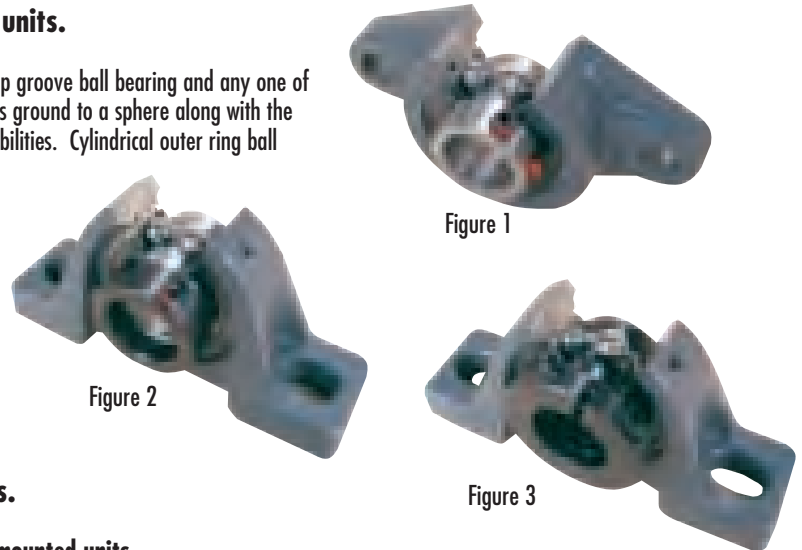
Engineering Data



A. Construction and features of ball bearing mounted units.

PEER mounted ball bearing units consist of a double sealed, single row, deep groove ball bearing and any one of many types of housings. The outer ring of the self-contained ball bearing is ground to a sphere along with the matching bore of the corresponding housing to provide self alignment capabilities. Cylindrical outer ring ball bearings are also available.

- A. Figure 1 shows a cut away view of a standard 2-Bolt flange with set screw locking (UC series shown).
- B. Figure 2 shows a cut away view of a standard pillow block housing with an eccentric locking collar bearing (HC Series shown).
- C. Figure 3 shows a cut away view of a standard pillow block housing with a Grip-It locking bearing (GR Series).



B. Typical features of PEER ball bearing mounted units.

(1) Internal construction of single row deep groove bearings in mounted units.

The ball bearings used in mounted units are quite similar to the 6200 and 6300 series of single row, deep groove, radial ball bearings. These bearings are designed to operate under radial and to a lesser degree thrust loads and combined loads. They have considerably greater load carrying capacity than double row, self aligning bearings used in some other types of mounted units.

(2) Bearing materials.

52100 Bearing Grade Steel.

PEER bearings inner ring, outer ring and balls are made of 52100 vacuum degassed steel. This high quality steel coupled with precision grinding and super finishing techniques increases bearing life and reduces bearing noise.

Stainless Steel

PEER Bearing Company's line of stainless steel bearings are designed to meet the demanding requirements of the FDA and USDA where wash-down and corrosion resistance are necessary. The full stainless steel bearings provide contamination and corrosion protection for long life.

Component	Material
Rings	Grade 440 Stainless Steel
Balls	Grade 440 Stainless Steel
Retainer	Grade 304 Stainless Steel
Slingers	Grade 304 Stainless Steel
Set Screws	Grade 304 Stainless Steel
Seals	Silicone (Si)
Grease	FDA Approved.

(3) Seals used on standard 52100 bearings. (See representative drawings on page 85)

PEER offers a multitude of bearing seal designs allowing users to select the one that is best suitable for their particular application.

- a) The most common seal design is the PEER "R" seal. This incorporates a full shroud contact seal with rubber lip and slinger assuring positive dirt exclusion. The inboard contact seal is staked securely to the outer ring and the curved Buna-N rubber lip seals along the outside of the inner ring. The metal slinger is attached to the outside of the inner ring creating a complex path for contaminants to enter the bearing.
- b) The PEER "RST" seal is similar to the contact seal used in the "R" seal design but without the slinger. It has a full cover shroud and positive rubber lip contact to the inner ring.
- c) The PEER "TRL" triple lip seals are full cover shroud style with three individual wiping lips for the most complete protection against contaminants.



- d) The PEER "DBL" double lip seals are full cover shroud style with two distinct rubber wiping lips. These are useful where additional protection is needed but high RPM's will not allow for the extra torque they require.
- e) The PEER "Z" seal is a full cover shroud non-contact shield used where high RPM's and the need for a free spinning bearing are present. Available with slinger on wide inner ring bearings.

(3a) Seals used on Stainless Steel bearings.

PEER Stainless steel bearings incorporate silicone rubber seals in compliance with FDA guidelines. Stainless steel slingers are also available on wide inner ring stainless steel bearings.

Seal Materials Comparison:

BASE POLYMER	NITRILE	SILICONE	FLUOROELASTOMER
Material Code	NBR	Si	Viton
Temperature Range	-40 F ~ 250 F (-35 C ~ 120 C)	-80 F ~ 400 F (-60 C ~ 200 C)	-30 F ~ 400 F (-35 C ~ 200 C)
Oil Resistance	E	G	E
Acid Resistance	G	F	E
Alkali Resistance	G	X	F
Water Resistance	G	G	G
Heat Resistance	G	E	E
Cold Resistance	G	E	F
Wear Resistance	E	G	E
Ozone Resistance	G	E	E

E=Excellent G=Good F=Fair X=Not Recommended

(4) Locking Mechanisms.

PEER offers 3 distinct methods of locking the bearing to the shaft.

a) Set Screw Locking

This incorporates two class 3 set screws with nylon patch spaced 62 degrees apart in the inner ring extension. The areas around the set screws are high frequency annealed to allow the use of larger diameter set screws further increasing their effectiveness. The addition of a nylon patch to the set screws prevents their backing out under high vibration situations. See Photo A



Photo A

b) Eccentric Locking Collar

The PEER eccentric locking collars are designed for use in applications where the shafts rotate in a single direction. They incorporate a matching eccentricity between the inner ring and locking collar. A radiused area in both the collar and inner ring where the eccentricity begins is instrumental in preventing cracks in this high stress area. Matching angles between the inner ring and locking collar provide optimal contact and security. PEER locking collars come standard with class 3 nylon patched set screws. See photo B

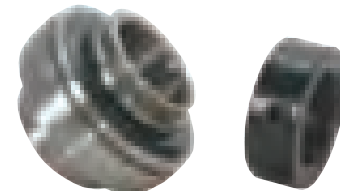


Photo B

c) "GR" Series locking

The PEER "GR" series or 'Grip It' locking design uses a concentric split collar which assembles over six split wedges of the inner ring. When the collar is tightened it forces the inner ring to grip the shaft creating a concentric bearing to shaft lock. In addition, there is no damage to the shaft from set screws which eliminates shaft refinishing after disassembly or replacement. High strength Torx drive cap screws provide maximum clamping force. See photo C



Photo C

(5) Housings.

- (a) **Cast Iron.** One piece cast iron housings provide solid construction and maximum wear resistance. Machined mounting surfaces and bearing seat insure proper mounting heights and bearing to housing alignment values. Cast or machined bolt holes make PEER interchangeable with most competitors.
- (b) **Ductile Iron.** One piece ductile or malleable iron housings are made to the same exacting standards as the PEER cast iron housings with the addition of higher tensile strength values.
- (c) **Nickel Plating.** For applications in the food, chemical and where added corrosion protection is needed, Cast iron and ductile housings are available with high phosphorous electroless nickel plating.
- (d) **Stamped Steel.** PEER offers a wide variety of stamped steel housings of various thicknesses for light load applications. These stampings are available in a wide variety of finishes such as zinc plated, yellow dichromate, black electroless or raw.
- (e) **Thermoplastic Housings.** PEER polymer housings are made of FDA recognized material and incorporate solid bases and stainless steel bolt inserts and grease fittings. When combined with PEER stainless steel or black oxide insert bearings, they are extremely resistant to corrosion and suited for use in washdown applications.
- (f) **Rubber Insulators.** PEER Nitrile rubber insulators provide insulation and noise reduction properties. The conductive rubber interliners are available for use with most styles of stamped steel housings.
- (g) **Stainless Steel.** PEER stainless steel housings are made of series 304 stainless steel and incorporate series 300 stainless steel grease fittings. Solid mounting surfaces make them ideally suited for food and chemical applications. These housings incorporate all the same machined features as our cast and ductile housings such as bearing seat, bolt holes and consistent mounting heights.

(6) Self Alignment.

The outer rings of PEER insert bearings are spherically ground to correspond with a matching spherical bearing seat on Peer housings. This spherical combination provides self-alignment features, which compensate for alignment errors, uneven mounting surfaces and shaft flexing. Misalignment of up to 5 degrees for non-relube units and 1.5 degrees for relube units is possible.

(7) Anti-rotation device.

The use of an anti-rotation pin in the outer ring prevents the bearing outer ring from turning in the housing. Located in the housing loading slot, this feature does not interfere with the self-aligning capability of the assembly. The anti-rotation pin is standard on wide inner ring bearings and an available option on flush back inner ring bearings.

(8) Interchangeability of bearings in housings.

PEER mounted units offer complete interchangeability of self-contained insert bearings in housings. This allows easy replacement of bearings in the field.

(9) Serviceability of assemblies.

PEER bearings are pre-lubricated with specially selected greases at the factory. Bearings and housings are available in a relubricable and non-relubricable version. Specialty greases and fill amounts are readily available. Relube fittings on Peer housings are available in a wide variety of styles and sizes.

(10) Handling of bearings.

Sealed bearings used in mounted units are packaged to prevent contamination of grease and damage during shipping and handling. To protect bearings and assemblies during storage, it is recommended all components remain intact. Locking collars, grease fittings and dust caps are matched to provide the optimum performance.

C. Tolerances

1. Tolerances for bearings.
- 1.1 Tolerances for inner ring.

Table 1: Tolerances on inner rings of insert bearings with cylindrical bore.

Unit: 0.001mm
(0.0001 in)

Nominal bore diameter d				Cylindrical bore					Radial run-out (max.)
Over		Including		Bore Diameter			Width		
mm	in.	mm	in.	d _{mp} Deviations		V _{dp}	Bi Deviations		
				High	Low	Max	High	low	
10	.03937	18	0.7087	+15 (+6)	0	10 (4)	0	-120 (-47)	10 (4)
18	0.7087	31.750	1.2500	+18 (+7)	0	12 (5)	0	-120 (-47)	13 (5)
31.750	1.2500	50.800	2.0000	+21 (+8)	0	14 (5.5)	0	-120 (-47)	15 (6)
50.800	2.0000	80	3.1496	+24 (+9)	0	16 (6)	0	-150 (-59)	20 (8)
80	3.1496	120	4.7244	+28 (+11)	0	19 (7.5)	0	-200 (-79)	25 (10)

d_{mp} = Single plane mean bore diameter deviation

V_{dp} = Bore diameter variation in a single radial plane

Table 1a: Bearing IR Tolerances Stainless steel bearings

Unit: 0.001mm

Bore Size		Bore Diameter				Width	
Over	Incl.	dm		d		Bi	
		High	Low	High	Low	High	Low
10	18	+18	0	+22	-4	0	-120
18	30	+21	0	+25	-4	0	-120
30	50	+25	0	+30	-5	0	-120
50	80	+30	0	+36	-6	0	-150

Note: dm is defined as the arithmetical mean of the largest and the smallest diameter obtained by two point measurements.

1.2 Tolerances for outer rings.

Table 2: tolerances on outer rings

Unit: 0.001mm
(0.0001 in)

Nominal outside diameter				Dm deviations		Radial Run-out (Max.)
Over		Incl.		High	Low	
mm	in.	mm	in.			
30	1.1811	50	1.9685	0	-11 (-4)	20 (8)
50	1.9685	80	3.1496	0	-13 (-5)	25 (10)
80	3.1496	120	4.7244	0	-15 (-6)	35 (14)
120	4.7244	150	5.9055	0	-18 (-7)	40 (16)
150	5.9055	180	7.0866	0	-25 (-10)	45 (18)
180	7.0866	250	9.8425	0	-30 (-12)	50 (20)
250	9.8425	315	12.402	0	-35 (-14)	60 (24)

Note:

1. *dm* is defined as arithmetical mean of the largest and smallest diameter obtained by two point measurements.
2. The low deviation of outside diameter *dm* does not apply within the distance of 1/4 the width of outer ring from the side.

Table 2a: Bearing OR Tolerances Stainless Steel bearings

Unit: 0.001mm

Nominal OD "D"		Dm Deviations		Radial Run-out
Over	Incl.	High	Low	Max.
30	50	0	-11	20
50	80	0	-13	25
80	120	0	-15	35
120	150	0	-18	40

Note: dm is defined as the arithmetical mean of the largest and the smallest diameter obtained by two point measurements.



2. Tolerances for cast iron housings.

2.1 Tolerances for spherical inner diameter of housings

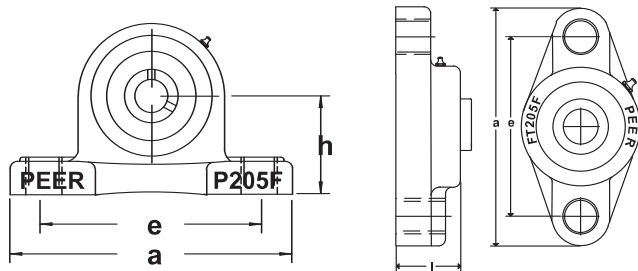
Table 3. Tolerances for spherical inner diameter of housings And resultant fits.

Unit: 0.001mm
(0.0001 in)

Nominal Spherical inside diameter (D1)				J7				K7				N6			
Over		Incl.		D1m Deviations		Resultant fit		D1m Deviations		Resultant fit		D1m Deviations		Resultant fit	
mm	in	mm	in	High	Low			High	Low			High	low		
30	1.1811	50	1.9685	+14 (+6)	-11 (-4)	25L (11L)	11T (4T)	+7 (+3)	-18 (-7)	18L (7.5L)	18T (7T)	-12 (-5)	-28 (-11)	1T (0.5T)	28T (11T)
50	1.9685	80	3.1496	+18 (+7)	-12 (-5)	31L (12L)	12T (5T)	+9 (+4)	-21 (-8)	22L (9L)	21T (8T)	-14 (-6)	-33 (-13)	1T (1T)	33T (13T)
80	3.1496	120	4.7244	+22 (+9)	-13 (-5)	37L (15L)	13T (5T)	+10 (+4)	-25 (-10)	25L (10L)	25T (10T)	-16 (-6)	-38 (-15)	1T (0)	38T (15T)
120	4.7244	150	5.9055	+26 (+10)	-14 (-6)	44L (17L)	14T (6T)	+12 (+5)	-28 (-11)	30L (12L)	28T (11T)	-20 (-8)	-45 (-18)	2T (1T)	45T (18T)
150	5.9055	180	7.0866	+26 (+10)	-14 (-6)	51L (20L)	14T (6T)	+12 (+5)	-28 (-11)	37L (15L)	28T (11T)	-20 (-8)	-45 (-18)	5L (2L)	45T (18T)
180	7.0866	250	9.8425	+30 (+12)	-16 (-6)	60L (24L)	16T (6T)	+13 (+5)	-33 (-13)	43L (17L)	33T (13T)	-22 (-9)	-51 (-20)	8L (3L)	51T (20T)
250	9.8425	315	12.402	+36 (+14)	-16 (-6)	71L (28L)	16T (6T)	+16 (+6)	-36 (-14)	51L (20L)	36T (14T)	-25 (-10)	-57 (-22)	10L (4L)	57T (22T)

D1m is defined as the arithmetical mean of the largest and the smallest diameter obtained by two point measurements.

Table 3a: Housing Tolerances (Thermoplastic PBT)



Unit: 0.01mm

Size Dimension	Pillow Blocks (P200-PBT, PAS200-PBT Series)			Flanges (FT200-PBT, F200-PBT, FB200-PBT Series)		
	h	a	e	a	e	l
204	±15	±150	±50	±150	±60	±50
205	±15	±150	±50	±150	±60	±50
206	±15	±150	±50	±150	±60	±50
207	±15	±150	±50	±150	±60	±50
208	±15	±150	±50	±150	±60	±50
209	±15	±150	±50	±150	±60	±50
210	±15	±150	±50	±150	±60	±50
211	±20	±200	±70	±200	±80	±70
212	±20	±200	±70	±200	±80	±70

Pillow Block (P200-PBT) and 2-Bolt flange (FT200-PBT) shown

Table 3b: Thermoplastic Housing Properties:

Max. Operating Temperature
280°F

Tensile Strength
17,300 PSI

Flexural strength
27,500 PSI

Compression Strength
18,000 PSI

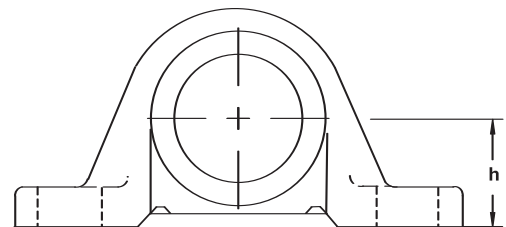
Impact
15 ft-lbs/inch

2.2 Tolerances for pillow block housings.

Table 4. Tolerances for "h" dimension for ductile and cast iron pillow block housings.

Unit: 0.0001 in. (mm)

Housing No. P, PSB, LP, PWC, PW, PA, PAS	PX00	Tolerance of h
203	--	±59 (±.15)
204	--	
205	X05	
206	X06	
207	X07	
208	X08	
209	X09	
210	X10	
211	X11	
212	X12	
213	X13	
214	X14	
215	X15	
216	X16	
217	X17	
218	X18	
-	--	±118 (±.30)
-	X20	



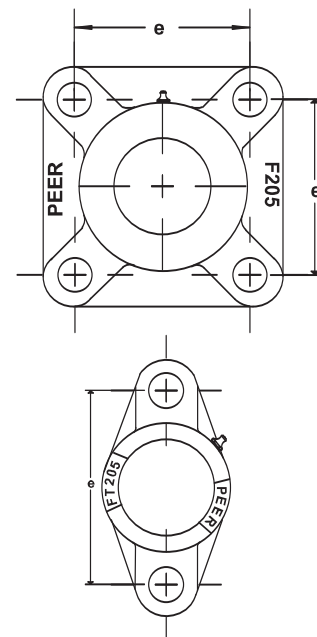
Note: h = height of mounting surface to shaft centerline

2.3 Tolerances for flange unit housings.

Table 5: tolerances for "e" dimension of ductile and cast iron flange unit housings.

Unit: 0.0001 in. (mm)

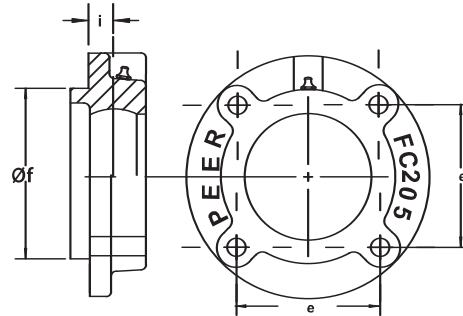
Housing No. F, FS, FT, FTS, LF, FD, FLCT, FJ, FX, F4X, F3X, F3C, FTJ	Casted tolerance of e	Machined tolerance of e
203	±236 (±.6)	±197 (±.5)
204		
205		
206		
207		
208		
209		
210		
211		
212		
213	±315 (±.8)	
214		
215		
216		
217		
218		



Note: 1) e = bolt holes centerline dimension.

2.4 Tolerances for machined back (Piloted) flange unit housings. (FC)

Table 6: Machined back flange unit housings (FC)



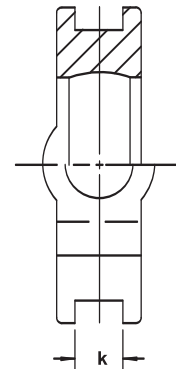
Unit: 0.0001 in. (mm)

Housing No.		Machined tolerance of e	Machined tolerance of i	Radial runout of spigot joint (Max)	Tolerance of f			
					FC200		FCX00	
					High	Low	High	Low
FC204	-	±157 (±.4)	±157 (±.4)	79	0	-39 (-.1)	0	-39 (-.1)
FC205	FCX05							
FC206	FCX06	±197 (±.5)	±197 (±.5)	118	0	-39 (-.1)	0	-39 (-.1)
FC207	FCX07							
FC208	FCX08							
FC209	FCX09							
FC210	FCX10							
FC211	FCX11							
FC212	FCX12							
FC213	FCX13							
FC214	FCX14							
FC215	FCX15							
FC216	FCX16							
FC217	FCX17							
FC218	FCX18							
--	-							
--	FCX20			157				

Note: 1) e = bolt holes centerline dimensions.
 2) i = bearing centerline distance from mounting surface.
 3) f = outside diameter of spigot joint.

Table 7: Take up slot widths - "K" dimensions

Housing No.	PEER Standard	Option	Option	Option
T-204	17/32	15/32	—	5/16
T-205	17/32	15/32	—	5/16
T-206	17/32	15/32	—	5/16
T-207	17/32	15/32	—	5/16
T-208	11/16	5/8		
T-209	11/16	5/8		
T-210	11/16	5/8		
T-211	.866	17/16	11/16	
T-212	.866	17/16	11/16	
T-213	17/16			
T-214	17/16			
T-215	17/16			
T-216	17/16			
T-217	17/16			



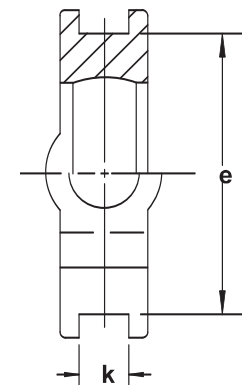
2.5 Tolerances for take up housings. (T)

Table 8: Tolerances for "K" and "e" dimensions

For take up housings (T)

Unit: 0.0001 in.

Housing No.		Tolerance Of K	Tolerance of e	Tolerance of parallelism between both grooves (Max.)
T-204	—	+79 0	0 -197	157
T-205	T-X05			
T-206	T-X06			
T-207	T-X07			
T-208	T-X08			
T-209	T-X09			
T-210	T-X10			
T-211	T-X11			
T-212	T-X12			
T-213	T-X13			
T-214	T-X14			
T-215	T-X15			
T-216	T-X16			
T-217	T-X17			



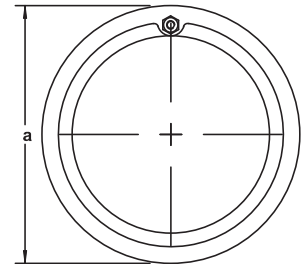
Note: 1) K = width of guide rail grooves
2) e = the span of guide rail grooves

2.6 Tolerances for cartridge unit housings[LL11].

Table 9: Tolerances for cartridge unit housings (C)

Unit 0.0001 in.

Housing No.		Tolerance of a				Radial runout of outside surface (Max.)	Tolerance of l
		C200		CX00			
		High	Low	High	Low		
C204	--	0	-12	--	--	79	±79
C205	CX05						
C206	CX06	0	-14	0	-14		
C207	CX07						
C208	CX08						
C209	CX09	0	-14	0	-14		
C210	CX10						
C211	CX11	0	-16	--	--	118	±118
C212	CX12						
C213	--						



Note: 1) a = outside diameter of cartridge housings.
2) l = width of cartridge housings.

2.7 Tolerances for standard castings.

Table 10: Standard casted tolerances.

Unit: inches (mm)

Nominal Dimensions	Up to 3.4 inches	3.4 up to 7.87 inches	7.87 up to 15.65 inches	15.65 up to 31.50 inches
Tolerances	±.039 (±1.0)	±.059 (±1.5)	±.098 (±2.5)	±.118 (±3.0)

Tolerances of thickness

Unit: inches (mm)

Nominal Dimension	Up to .197 inches	.197 up to .394 inches	.394 up to .787 inches	.787 up to 1.181 inches	1.181 up to 1.575 inches
tolerances	±.039 (±1.0)	±.059 (±1.5)	±.079 (±2.0)	±.118 (±3.0)	±.157 (±4.0)

Table 11: Machined tolerances For all machined tolerances not otherwise specified in this catalog.

Unit: inches (mm)

Nominal dimension				Dimensional Tolerances
Over		Incl.		
mm	in	mm	in	
4	0.1575	16	0.6299	±.0118 (±.3)
16	0.6299	63	2.4803	±.0159 (±.4)
63	2.4803	250	9.8425	±.0197 (±.5)

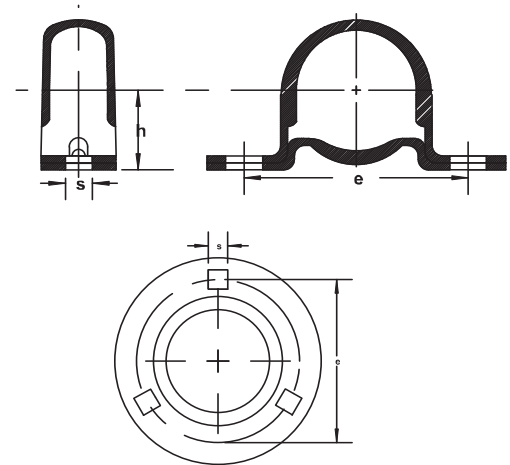
3. Tolerances for pressed steel units.

Table 12: Tolerances for pressed steel housings [LL12].

Unit: 0.0001 in.

Housing No.	e	s	h
PP-3Z TO PP-9Z	±118	±79	±100
PF-3R TO PF-7R			
PFF-7R TO PFF-11R			
PFL-3R TO PFL-7R			

Note: 1) e = centerline dimension
 2) s = bolt hole dimension
 3) h = base to center height.



4. Suggested tolerances for shaft

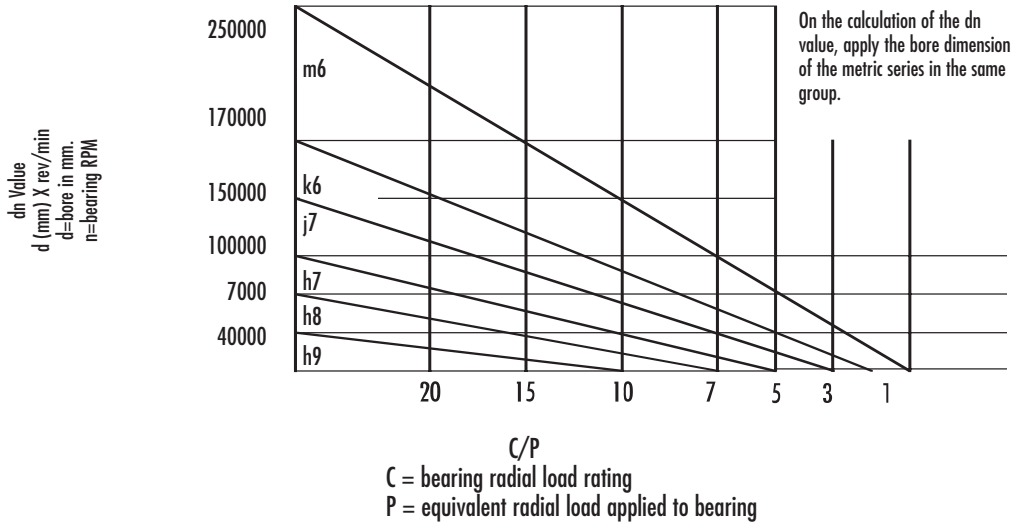
Table 13: Shaft tolerances for cylindrical bore insert bearings.

Unit: 0.0001 in

Shaft Diameter				Shaft Tolerances											
Over		Incl.		h7		h8		h9		j7		k6		m6	
mm	in	mm	in	High	Low	High	Low	High	Low	High	Low	High	Low	High	Low
10	0.3937	18	0.7087	0	-7	0	-11	0	-17	+5	-2	+5	0	+7	+3
18	0.7087	30	1.1811	0	-8	0	-13	0	-20	+5	-3	+6	+1	+8	+3
30	1.1811	50	1.9685	0	-10	0	-15	0	-24	+6	-4	+7	+1	+10	+4
50	1.9685	80	3.1496	0	-12	0	-18	0	-29	+7	-5	+8	+1	+12	+4
80	3.1496	120	4.7244	0	-14	0	-21	0	-34	+8	-6	+10	+1	+14	+5
120	4.7244	140	5.5118	0	-16	0	-25	0	-39	+9	-7	+11	+1	+16	+6

4.1 Suggested shaft tolerances using set screw locking bearings.

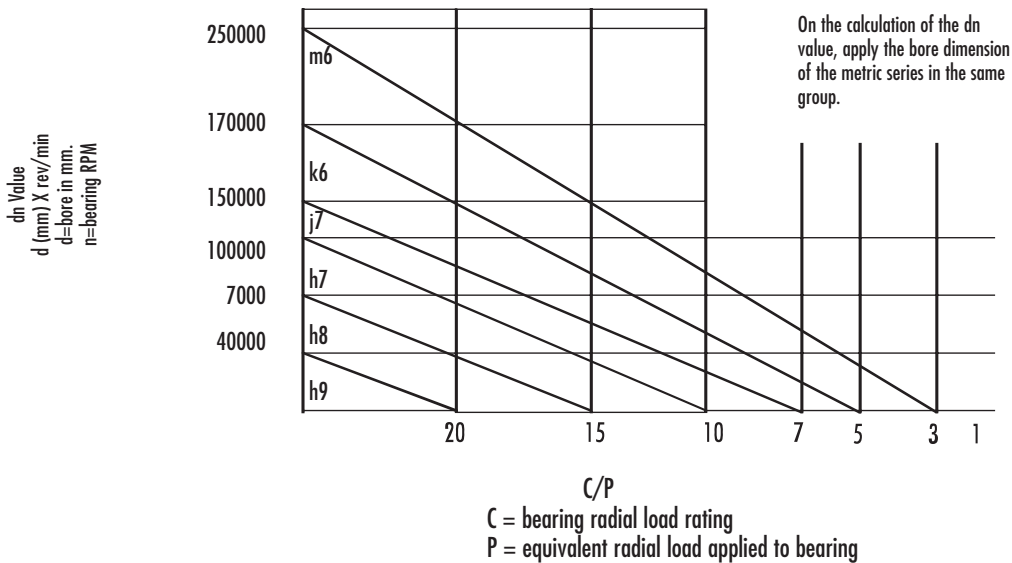
Table 14: Suggested shaft tolerances for set screw locking bearing units.



Note: For low speed and/or low load applications, loose fits are adequate. However, for higher speed and/or load applications, tighter fits are suggested.

4.2 Suggested shaft tolerances using eccentric locking collar bearings.

Table 15: Suggested shaft tolerances for eccentric locking collar bearing units.



As in the case of the set screw system, it is usual under normal operating conditions, to fit the inner ring to the shaft by means of a clearance fit for ease of assembly.

Table 15.1: Eccentric locking collar shaft tolerance quick reference chart.

Unit: 0.0001 in.

Shaft Diameter	Shaft Tolerance
1/2" - 1 15/16"	Nominal to -10
2" - 3 15/16"	Nominal to -16

D. Mounting

Locking to the shaft.

Cylindrical bore bearings- Set screw locking.

For normal operating conditions, ball bearings are fixed to the shaft with socket head set screws as illustrated in figures 4 and 5. It is recommended that the shaft have flats or recesses in the areas where the set screws will contact it. This eliminates the formation of burrs on the shafting

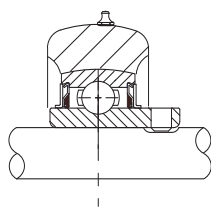


Figure 4

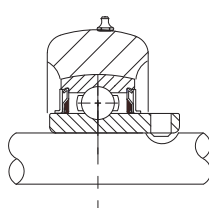


Figure 5

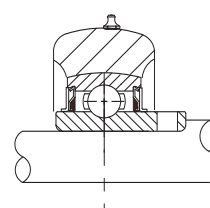


Figure 6

Where vibration, shock and or thrust loads are anticipated, it is recommended that the shaft have a machined shoulder or auxiliary locking collar against which the bearing inner ring can be mounted. See figure 6. Set screws on cylindrical bore bearings should be tightened incrementally and firmly to prevent rotation of the shaft in the bearing bore. Tighten one set screw to sufficiently contact the shaft, then tighten the second set screw to the full torque requirement, and then tighten the first set screw to the full torque requirement. It is also recommended the set screws be re-tightened after 24 hours of operation. Tightening torque values are shown in table 16. Caution should be taken to not over tighten the set screws as this can cause inner ring distortion instigating an eccentric rotation and out of balance situation.

It is important to mention that PEER high frequency anneals the inner ring in the areas around the set screws. In addition to preventing cracking of the inner ring during set screw tightening, this allows the use of larger diameter set screws increasing the holding power. Set screw sizes and hex sizes are shown in table 16. PEER also uses a special set screw spacing to increase holding power of the set screws during operation.

Table 16: Tightening torque of set screws in set screw locking bearings.

Bearing No.			Size	Hex width	Tightening torque In-Lbs.
UC/SER	UCX	FHS			
201-205	X05	201-206	1/4-28x1/4	1/8	77.9
201-205(mm)		201-206(mm)	M6xP1.0		77.9
206-209	X06-X08	207-209	5/16-24x5/16	5/32	156
206-209(mm)		207-209(mm)	M8xP1.0		156
210-213	X10-X12	210-213(mm)	3/8-24x3/8	3/16	273
210-213(mm)			M10xP1.25		273
214-217	X13-X16		7/16-20x7/16	7/32	428
214-217(mm)			M12xP1.5		428
218	X17		1/2-20x1/2	1/4	615
218(mm)			M12xp1.5		428

Note: based on class 3A, alloy steel, knurled cup point set screws, cold forged with black oxide finish. Hardness value of 45-53 used in annealed inner rings with class 3B set screw holes. Other set screw styles and types are available upon request.

Table 16:a Stainless Steel Set Screw Tightening Torque Requirements

Size	Set Screw	Torque (in-lbs)
201-206	1/4-28	54
207-209	5/16-24	110
210-212	3/8-24	205



Cylindrical bore bearings-Eccentric locking collars.

Eccentric locking collar bearings are locked to the shaft by aligning the eccentric area of the collar against the corresponding eccentric area of the inner ring and rotating the collar in the direction of shaft rotation. Using a punch in the blind hole on the collar, tap the punch in the direction of shaft rotation. The eccentric locking collar will continually tighten during shaft rotation. Tightening the set screw in the locking collar to the shaft using the torque values shown in table 17 will provide limited holding power and is not to be relied upon solely for securing the shaft.

Eccentric Locking collar bearings are to be used in single direction rotating applications only. If a reversing rotation is desired or expected, set screw locking or "Grip-It" style bearings are required. If thrust or axial loads are expected on locking collar bearings, the use of a machined shoulder or auxiliary locking device is required.

Table 17: Tightening torque of set screw in eccentric locking collar.

Eccentric Locking Collar	Inch Size		
	Set screw Dimensions		Tightening Torque In-Lbs.
	UNF Threading	Width across flats	
ER6004-6006	10-32x1/4	3/32	33.5
ER201-203	1/4-28x1/4	1/8	77.9
ER204	1/4-28x1/4	1/8	77.9
ER205	1/4-28x1/4	1/8	77.9
ER206	5/16-24x5/16	5/32	156
ER207-210	3/8-24x3/8	3/16	273
ER211-213	7/16-20x7/16	7/32	428

Note: Metric bore bearings use metric size set screws in the locking collars. See table 16 for tightening torque of metric size set screws.

ECCENTRIC LOCKING COLLAR ASSEMBLY PROCEDURES



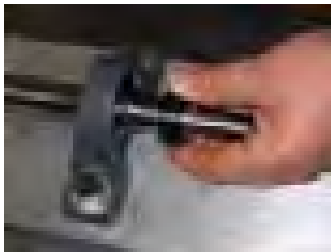
Slide Shaft into bearing bore. Shaft must be straight, true and free of nicks and burrs. properly aligned in the housing.



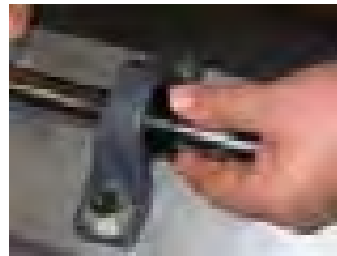
Locate bearing/shaft on mounting surface. Mounting surface should be flat and stable. If needed, align bearing to insure it is



Secure housing to mounting surface.



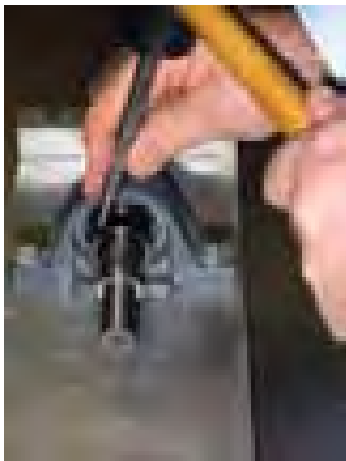
If possible, rotate shaft by hand in direction of final rotation to insure the bearing turns freely and smoothly. Slide locking collar over shaft.



Engage locking collar by rotating Collar **IN DIRECTION OF SHAFT ROTATION** so the eccentricity of the collar mates with the eccentricity of the inner ring.



Insert a drift punch in blind hole of locking collar. Punch must be positioned so striking it rotates the collar **IN THE DIRECTION OF SHAFT ROTATION**



Using a lightweight hammer, strike Drift punch smartly to engage the Collar **IN THE DIRECTION OF SHAFT ROTATION**. (Illustration shown for counter-clockwise shaft rotation)



DO NOT STRIKE PUNCH IN SUCH A MANNER AS TO EXERT FORCE STRAIGHT DOWN ONTO THE BEARING INNER RING.



Tighten the set screw to prescribed torque.



Cylindrical bore bearings-Concentric “Grip-It” bearings.

“GR” series or Grip-It bearings are locked to the shaft by tightening the concentric collar over the inner ring extension via the cap screw. As the cap screw is tightened, the collar compresses the inner ring extensions capturing the shaft in a concentric manner. Recommended cap screw torque values can be found in table 18.

This mounting style maintains superb shaft to bore concentricity eliminating vibration and fretting corrosion normally associated with insert bearings. In addition, since there is no screw intrusion into the shaft, there is no need to refinish or dress the shaft after removal or replacement of the Bearing.

Table 18: Grip-It series cap screw torque recommendations

“GR” Grip-It Locking			
Size	Cap Screw Size	Wrench Size	Tightening Torque in-lbs
GR204 – GR206	8-32	T-25	55-60
GR207 – GR209	10-24	T-27	70-80
GR210 – GR211	1/4-20	T-30	140-160
GR212 – GR214	5/16-18	T-45	340-360
GR215 – GR216	3/8-16	T-50	400-550

5 Greasing:

5.1 greasing intervals.

PEER mounted unit insert bearings are pre-lubricated at the factory and are ready for operation. Under normal operating conditions it is normal for a small amount of grease to purge from the seals during initial start up. This condition will stop once optimum grease fill has been obtained. Re-lubrication of PEER insert bearings is determined by operating conditions and environment. Greases used in re-lubricating PEER bearings should be NLGI # 2 compatible with a lithium thickener, mineral base oil and a temperature range of -10 to +260 degrees F. General greasing intervals based on RPM and operating conditions are shown in table 19. However, experience is the preferred method of determining greasing intervals and fill amounts.

Table 19: Greasing intervals.

Type of unit	dn value	Environmental conditions	Operating temperature F	Relubrication Frequency	
				Hours	Period
Standard	40,000 and below	Ordinary	5 to 176	1500 to 3000	6 to 12 months
Standard	70,000 and below	Ordinary	5 to 176	1000 to 2000	3 to 6 months
Standard	70,000 and below	Ordinary	176 to 212	500 to 700	1 month
Heat-resistant	70,000 and below	Ordinary	212 to 284	300 to 700	1 month
Heat-resistant	70,000 and below	Ordinary	284 to 338	300 to 700	1 month
Heat-resistant	70,000 and below	Ordinary	338 to 392	100	1 week
Cold-resistant	70,000 and below	Ordinary	76 to 176	1000 to 2000	3 to 6 months
Standard	70,000 and below	Very Dusty	5 to 212	100 to 500	1 week to 1 month
Standard	70,000 and below	Exposed to water	5 to 212	30 to 100	Daily to weekly

d = inner diameter of bearing (mm)

n = speed in RPM

5.2 Grease fill amounts

Care should be taken when re-greasing bearings to avoid overfilling. Overfilling can lead to excessive heat and or unseating of the seals. Grease should be introduced in small increments and under light pressure. The use of pneumatic greasing equipment is not recommended unless low pressure is assured. Whenever possible, the shaft should be rotated during relubrication to insure proper grease distribution throughout the raceways.

The grease fill shown in table 20 provides a general rule for re-greasing amounts. However, it is preferred that experience dictates fill amounts due to wide variances in applications and operating environments.

Table 20: Grease fill amounts.

Series	Fill Amount
201-205	2 grams
206-208	3 grams
209-212	5 grams
213-218	8 grams

5.3 Grease fittings.

PEER offers many styles and types of grease fittings. Figure 7 illustrates some of the many styles and sizes PEER units can be equipped with. Optional fitting materials, thread designs and additional styles are available by special order. Table 21 shows the standard fitting sizes used on PEER units.

Table 21: Grease fitting equipped in PEER ball bearing mounted units.

Bearing Number	Fitting Name	Thread Size
203-209	Zerk-1/4-28	1/4-28 UNF
210-218	Zerk-PS-18	1/8-27 NPT

Note: Optional 90° and 45° fittings available.

Location of zerk hole on pillow block units.

PEER has the ability to locate the zerk hole in a wide variety of locations on the pillow block housings. Table 22 shows our standard location. See figure 8 and figure 9. Special locations are available by request.

Table 22: Location of zerk fitting on pillow block units.

Unit no.	Location
203-209	Angle - Figure 8
210-218	Top - Figure 9

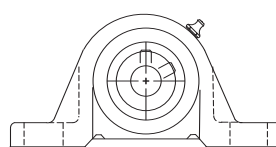


Figure 8

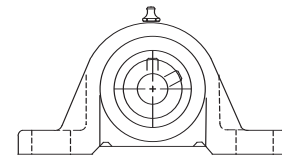


Figure 9

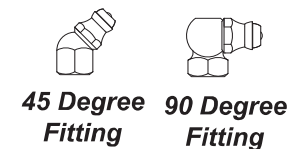


Figure 7



5.4 Grease types.

PEER bearings are pre-lubricated with standard grease suitable for a wide variety of applications, speeds, temperatures and environments. Special greases are readily available. Shown in table 23 is a small sampling of standard and special greases offered.

Table 23: Greases and operating temperatures.

Manufacturer trade name.	Recommended operating temperature range F	Properties				
		Thickener	Base oil	Water resistant	Viscosity CST @	
					40C	100C
Shell Alvania RL2	-10 to +260	Lithium	Mineral	Yes	98	9.4
Shell Alvania RL3	0 to +230	Lithium	Mineral	Yes	98	9.4
Exxon Polyrex EM	-40 to +350	Polyurea	Mineral	Yes	115	12.2
Chevron SRI #2	-20 to +350	Polyurea	Mineral	Yes	110	11
Chevron FM NLGI #2	-40 to +300	Polyurea	Mineral	Yes	220	18
Krytox 240AC / GPL	-30 to +550	Synthetic	Synthetic	Yes	270	26

Note: Operating temperature, environment, RPM and load all play a role in selecting the appropriate grease for each application. Experience and field data are the best method of selecting the correct grease.

6. Internal radial clearance.

Internal clearance between the balls and ball raceways in insert ball bearings permits interference fits on the bearing rings without preloading the bearings. In addition, the internal clearance is designed to allow for slight thermal expansion of the shafting in the inner ring and slight misalignment of the inner and outer rings. Proper internal clearance is particularly important for bearings operating at high speeds or under high temperatures and or loads.

Radial clearance can be defined as the average diameter of the outer ring raceway, minus the average diameter of the inner ring raceway, minus twice the ball diameter. The result is the amount of radial internal clearance. Generally, radial clearance is measured on assembled bearings by displacing the outer ring radially with respect to the inner ring under a reversing light gauge load. Table 24 shows the most common internal clearance classifications.

Table 24: Internal radial clearance for cylindrical bore insert bearings

Unit: 0.001mm / 0.0001 in.

Nominal bore diameter d				Radial internal clearance																			
				C2				C0				Standard / C3				C4				C5			
Over		Incl.		min.		max.		min.		max.		min.		max.		min.		max.		min.		max.	
mm	in	mm	in	mm	in	mm	in	mm	in	mm	in	mm	in	mm	in	mm	in	mm	in	mm	in	mm	in
10	0.3937	18	0.7087	0	0	9	4	3	1	18	7	11	4	25	10	18	7	33	13	25	10	45	18
18	0.7087	24	0.9449	0	0	10	4	5	2	20	8	13	5	28	11	20	8	36	14	28	11	48	19
24	0.9449	30	1.1811	1	0	11	4	5	2	20	8	13	5	28	11	23	9	41	16	30	12	53	21
30	1.1811	40	1.5748	1	0	11	4	6	2	20	8	15	6	33	13	28	11	46	18	40	16	64	25
40	1.5748	50	1.9685	1	0	11	4	6	2	23	9	18	7	36	14	30	12	51	20	45	18	73	29
50	1.9685	65	2.5591	1	0	15	6	8	3	28	11	23	9	43	17	38	15	61	24	55	22	90	35
65	2.5591	80	3.1496	1	0	15	6	10	4	30	12	25	10	51	20	46	18	71	28	65	26	105	41
80	3.1496	100	3.9370	1	0	18	7	12	5	36	14	30	12	58	23	53	21	84	33	75	30	120	47
100	3.9370	120	4.7244	2	1	20	8	15	6	41	16	36	14	66	26	61	24	97	38	90	35	140	55
120	4.7244	140	5.5118	2	1	23	9	18	7	48	19	41	16	81	32	71	28	114	45	105	41	160	63

Note: Peer standard is C3 clearance for all ball bearing units except SER series, which utilizes C4 internal clearance.

6.1 Load ratings

The load ratings shown in table 25a apply to all PEER deep groove, mounted unit, ball bearings manufactured using 52100 bearing grade steel. See table 25b for load ratings of PEER stainless steel bearings.

Load ratings for cylindrical bore UC, HC, FHS, FHSR, FH, FHR, GR and SER series bearings are identical. The load ratings in table 25a have been calculated per ABMA standard 9-1990 and conform to ISO standard 281.

Table 25a; Load rating data 52100 steel bearings.
Unit: Lbf

Bearing Number							Basic Load Rating	
UC	HC	GR	FH	FHS	UCX	SER	Dynamic (Cr)	Static (Cor)
2015-203S	2015-203S		201-203	201-203			2160	1000
201-204	201-204	201-204	204	204		8-12	2900	1410
205	205	205	205	205		14-16	3150	1610
206	206	206	206	206	X05	17-20s	4370	2320
207	207	207	207	207	X06	20-23	5770	3150
208	208	208	208	208	X07	24-25	7340	3650
209	209	209	209	209	X08	26-28	7350	4150
210	210	210	210	210	X09	29-31	7880	4650
211	211	211	211	211	X10	32-25	9740	5850
212	212	212			X11	36-39	11780	7250
213	213				X12	40	13980	8000
214	214				X13		14000	8800
215	215				X14		14830	9750
216	216				X15		16280	10500

NOTE: These dynamic load ratings (Cr) are based on an interference shaft fit. ABMA standard 9-1990 recommends that for slip or loose shaft fits, divide the basic dynamic load rating (Cr) by 1.3 to obtain the de-rated value. For PEER GR series bearings, where shaft to bore concentricity is maintained, the de-rating factor can be reduced to 1.1 or eliminated depending on application parameters.

Table 25b: Load Rating data Stainless Steel Bearings
Unit: Lbf

Bearing Number		Load Rating	
SUC	SFHS	Cr Dynamic	Cor Static
204	204	2227	1500
205	205	2425	1763
206	206	3373	2535
207	207	4431	3439
208	208	5026	4012
209	209	5666	4586
210	210	6063	5225
211	211	7496	5622
212	212	9039	6944



E. Load Capacity and Life

Many factors influence the selection of a bearing for a particular application. The most common of these is the selection of a bearing based on its load carrying capacity and life calculations. A numerical value termed BASIC LOAD RATING has been assigned each insert bearing to be used in the life calculations. Values for the basic dynamic (C_r) and static (C_{or}) load capacity can be found in table 25 and on the individual insert bearing dimension pages of this catalog.

1) Basic Load Rating

The basic dynamic load rating (C_r) is used in calculations involving dynamically stressed bearings, when selecting a bearing which is to rotate under a radial load. This load rating expresses the dynamic load a specific bearing will operate under for a life of 1,000,000 revolutions (33 1/3 RPM for 500 hours).

2) Life

The life of an individual bearing is defined as the number of revolutions which the bearing is capable of enduring before fatigue occurs on the rings or balls.

Dynamic load ratings are based on the life that 90% of a group of identical bearings can be expected to reach or exceed. The majority of PEER bearings attain much longer life than this. The median life is approximately five times the calculated life rating.

2.1) Life calculation

The relationship between the basic rating life, the basic dynamic load rating and the applied load is expressed by the equation:

$$L_{10} = (C_r/P)^p$$

Where

L_{10} = basic rating life in millions of revolutions.

C_r = basic dynamic load rating, Lbf.

P = equivalent dynamic applied load, Lbf.

p = exponent for the life equation. For ball bearings the p value is 3.

For bearings operating under a steady applied load and at a constant speed, a basic life expressed in operating hours uses the equation:

$$L_{10h} = (C_r/P)^3 \times 16667/n$$

Where

L_{10h} = basic life in operating hours

n = operating speed, RPM.

The basic rating life expressed as either L_{10} or L_{10h} should be used when selecting a bearing size.

Example 1: Determining L_{10h} life.

An UC205-16 bearing is operating at 700 RPM with an applied radial load of 350 Lbf. The calculation for minimum (L_{10h}) is;

From table 25 we know an UC205-16 bearing has a basic dynamic load rating (C_r) of 3150 Lbf. Therefore $(C_r/P)^3 = (3150/350)^3$ or 729. Given the RPM of 700 we know $16667/700 = 23.81$. Therefore, $729 \times 23.81 = 17,357.5$ hours.

Example 2: Selecting a bearing.

A bearing is required to operate under a radial load (P) of 674 Lbf. At a constant speed of 2000 RPM and achieve a L_{10h} life of 15,000 hours. To select the bearing we use the equation;

$$C_r = P \times ((L_{10} \times \text{RPM}) / 16,667)^{1/3} \text{ or } 674 \times ((15,000 \times 2000) / 16667)^{1/3} \text{ or } C_r = 8199 \text{ Lbf.}$$

Using this information and table 24 we find we need to use a bearing of size 211 at minimum to achieve this.

Example 3: Finding maximum load (P).

An UC204-12 bearing is to achieve a L_{10h} of 10,000 hours while operating at 1500 RPM. To calculate the maximum steady radial load we can apply use the formula;

$$P = C_r / ((L_{10} \times \text{RPM}) / 16667)^{1/3} \text{ or } P = 2900 / ((10,000 \times 1500) / 16667)^{1/3} \text{ or } P = 300 \text{ Lbf.}$$



2.2 Static load rating

In cases where the bearings are to rotate at relatively low speeds, have slow oscillating movements, or are exposed to shock loads, a basic static (C_{or}) load rating must be taken into consideration.

2.21 Thrust Load rating

PEER inserts are manufactured to the same standards as deep groove Conrad bearings and therefore designed mainly for radial loads. While they will accept a certain amount of thrust or axial loading their core intent is for radial loading. In cases where there is a thrust or axial load applied to PEER insert bearings, it is desired that the thrust load be less than 1/3 of the bearings basic dynamic load rating (C_r) value. In no case should the thrust load exceed the bearings static load capacity (C_{or}) value.

2.22 Combined loads.

Deep groove ball bearings are designed to accept a radial load. However, they are capable of handling a small degree of axial or thrust load in addition to the radial load.

In applications where both a radial and axial load is acting on a bearing, a combined load value needs to be used in the life calculations. This equivalent dynamic radial load is defined as the hypothetical load, constant in magnitude and direction, acting radially on insert radial bearings, which would have the same influence on bearing life as the actual loads to which the bearing is to be subjected. Assuming constant load, $P_o = C_1(xF_r + yF_a)$ where C_1 = impact factor, F_r = the radial load and F_a = the axial load, x and y vary depending on the F_a/C_{or} and F_a/F_r ratios. Table 27 shows C_1 or impact factors and Table 27a shows the x and y factors.

Table 27: Impact Factors

Type of Load	C_1
Constant or steady	1.0
Light shocks	1.5
Moderate shocks	2.0
Heavy shocks	3.0 +

Table 27a: Radial and axial factors x and y for determining equivalent bearing load for ball bearings.

F_a/C_{or}	e	$F_a/F_r \leq e$		$F_a/F_r \geq e$	
		x	y	x	y
0.014	0.19	1	0	0.56	2.30
0.028	0.22				1.99
0.056	0.26				1.71
0.084	0.28				1.55
0.11	0.30				1.45
0.17	0.34				1.31
0.28	0.38				1.15
0.42	0.42				1.04
0.56	0.44				1.00

Note: It is not recommended that F_a exceed 1/3 of the basic dynamic load rating (C_r) from table 25. If F_a is greater than or equal to 1/3 of the basic load rating (C_r) from table 25, consult Peer engineering department. In no instances should F_a exceed the bearings static load capacity C_{or} .

2.3 Variable load and speed.

In applications with a constant speed, where the load grows linearly from a minimum value (P_{min}) to a maximum (P_{max}), then drops back to the minimum value, the average load is;

$$P_m = (P_{min} + 2P_{max}) / 3$$

Where P_m = equivalent dynamic bearing load in Lbs.

P_1 = constant load at n_1 RPM for T_1 minutes.

P_2 = constant load at n_2 RPM for T_2 minutes.

P_n = constant load at n_n RPM for T_n minutes.

n = RPM

T = Time

When a bearing is subjected to consecutive runs at different constant speeds and different periods of load application, the ideal constant load P_m can be calculated by: $P_m = ((P_1^3 \times n_1 \times T_1) + (P_2^3 \times n_2 \times T_2) + \dots + (P_n^3 \times n_n \times T_n)) / ((n_1 \times T_1) + (n_2 \times T_2) + \dots + (n_n \times T_n))^{1/3}$

2.4 Life Adjustment Factors, a_1 , a_2 , a_3 for insert ball bearings.

a_1 , Life adjustment factor for reliability.

L10 is the life based upon a 90% or greater survival rate of a group of bearings. When the application requires a higher reliability the a_1 adjustment factor can be obtained from table 28.

Table 28

Reliability %	L_n	Factor a_1
90	L10	1
95	L5	0.62
96	L4	0.53
97	L3	0.44
98	L2	0.33
99	L1	0.21

a_2 , Life adjustment factors for bearing materials.

Adjustments for special bearing steel properties such as low impurity levels, heat treating, etc. is covered under adjustment a_2 . However, per ABMA standard 9-1990 7.4.2, this is not sufficient justification for an a_2 value greater than 1. Therefore, the a_2 factor for Peer insert bearings will remain consistent at 1 as shown in table 29.

Table 29

Bearing Steel	Factor a_2
PEER vacuum degassed 52100 chrome steel	1

a_3 , life adjustment for operating conditions.

The a_3 adjustment factor is the result of any number of operating factors the end user wishes to consider in the life analysis. These include but are not limited to, cleanliness of environment, temperature, viscosity of lubrication, shaft size and alignment. These factors combined reflect the a_3 adjustment factor. However, in calculating the a_3 for insert ball bearings with slip fit shafts and set screw or eccentric locking collars, it is accepted that a_3 will equal 0.456 per ABMA Standard 9-1990 7.5.4. This is the result of the mounting and assembly methods insert bearings with slip fit shafts employ. Since there is normally a slip fit between the bearing bore and shaft diameter for set screw and eccentric locking collar insert bearings, the a_3 will be consistent at 0.456. For Peers' "GR" series Grip-It bearings, which maintain a concentric shaft to bore alignment, the a_3 factor may be increased to 0.800. If the basic dynamic load rating (C_r) used in the L10 or L10h calculation has already been de-rated, there is no need for further de-ration under the a_3 adjustment factor.

The above 3 adjustment factors can be added to the L10 life calculation by the formula; $L_{na} = (a_1 \times a_2 \times a_3) L10$

2.5 Calculating Applied Loads (P):

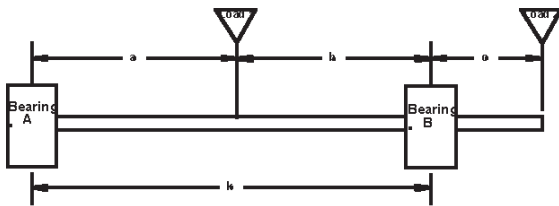
The applied load acting on a bearing is a primary factor in selecting the appropriate bearing and calculating L10 life for a given application. For proper insert bearing selection and L10 life calculations, it is necessary to know the applied load(s) in a given application. These loads may be any one or a combination of the following factors;

1. Weights of components being supported by the bearings.
2. Tightness or tension from chain or belt pressure.
3. Vibration, varying loads or eccentricity of rotation.

To correctly calculate the applied load(s) it is necessary to know the;

1. Amount of the load.
2. Load direction.
3. Distances between support bearings and loads.

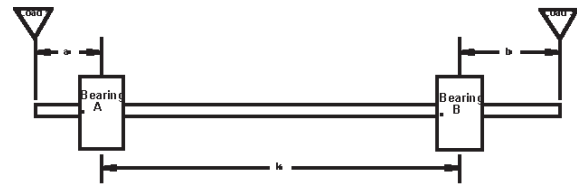
Once these factors are known, one of the following calculations can be employed;



$$\text{Load on Bearing A} = \frac{(\text{Load 1} \times b) - (\text{Load 2} \times c)}{k}$$

$$\text{Load on Bearing B} = \frac{(\text{Load 1} \times a) + (\text{Load 2}) \times (C + K)}{k}$$

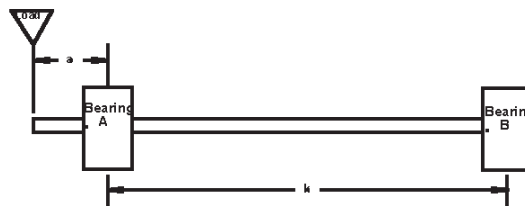
OR



$$\text{Load on Bearing A} = \frac{\text{Load 1} \times (a + k) - (\text{Load 2} \times b)}{k}$$

$$\text{Load on Bearing B} = \frac{(\text{Load 2} \times (k + b) - (\text{Load 1} \times a))}{k}$$

OR



$$\text{Load on Bearing A} = \frac{\text{Load 1} \times (a + k)}{k}$$

$$\text{Load on Bearing B} = \frac{(\text{Load 1} \times a)}{k}$$

Vibratory Loads;

For applications where there is an applied eccentric motion or vibration is designed into the design, it is necessary to calculate the effective force acting on the bearings resulting from this motion. This is calculated through the basic physics law of centrifugal force or "Force = Mass x Acceleration" using the equation

$$F = .000341 \times W \times (R/12) \times (N)^2 \text{ where;}$$

F = load

W = weight of rotating component in lbs.

R = radius of rotation in inches

N = RPM of shaft.

Example: the centrifugal load acting on a bearing operating under a vibratory rotation consisting of 1500 lbs weight with rotation radius of .125"(1/8") at 500 RPM is; $F = .000341 \times 1500 \times .125/12 \times (500)^2 = 1332\text{lbs}$

Limiting Speeds:

Table 30 lists the limiting speeds or maximum allowable RPM a bearing can operate at. The values listed in table 30 represent set screw or eccentric locking collar bearings with slip fit shafts and a 40% - 50% lubricant fill. For "GR" or Grip-It style 360o locking bearing or bearings with press fit shafts, these values can be increased 30% or multiplied by a value of 1.3.

Speed limits are greatly influenced by the bearings seal design and therefore, the more seal contact the lower the allowable maximum speed rating. All limiting speeds are based on horizontally mounted shafts and radial loads.

Table 30:

Ring Size	Shaft Size	"Z" Shield	"R" seal	"RST" Seal	"Y" Seal	"DBL" Seal	"TRL" Seal
201-203	1/2	7300	6500	6500	1950	1463	650
	12mm	7300	6500	6500	1950	1463	650
	9/16	7300	6500	6500	1950	1463	650
	5/8	7300	6500	6500	1950	1463	650
	15mm	7300	6500	6500	1950	1463	650
	11/16	7300	6500	6500	1950	1463	650
204	17mm	7300	6500	6500	1950	1463	650
	3/4	7300	6500	6500	1950	1463	650
	13/16	7300	6500	6500	1950	1463	650
205	20mm	7300	6500	6500	1950	1463	650
	13/16	6500	5850	5850	1755	1316	585
	7/8	6500	5850	5850	1755	1316	585
	15/16	6500	5850	5850	1755	1316	585
	1	6500	5850	5850	1755	1316	585
206 (X05)	25mm	6500	5850	5850	1755	1316	585
	1 1/16	5500	5000	5000	1500	1125	500
	1 1/8	5500	5000	5000	1500	1125	500
	1 3/16	5500	5000	5000	1500	1125	500
	1 1/4 (s)	5500	5000	5000	1500	1125	500
207 (X06)	30mm	5500	5000	5000	1500	1125	500
	1 1/4	4700	4300	4300	1290	968	430
	1 5/16	4700	4300	4300	1290	968	430
	1 3/8	4700	4300	4300	1290	968	430
	1 7/16	4700	4300	4300	1290	968	430
208 (X07)	35mm	4700	4300	4300	1290	968	430
	1 1/2	4200	3750	3750	1125	844	375
	1 9/16	4200	3750	3750	1125	844	375
	40mm	4200	3750	3750	1125	844	375
209 (X08)	1 5/8	3800	3400	3400	1020	765	340
	1 11/16	3800	3400	3400	1020	765	340
	1 3/4	3800	3400	3400	1020	765	340
	45mm	3800	3400	3400	1020	765	340
210 (X09)	1 15/16	3600	3300	3300	990	743	330
	2 (s)	3600	3300	3300	990	743	330
	50mm	3600	3300	3300	990	743	330
211 (X10)	2	3300	3000	3000	900	675	300
	2 1/8	3300	3000	3000	900	675	300
	2 3/16	3300	3000	3000	900	675	300
	55mm	3300	3000	3000	900	675	300
212 (X11)	2 1/4	3000	2700	2700	810	608	270
	2 3/8	3000	2700	2700	810	608	270
	2 7/16	3000	2700	2700	810	608	270
	60mm	3000	2700	2700	810	608	270
213 (X12)	2 1/2	2600	2350	2350	705	529	235
	2 9/16	2600	2350	2350	705	529	235
	65mm	2600	2350	2350	705	529	235
214 (X13)	2 5/8	2500	2250	2250	675	506	225
	2 11/16	2500	2250	2250	675	506	225
	2 3/4	2500	2250	2250	675	506	225
	70mm	2500	2250	2250	675	506	225
215 (X14)	2 7/8	2300	2100	2100	630	473	210
	2 15/16	2300	2100	2100	630	473	210
	3	2300	2100	2100	630	473	210
	75mm	2300	2100	2100	630	473	210

PEER Mounted Unit Interchange All Shown in 1" Sizes

	PEER	AMI	BROWNING	DODGE	FAFNIR
Pillow Blocks	UCP205-16	UCP205-16	VPS 216	P2B-SC-100	YAS 1
	UCLP205-16	UCLP205-16	VPLS 216	P2B-SCB-100	YAK 1
	UCPX05-16	UCPX05-16	VPS 316	P2B-SCM-100	—
	HCP205-16	UGP205-16	VPE 216	P2B-SXR-100	RAS 1
	HCLP205-16	UGLP205-16	VPLE 216	P2B-SXRB-100	RAK 1
	GRP205-16	—	VPB-216	P2B-DL-100	—
	GRLP205-16	—	VPLB-216	P2B-DLB-100	—
	FHSP205-16G	BP205-16	VPS 116	P2B-VSC-100	SAS 1
	FHP205-16G	KHP205-16	VPE 116	P2B-SXV-100	VAS 1
	FHSLP205-16G	BLP205-16	VPLS 116	P2B-VSCB-100	SAK 1
	FHLP205-16G	KHLP205-16	VPLE 116	P2B-SXVB-100	VAK 1
	FHSPWC205-16G	BLLP5-16	VPS 116	—	—
	FHPWC205-16G	KHLLP205-16	—	—	—
	FHSPW205-16G	BPW205-16	VPS 116M	—	—
	FHPW205-16G	KHPW205-16	VPE 116M	—	—
	UCPA205-16	—	—	—	—
	UCPAS205-16	UCTB205-16	VTBS 217	TB-SC-100	YTB 2
	FHSRZ205-16	BPR5-16	SSRPS 116	—	—
	FHPRZ205-16	KHPR205-16	SSRPE 116	—	RPB 1
	FHSPPZ205-16	BPP5-16	SSPS 116	P2B-SL-100	—
FHPPZ205-16	KHPP205-16	SSPE 116	P2B-SLX-100	PB 1	
FHSPBPFLZ205-16	—	—	—	—	
FHPBPFLZ205-16	—	—	—	PBS 1	
4-Bolt Flanges	UCF205-16	UCF205-16	VF4S 216	F4B-SC-100	YCJ 1
	UCFX05-16	UCFX05-16	VF4S 316	F4B-SCM-100	—
	HCF5205-16	UGSLF205-16	VF4E 216	F4B-SXR-100	RCJ 1
	GRF205-16	—	VF4B-216	F4B-DL-100	—
	FHSF205-16G	BF205-16	VF4S 116	F4B-VSC-100	SCJ 1
	FHF205-16G	KHF205-16	VF4E 116	F4B-SXV-100	VCJ 1
	FHSFJ205-16G	—	—	—	—
	FHF4X208-24	—	—	—	—
	HCF4X208-24	—	—	—	—
	UCF205-16	UCFC205-16	—	—	—
3-Bolt Flanges	UCFB205-16	UCFB205-16	—	FB-SC-100	—
	GRFB205-16	—	—	—	—
	FHSF3X205-16G	BTM205-16	VF3S 116	LF-SC-100	GSFD 1
	FHF3X205-16G	KHTM205-16	VF3E 116	LF-SXV-100	GVFD 1
	FHSF3C205-16	—	—	—	—
	FHF3C205-16	—	—	—	—
	FHSPFZ205-16	BPF5-16	SSF3S 116	F3B-SL-100	—
	FHSPFFZ208-24	—	SSF4S 124	F4B-SL-124	—
	FHPFZ205-16	KHPF205-16	SSF3E 116	F3B-SLX-100	—
	FHPFFZ208-24	—	SSF4E 124	F4B-SLX-124	—
FHSPFTZ205-16	BPF5-16	SSF3TS	—	—	
FHPFTZ205-16	KHPFT205-16	SSF3TE 116	—	RATR 1	
2-Bolt Flanges	UCFT205-16	UCFT205-16	VF2S 216	F2B-SC-100	YCJT 1
	UCFTX05-16	UCFLX05-16	VF2S 316	F2B-SCM-100	YCJTM 1
	HCFTS205-16	UGFJT205-16	VF2E 216	F2B-SXR-100	RCJT 1
	GRFT205-16	—	VF2B-216	F2B-DL-100	—
	FHSFT205-16G	BFT205-16	VF2S 116	F2B-VSC-100	SCJT 1
	FHFT205-16G	KHFT205-16	VF2E 116	F2B-SXV-100	VCJT 1
	FHFTJ205-16G	—	VF2E 116	—	VCJT 1
	FHSLF205-16G	BLFL5-16	—	—	—
	FHLF205-16G	KHLFL205-16	—	—	—
	FHSFD205-16G	—	—	—	—
	FHFD205-16G	—	—	—	—
	FHSFLCTQ205-16G	BLCTE205-16	—	—	—
	FHFLCTQ205-16G	KHLCTE205-16	—	—	FLCT 1
	FHSFX205-16G	BFX205-16	VF2S 116M	LFT-SC-100	GSFTD 1
	FHFX205-16G	KHFX205-16	VF2E 116M	—	GVFTD 1
	FHSPFLZ205-16	BPFL5-16	SSF2S-116	F2B-SL-100	—
	FHPFLZ205-16	KHPFL205-16	SSF2E-116	F2B-SLX-100	RAT 1
	FHSR205-16-4X730	—	—	—	—
	FHR205-16-4X730	—	—	—	—
	FHSR205-16-2FM	—	—	—	—
FHSR205-16-2NCFM	—	—	—	—	
RCSMRFZ-16S	—	—	—	—	
RCSMRFZ-16L	—	—	—	—	

HUB CITY	IPTCI	LINK BELT	NTN	SKF	SEAL MASTER
—	UCP205-16	P3-U216N	UCP205-100T	SY 1 TM	NP-16
—	UCPL205-16	PL3-U216N	UCPL205-100T	—	NPL-16
—	UCPX05-16	—	UCPX05-100T	SYM 1 TM	MP-16
—	NAP205-16	P3-Y216N	UELP205-100T	—	RP-16E
—	NAPL205-16	PL3-Y216N	UELPL205-100T	SYH 1 WM	RPL-16E
—	—	—	—	—	NP-16T
—	—	—	—	—	NPL-16T
PB251-1	SBP205-16G	—	—	—	VP-16
PB221-1	SAP205-16G	P3-W216U	—	SY 1 FM	VP-16E
PB250-1	SBPL205-16G	—	—	—	VPL-16
PB220-1	SAPL205-16G	PL3-W216U	—	SYH 1 FM	VPL-16E
PB100/150-1	SBLP205-16G	—	—	—	—
—	SALP205-16	—	—	—	—
—	—	—	—	—	LP-16
—	—	—	—	—	LP-16E
—	—	—	—	—	—
—	UCPA205-16	PT3-U216N	UCUP205-100T	—	TB-17
—	—	—	ASRPP205-100	—	LRP-16
—	—	—	—	SR 1 FM	—
PB100-1	—	—	ASPP205-100	—	SSP-16
—	—	—	AELPP205-100	S 1 FM	SSP-16E
—	—	—	—	—	—
—	—	—	—	—	—
—	UCF205-16	F3-U216N	UCF205-100T	FY 1 TM	SF-16
—	UCFX05-16	—	UCFX205-100T	FYM 1 TM	MSF-16
—	NANF205-16	F3Y216N	UELFU205-100T	FY 1 WM	RF-16E
—	—	—	—	—	SF-16T
FB250-1	SBF205-16	—	—	—	VF-16
FB220-1	SAF205-16G	F3-W216U	—	FY 1 FM	VF-16E
—	—	—	—	FYW 1 FM	—
—	—	—	—	—	—
—	—	—	—	—	—
—	UCFC205-16	—	UCFC205-100	—	—
—	UCFB205-16	FB3-U216N	UCFH205-100T	—	FB-16
—	—	—	—	—	FB-16T
FB150-1	SBRFB205-16G	—	—	—	LF-16
—	SARFB205-16G	F-WG216U	—	—	LF-16E
—	—	—	—	—	—
—	—	—	—	—	—
FB-100-1	—	—	ASPF205-100	—	SSF-16
—	—	—	—	—	SSFF-24
—	—	—	AELPF205-100	F 1 FM	SSF-16E
—	—	—	—	—	SSFF-24E
—	—	—	—	—	TSSF-16
—	—	—	—	—	TSSF16-E
—	UCFL205-16	FX3-U216N	UCFL205-100T	FYT 1 TM	SFT-16
—	—	—	UCFLX05-100T	—	MSFT-16
—	NANFL205-16	FX3Y216N	UELFLU205-100T	FYT 1 WM	RFT-16E
—	—	—	—	—	SFT-16T, TFF-16T
FB260-1	SBFL205-16G	—	—	—	VFT-16
FB230-1	SAFL205-16G	FX3-W216U	—	FYT 1 FM	VFT-16E
—	—	—	—	—	VFT-16E
—	SBLF205-16G	—	—	—	—
—	SALF205-16G	—	—	—	—
—	—	—	—	—	—
—	—	—	ASFD205-100	—	—
—	—	—	JELFD205-100	—	—
—	—	—	—	—	—
—	—	—	—	—	—
FB110/160-1	SBLF205-16GH4	—	—	—	LFT-16
—	SALF205-16GH4	FX-WG216U	—	—	LFT-16E
FB100-1	—	—	ASPFL205-100	—	SSFT-16
—	—	—	JELPFL205-100	FT 1 FM	SSFT-16E
—	—	—	—	—	—
—	—	—	—	—	—
—	—	—	—	—	—
—	—	—	—	—	—
—	—	—	—	—	—
—	—	—	—	—	SRF-16
—	—	—	—	—	—

PEER Mounted Unit Interchange All Shown in 1" Sizes

	PEER	AMI	BROWNING	DODGE	FAFNIR
Rubber Cartridge Units	FHSBR205-16	---	---	---	---
	FHBR205-16	---	---	---	RABR 1
	LCR-16	---	---	---	---
	LRCR-16	---	---	---	LRCR 1
	RCR-16	---	---	---	RCR 1
	RCSM-16S	---	RUBRS 116	---	---
	RCSM-16L	---	RUBRE 116	---	RCSM 1
	LRCSM-16L	---	---	---	LRCSM 1
	RCSM-16-UCR	---	---	---	---
RCSM-16-GRR	---	---	---	---	
Take-Up Units	UCT205-16	UCST205-16	VTWS 216	WSTU-SC-100	YTU 1
	GRT205-16	---	---	WSTU-DLM-100	---
Hanger Units	UCHA205-16	UCECH205-16	---	SCHB-SC-100	RHC 1
	GRHA205-16	---	---	---	---
Cylindrical Cartridge	UCC205-16	UCLC205-16	---	CYL-SC-100	RC 1
	GRC205-16	---	---	---	---
Insert Bearings	UC205-16	UC205-16	VS 216	INS-SC-100	GY1100KRRB
	UC205-16-TRL	---	---	---	GY1100KPPB3
	UCX05-16	UCX05-16	VS 316	INS-SCM-100	GYM100KRRB
	HC205-16	UG205-16	VE 216	INS-SXR-100	G1100KRRB
	HC205-16-TRL	---	---	---	G1100KPPB3
	HCR205-16	---	---	---	G1100KRRR
	GR205-16	---	VB-216	INS-DL-100	---
	GR205-16-ZSFF	---	---	---	---
	SER-16	SER205-16	VER 216	---	ER-16
	SER-16-ZSFF	---	---	---	---
	SER-16-ZMKFF	---	---	---	---
	GER-16	---	---	---	---
	GER-16-ZSFF	---	---	---	---
	GER-16-ZMKFF	---	---	---	---
	FHS205-16	B5-16	LS 116	---	YA100RRB
	FHS205-16G	B5-16	VS 116	INS-VSC-100	GYA100RRB
	FHSR205-16	BR5-16	SLS 116	INS-CC-100	YA100RR
	FH205-16	KH205-16	LE 116	INS-SLX-100	RA100RRB
	FH205-16G	KH205-16	VE 116	INS-SXV-100	GRA100RRB
	FHR205-16	KHR205-16	SLE 116	---	RA100RR
FHRL6005-16	---	---	---	---	
FHL6005-16	---	---	---	RAL100NPPB	
Corrosion Resistant All Stainless Steel	SSUCP205-16	MUCP205-16	---	---	---
	SSUCPAS205-16	---	---	---	---
	SSUCF205-16	---	---	---	---
	SSUCFB205-16	---	---	---	---
	SSUCFT205-16	MUCFL205-16	---	---	---
	SSUCHA205-16	---	---	---	---
	SSUCT205-16	---	---	---	---
Stainless Insert Thermoplastic Housing	SUCP205-16-PBT	MUCPPL205-16	---	P2B-SCEZ-100-PCR	YAS 1 PT
	SUCPAS205-16-PBT	MUCTBL205-16	---	TB-SCEZ-100-CR	STB 1
	SUCF205-16-PBT	MUCFPL205-16	---	F4B-SCEZ-100-PCR	YCJ 1 PT
	SUCFB205-16-PBT	MUCFBL205-16	---	FB-SCEZ-100-CR	---
	SUCFT205-16-PBT	MUNCFL205-16	---	F2B-SCEZ-100-PCR	YCJT 1 PT
	SUCT205-16-PBT	MUCTPL205-16	---	NSTU-SCEZ-100-CR	---
	SUCHA205-16-PBT	MUCHPL205-16	---	---	---
Zinc Insert Thermoplastic Housing	ZUCP205-16-PBT	UCPPL205-16-MZ	---	P2B-SCTC-100-CR	YAS 1 NT
	ZUCPAS205-16-PBT	UCTBL205-16-MZ	---	TB-100-SC	---
	ZUCF205-16-PBT	UCFPL205-16-MZ	---	F4A-SCTC-100-CR	YCJ 1 NT
	ZUCFB205-16-PBT	UCFBL205-16-MZ	---	FB-SCEZ-100-NY	---
	ZUCFT205-16-PBT	UNCFL205-16-MZ	---	F2B-SCTC-100-CR	YCJT 1 NT
	ZUCT205-16-PBT	UCTPL205-16-MZ	---	NSTU-100-SCNP	---
	ZUCHA205-16-PBT	UCHPL205-16-MZ	---	---	---
Corrosion Resistant Inserts	UC205-16-BLK	---	---	---	---
	SUC205-16	MUC205-16MZ	---	---	---
	ZUC205-16	UC205-16MZ	---	---	---
	SSER205-16	MSER205-16	---	---	---
	ZSER205-16	---	---	---	---

HUB CITY	IPTCI	LINK BELT	NTN	SKF	SEAL MASTER
—	—	—	—	—	—
—	—	—	—	G 1 FM	—
—	—	—	—	—	—
—	—	—	—	—	—
—	—	—	—	—	—
—	—	—	—	—	SRC-16
—	—	—	—	R 1 FM	—
—	—	—	—	—	—
—	—	—	—	—	—
WSTU250-1	UCT205-16	TH3-U200N	UCT205-100T	TBY 1 TM	SF-16 ST-16T
—	—	—	—	—	—
—	UCHA205-16	—	UCHB205-100T	—	SEHB-16
—	—	—	—	—	—
—	—	—	UELC205-100T	—	SC-16
—	—	—	—	—	—
YW250-1	UC/UCW205-16	UG216NL	UC205-100D1	YAR205-100	2-1
—	UC205-16L3	UG216E3	—	—	—
B350-1	UCX05-16	—	UCX05-100D1	YAR206-100	3-1
YW220-1	NA/NAW205-16	YG216NL	UEL205-100D1	YEL205-100	R-16E
—	NA205-16L3	YG216E3	YEL 205-100C	—	—
—	—	—	YET 205-100W	YEL205-100C	—
—	—	—	—	—	2-1T
—	—	—	—	—	2-1TLO, 2-1TXLO
—	ER205-16	—	VCS205-100D1NR	—	ER-16
—	—	—	—	—	—
—	—	—	—	—	—
—	—	—	—	—	ER-16T
—	—	—	—	—	ERX-16TLO, ERX-16TXLO
—	—	—	—	—	—
B250-1	SB205-16N	S216EL	AS205-100	—	L-16
B250-1	BB205-16G	SG216EL	AS205-100D1	YAT205-100	V-16
—	CSB205-16N	—	ASS205-100N	—	SL-16
B220-1	SA205-16N	W216UL	AEL205-100	YET205-100W	L-16E
B220-1	SA205-16G	WG216UL	AEL205-100N	YET205-100	V-16E
—	CSA205-16N	WB216-UL	AELS205-100N	YET205-100CW	SL-16E
—	—	—	—	—	—
—	—	—	—	—	—
—	SUCSP205-16	—	—	—	—
—	SUCSPA205-16	—	—	—	—
—	SUCSF205-16	—	—	—	—
—	SUCSFB205-16	—	—	—	—
—	SUCSFL205-16	—	—	—	—
—	SUCSHA205-16	—	—	—	—
—	SUCST205-16	—	—	—	—
—	—	—	—	—	—
—	SUCTP205-16	—	—	SY 1 TR	BP-16
—	SUCTPA205-16	—	—	—	TBC-16
—	SUCTF205-16	—	—	FY 1 TR	BF-16
—	SUCTFB205-16	—	—	—	BFB-16
—	SUCTFL205-16	—	—	FYTB 1 TR	BFT-16
—	—	—	—	—	—
—	—	—	—	—	—
—	CUCTP205-16	—	—	—	NP-16-CR
—	CUCTPA205-16	—	—	—	—
—	CUCTF205-16	—	—	—	SF-16-CR
—	CUCTFB205-16	—	—	—	FB-16-CR
—	CUCTFL205-16	—	—	—	SFT-16-CR
—	—	—	—	—	—
—	—	—	—	—	—
—	BUC205-16	—	—	—	—
—	SUC205-16	—	—	—	—
—	CUC205-16	—	—	—	—
—	SSER205-16	—	—	—	—
—	—	—	—	—	—

Interchange Note: This Interchange is for comparison only. It is based on competitor catalog information available at the time of publication. Inspection and measurement of actual samples or manufacturer's drawings is required to determine if critical dimensions or features meet the user's requirements.

Engineering



PEER's Sales and Engineering Offices

USA

PEER Bearing Headquarters
2200 Norman Drive
Waukegan, IL 60085
USA
Ph: 1 847 578 1000
info@peerbearing.com

China

PEER China — SPZ
Rm 2306 Fortune Times Building #1438 North
Shaanxi Road Putuo District, Shanghai,
China
Ph: +86 21 61484816
sales@peerchina.com

Italy

PEER Bearing S.R.L.
Via Paolo Nanni Costa, 12/3 A
40133 Bologna
Italy
Europe.info@peerbearing.com

Germany

PEER Bearing GmbH
Mainzer Landstraße 47
60329 Frankfurt am Main
Germany
Ph: +49 (0) 69 95 92 54 90
Europe.info@peerbearing.com

Brazil

Alameda Mamoré, 535-cj. 408/410
Alphaville—Barueri—SP Brazil
CEP 06454-040
Ph: +55 11 4166 5650
LAM.info@peerbearing.com

United Kingdom

Unit 6, Chelworth Park
Chelworth Road
Cricklade, Wiltshire
SN6 6HE, England
Ph: +44 (0) 1793 759459
Europe.info@peerbearing.com



PEER's USA Headquarters

PEER's World-Wide Manufacturing Facilities



PEER Ball Bearing Factory, Xinchang, Zhejiang, China



PEER Tapered Bearing Factory, Changshan, Zhejiang, China

Distributed by:



USA Headquarters
2200 Norman Drive
Waukegan, IL 60085
Tel: 847-578-1000
Fax: 847-578-1200
e-mail: info@peerbearing.com
www.peerbearing.com

Proud Member of:



Mounted Ball Bearing Units

